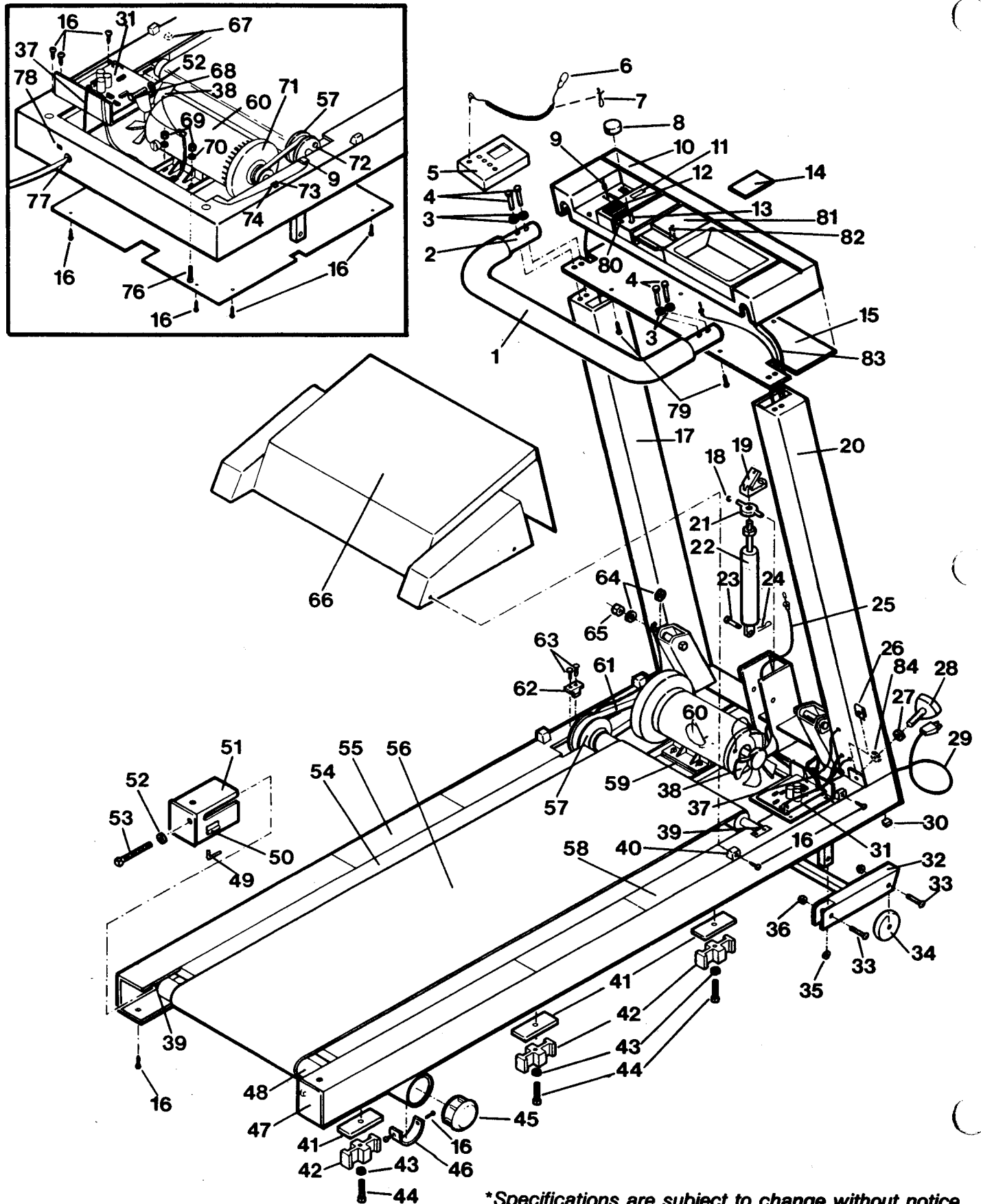


EXPLODED DRAWING - Model No. TL8.0

REV. 4/89



*Specifications are subject to change without notice.

PART LIST - Model No. TL8.0

REV. 4/89

Key No.	Qty.	Description	Key No.	Qty.	Description
1	1	Handrail Foam Grip	44	6	Support Bolt
2	1	Handrail	45	2	Leg End Cap
3	4	Handrail Washer	46	2	Rubber Pad
4	4	Handrail Bolt	47	1	Right Belt Adjustment Bracket
5	1	Electronic Monitor	48	1	Rear Roller
6	1	Pulse Monitor Clip	49	1	Allen Wrench
7	1	Wire Clip	50	1	Self-adhesive Tool Clamp
8	1	Speed Control Knob	51	1	Belt Adjustment Bracket (L)
9	1	Sensor Wire	52	3	Washer
10	1	Console	54	1	Wood Platform
11	1	Incline Bubble Level	55	2	Grip Tape
12	1	Incline Control Lever	56	1	Walking Belt
13	1	Potentiometer Assembly	57	1	Front Roller w/Pulley
14	2	Safety Card	58	1	Frame
15	1	Console Cover	59	1	Motor Mount Spacer
16	23	Screw	60	1	Motor
17	1	Left Handrail Post	61	1	V-Belt
18	1	E-Clip	62	2	Roller Lock
19	1	Lift Cylinder Release	63	4	Roller Lock Bolt
20	1	Right Handrail Post	64	4	Pivot Washer
21	1	Shock Mount Bracket	65	2	Pivot Nut
22	1	Lift Cylinder	66	1	Motor Hood
23	1	Cylinder Pin	67	6	Platform Bumper
24	1	Cotter Pin	68	1	Front Adjustment Bolt
25	1	Incline Cable	69	4	Motor Mount Nut
26	2	U-Nut	70	4	Motor Mount Washer
27	2	Upright Knob Washer	71	1	Flywheel
28	2	Handrail Locking Knob	72	1	Magnet
29	1	Power Cord	73	4	Cable Tie
30	2	Rubber Bumper	74	4	Cable Mount
31	1	Controller	75	1	Safety Cover
32	1	Incline Leg	76	4	Motor Mount Bolt
33	4	Leg Bolt	77	1	Grommet
34	2	Wheel	78	1	Circuit Breaker
35	2	Nylon Washer	79	4	Console Screw
36	4	Lock Nut	80	1	Round Indicator Light
37	1	Extension Wire	81	1	Safety Switch Paddle
38	1	Fan	82	1	On/Off Switch
39	4	Roller Bushing	83	1	On/Off Switch Wire
40	4	Hood Mount Anchor	84	2	Push Nut
41	6	Rubber Fitting	#	1	Owner's Manual
42	6	Support Block	#	1	Electronics Operation Guide
43	6	Support Washer			

See the back cover of this manual for information on ordering replacement parts.