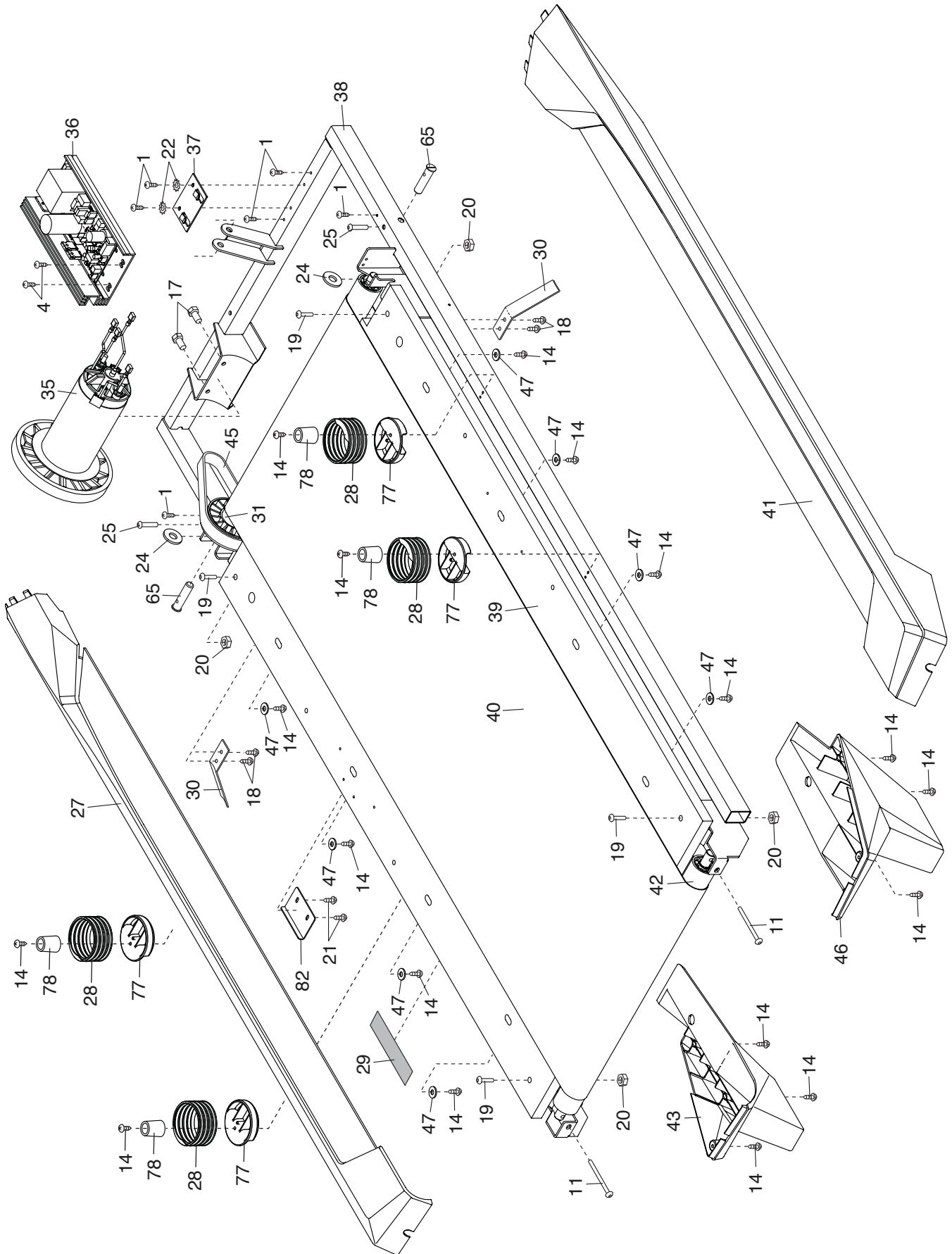


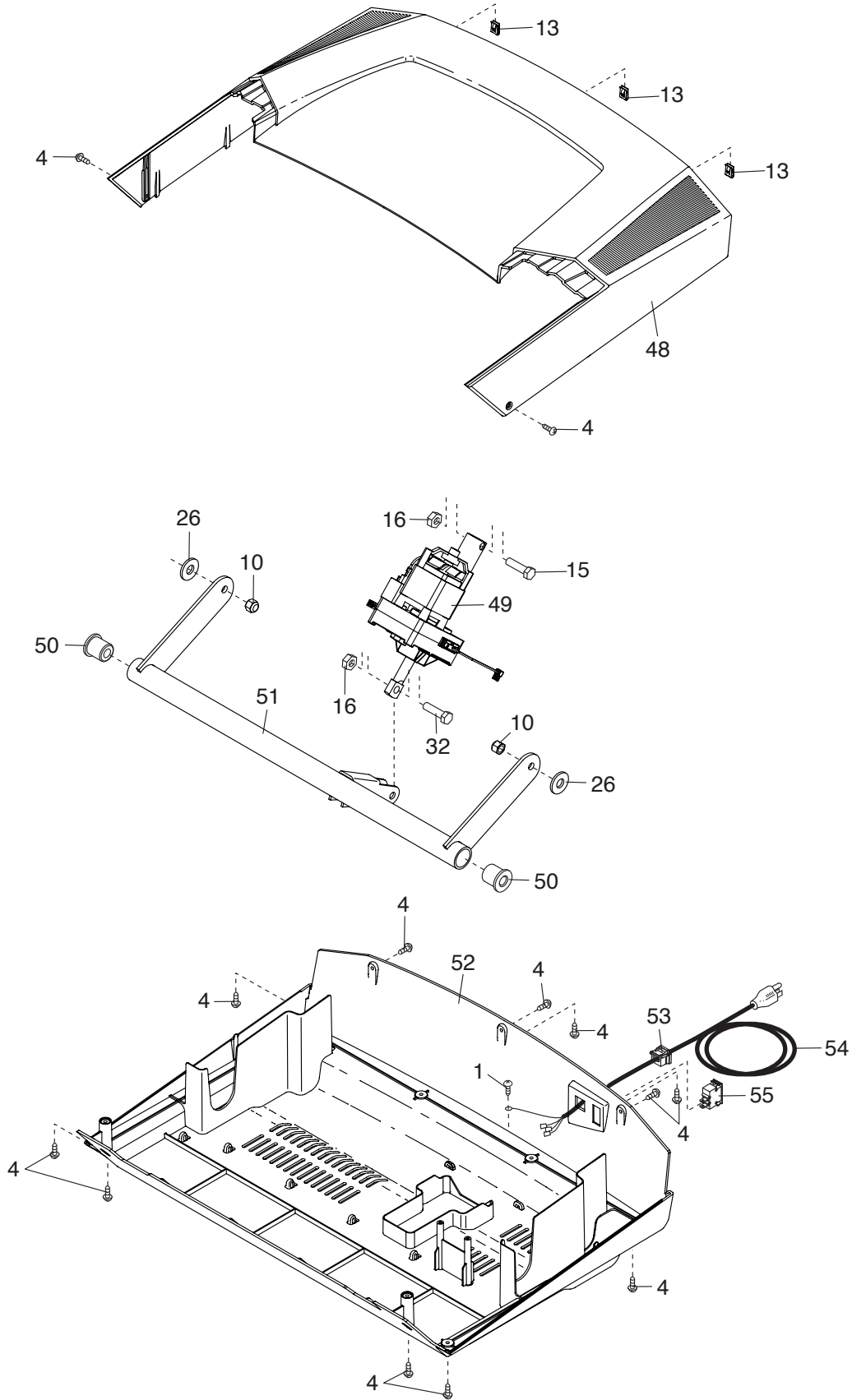
# EXPLODED DRAWING A

Model No. TLTL59113.0 R0114A



# EXPLODED DRAWING B

Model No. TLTL59113.0 R0114A



# EXPLODED DRAWING C

Model No. TLTL59113.0 R0114A

