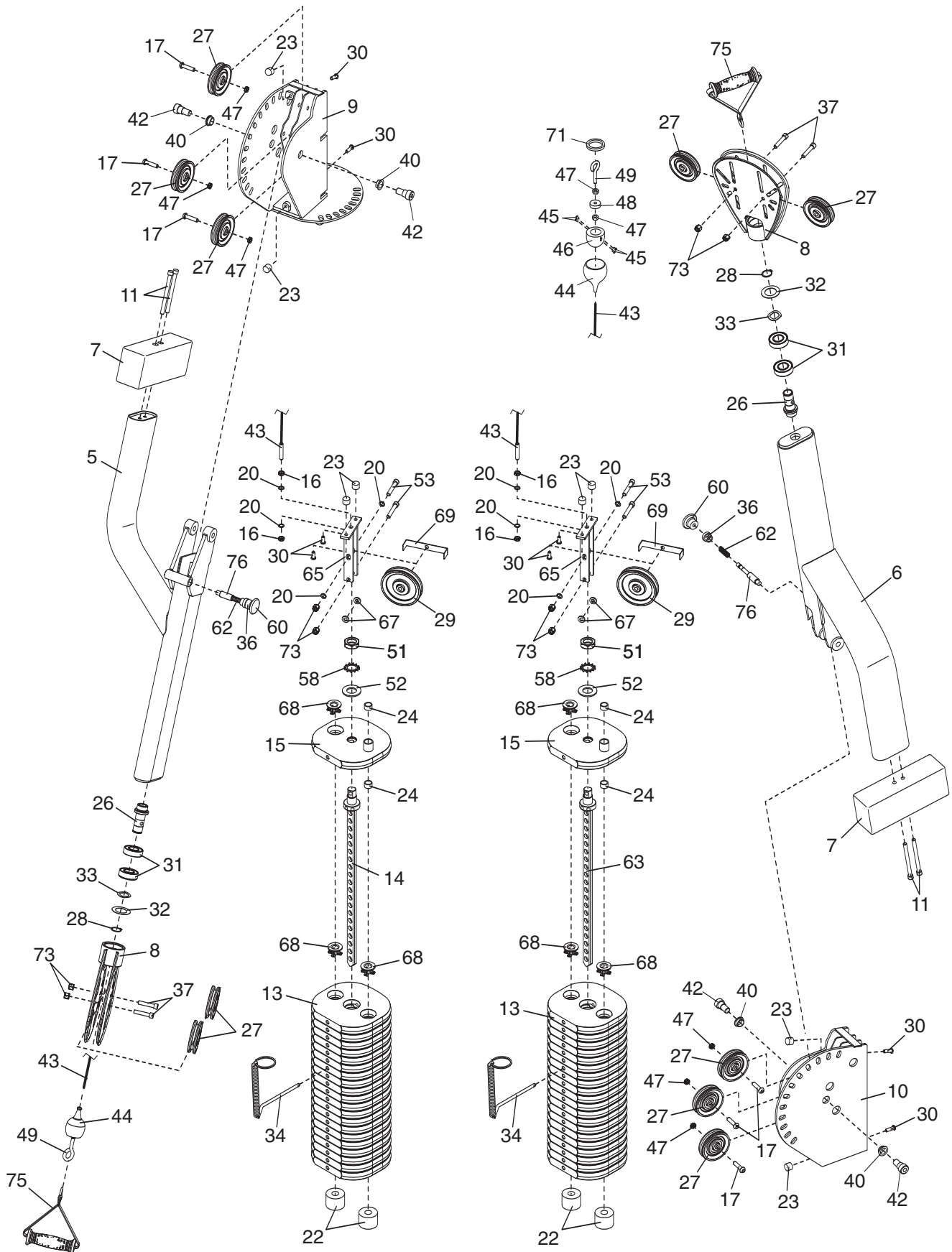


# EXPLODED DRAWING A—Model No. VFMCS4007.0

R1107A



# EXPLODED DRAWING B—Model No. VFMCS4007.0

R1107A

