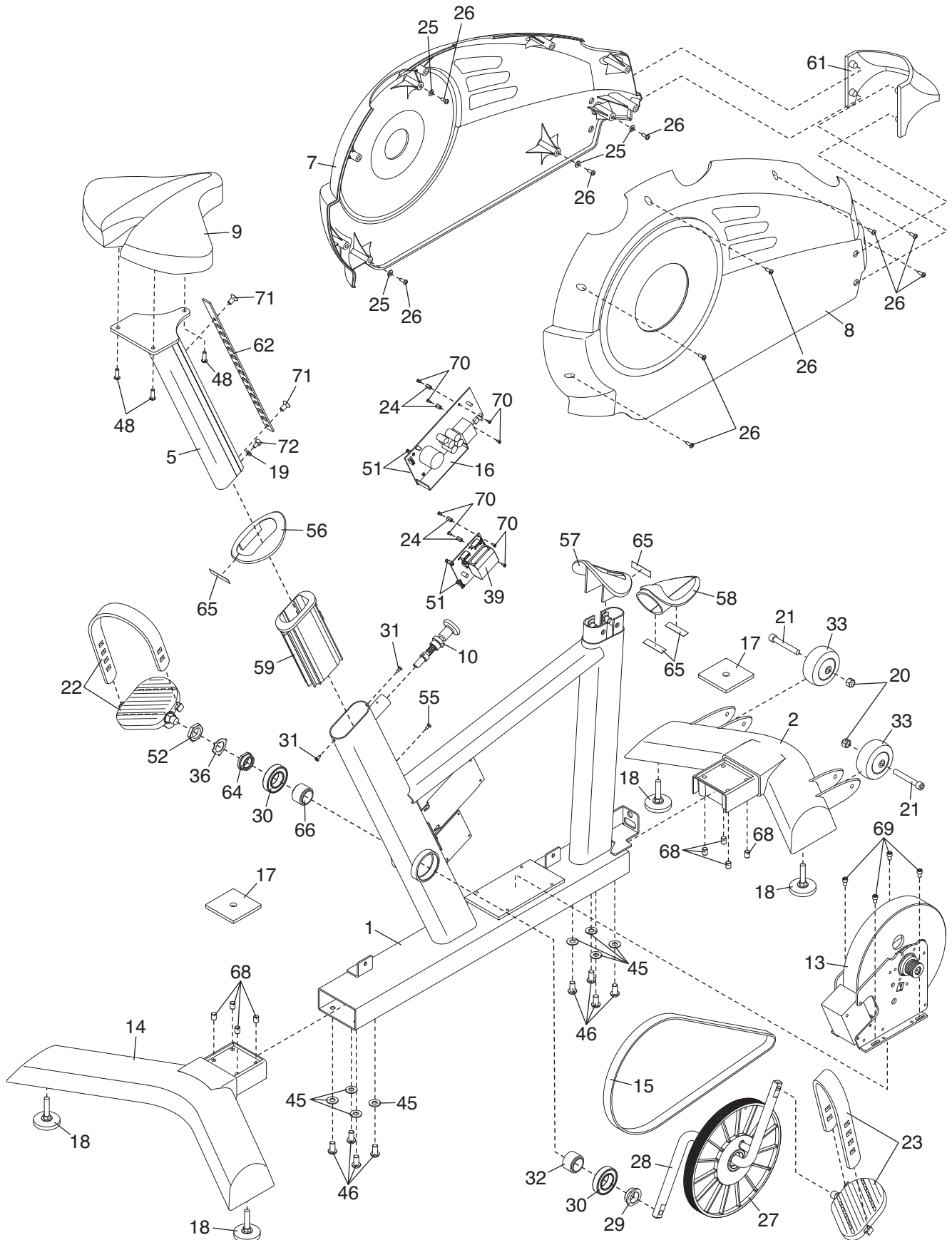


# EXPLODED DRAWING A

Model No. VMEX2107.1 R0111A



# EXPLODED DRAWING B

Model No. VFMEX2107.1 R0111A

