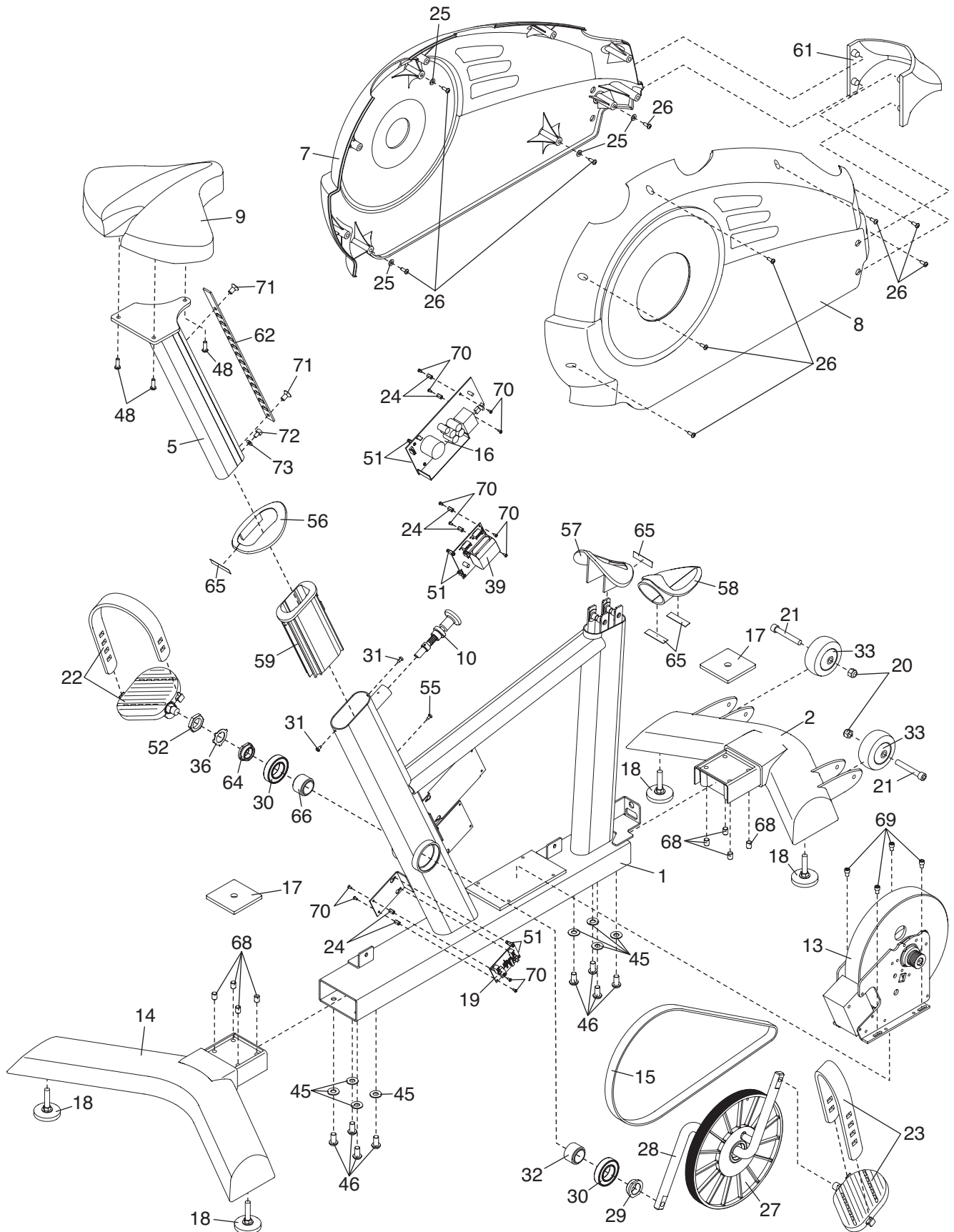


EXPLODED DRAWING A—Model No. VFMEX2107.0

R0208A



EXPLODED DRAWING B—Model No. VFMEX2107.0

R0208A

