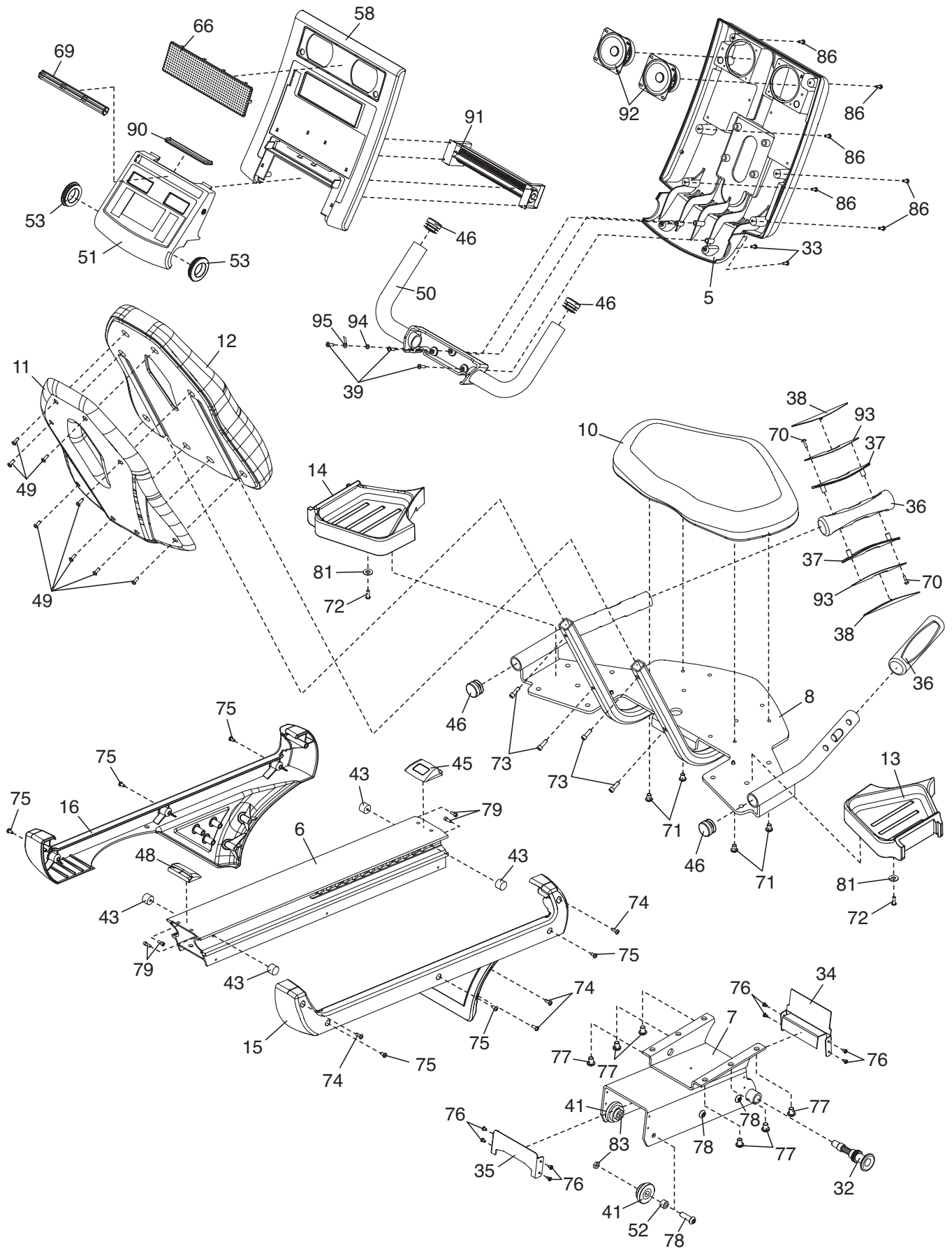


# EXPLODED DRAWING A—Model No. VFMEX3107.0

R0208A



# EXPLODED DRAWING B—Model No. VFMEX3107.0

R0208A

