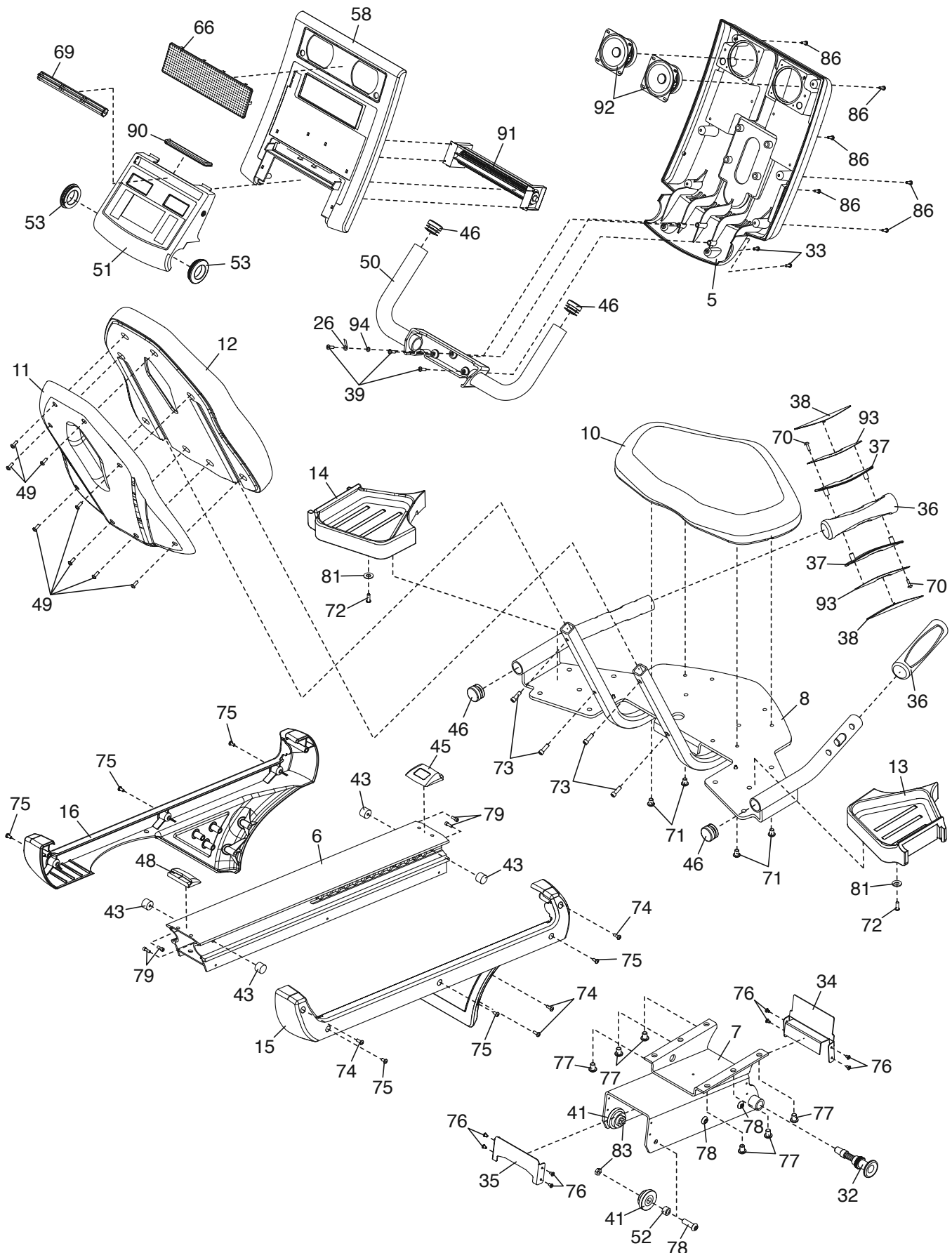


EXPLODED DRAWING A

Model No. VFME3107.1 R0112A



EXPLODED DRAWING B

Model No. VFME3107.1 R0112A

