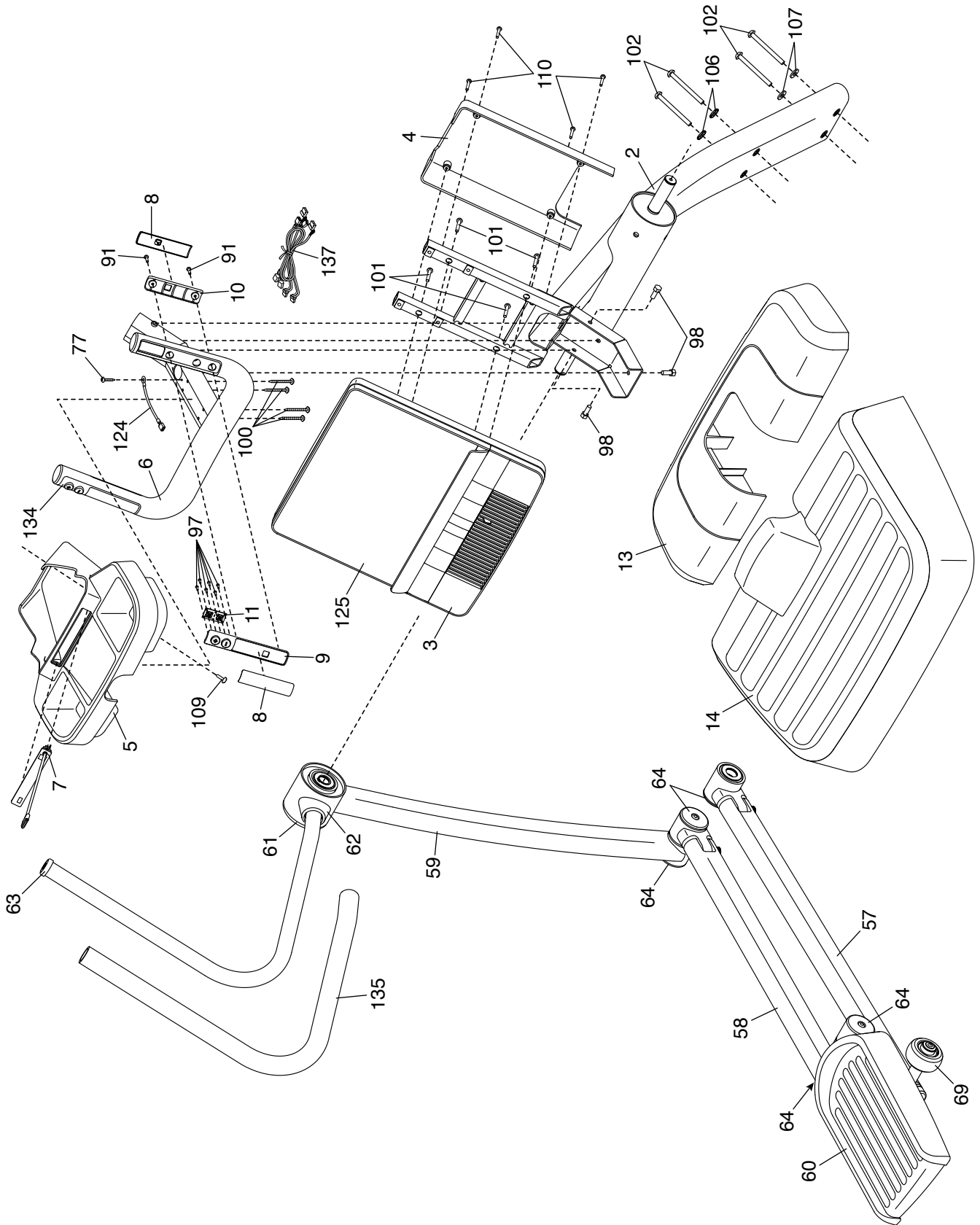


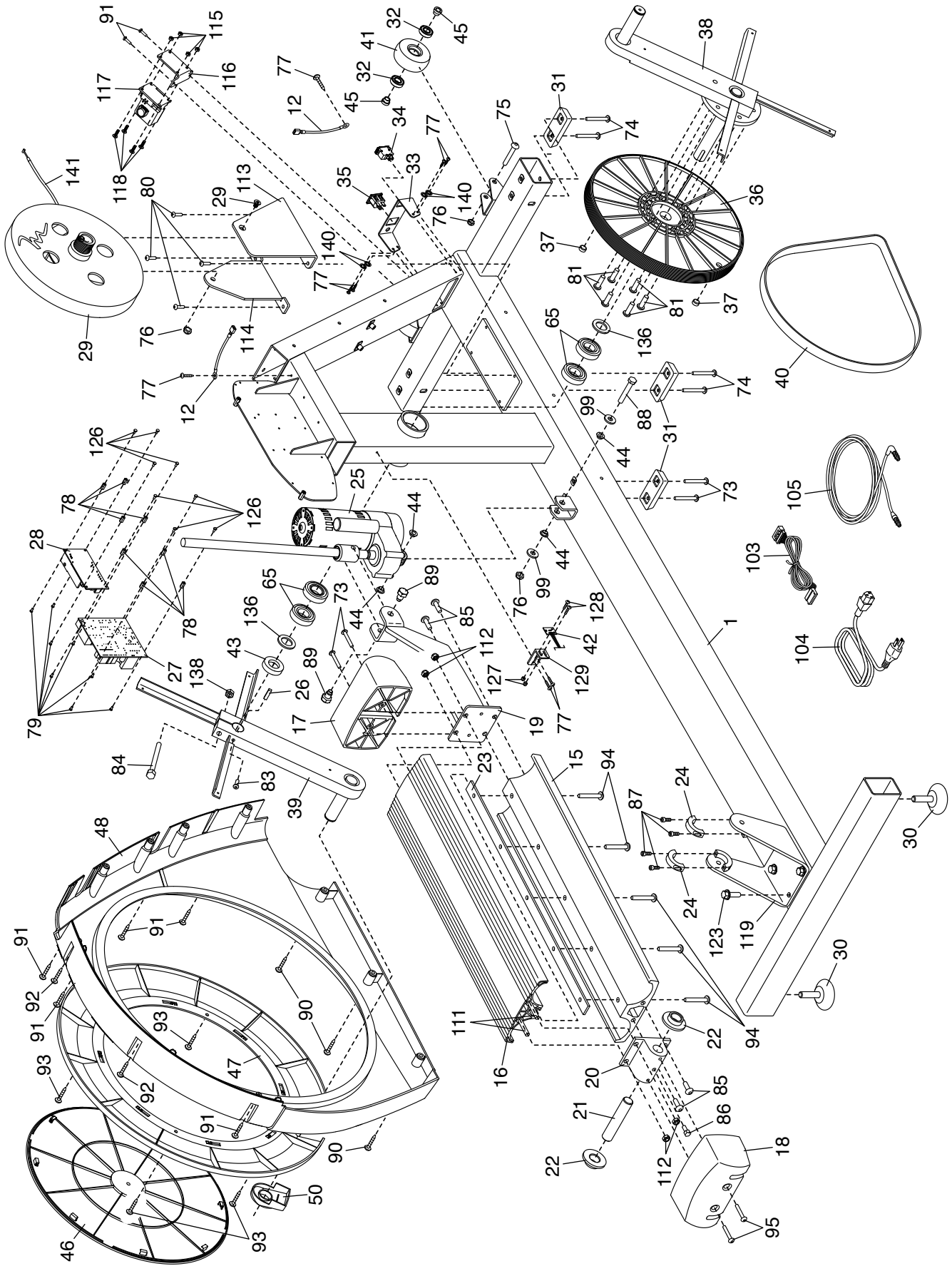
EXPLODED DRAWING A

Model No. VMEL81911.4 R0714A



EXPLODED DRAWING B

Model No. VMEL81911.4 R0714A



EXPLODED DRAWING C

Model No. VMEL81911.4 R0714A

