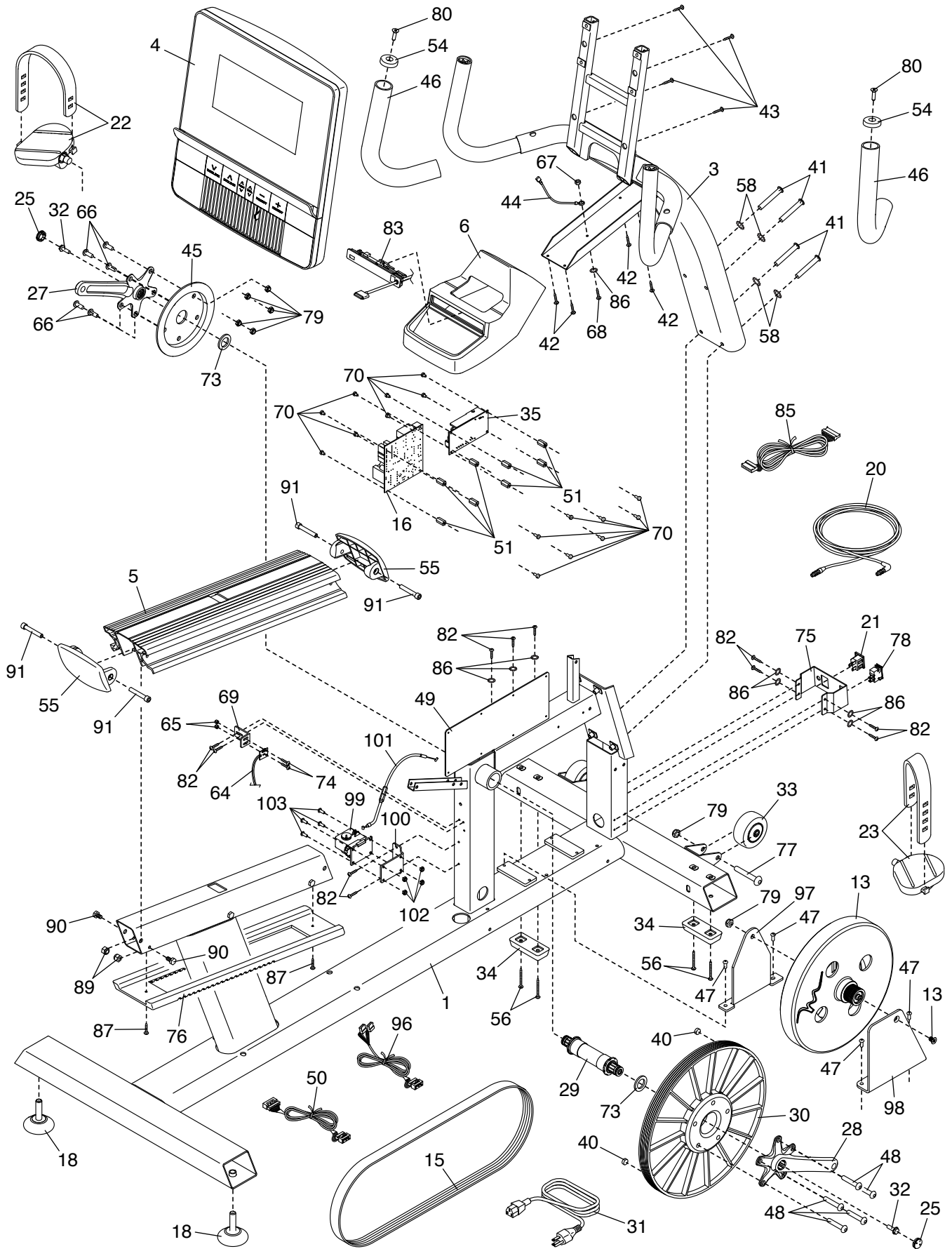


# EXPLODED DRAWING A

Model No. VMEX82011-INT.2 R0713A



# EXPLODED DRAWING B

Model No. VMEX82011-INT.2 R0713A

