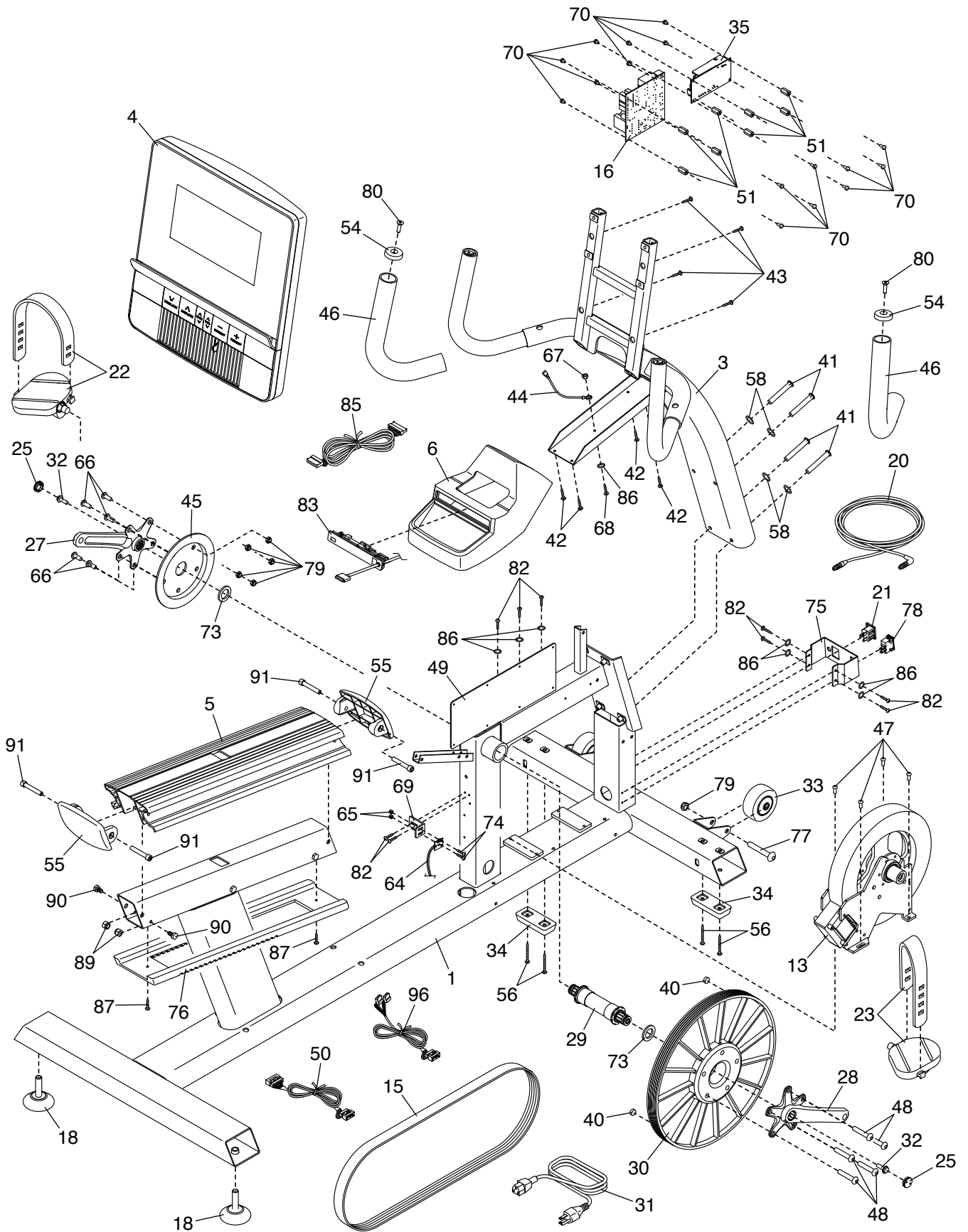


# EXPLODED DRAWING A

Model No. VMEX82011.0 R0912A



# EXPLODED DRAWING B

Model No. VMEX82011.0 R0912A

