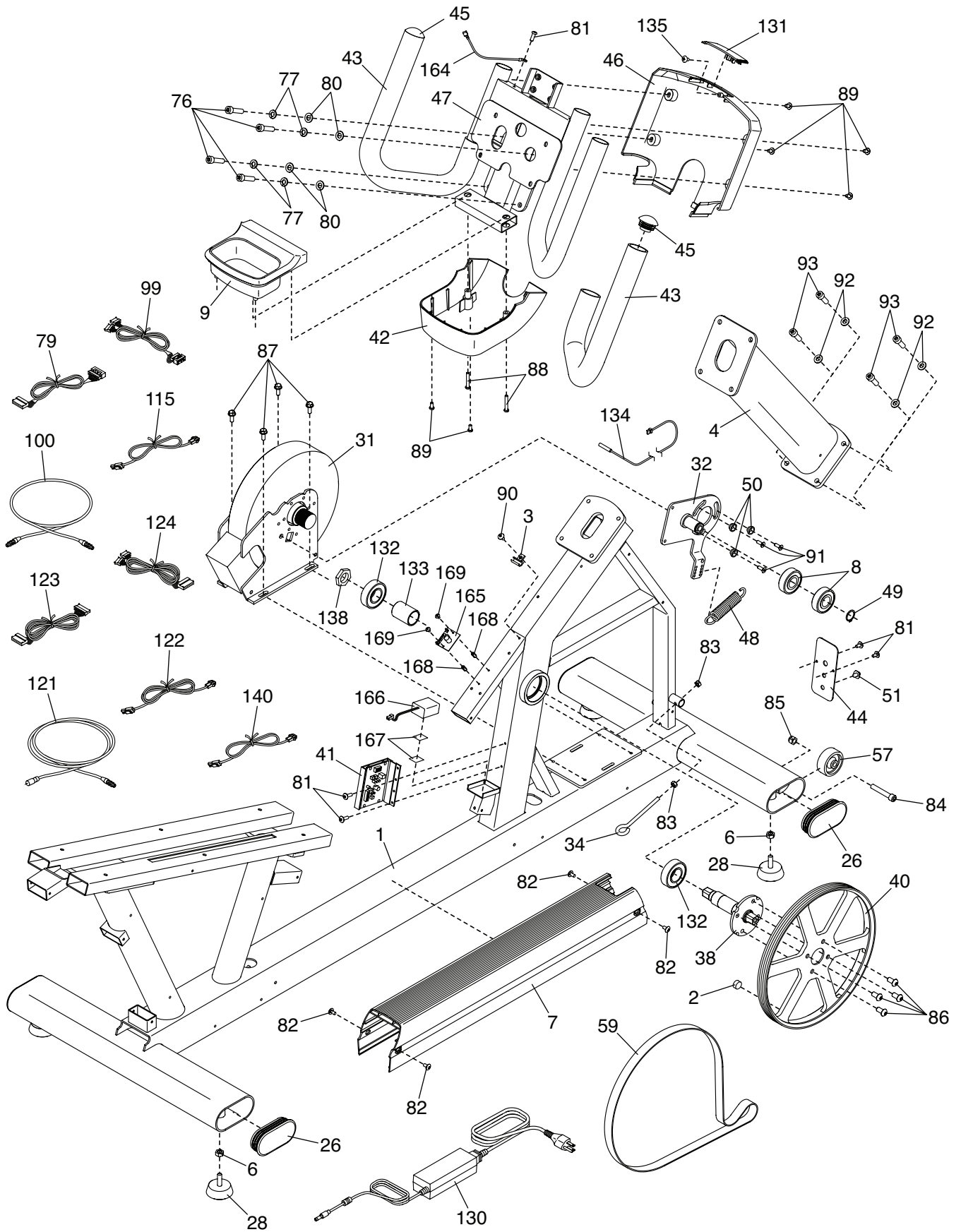


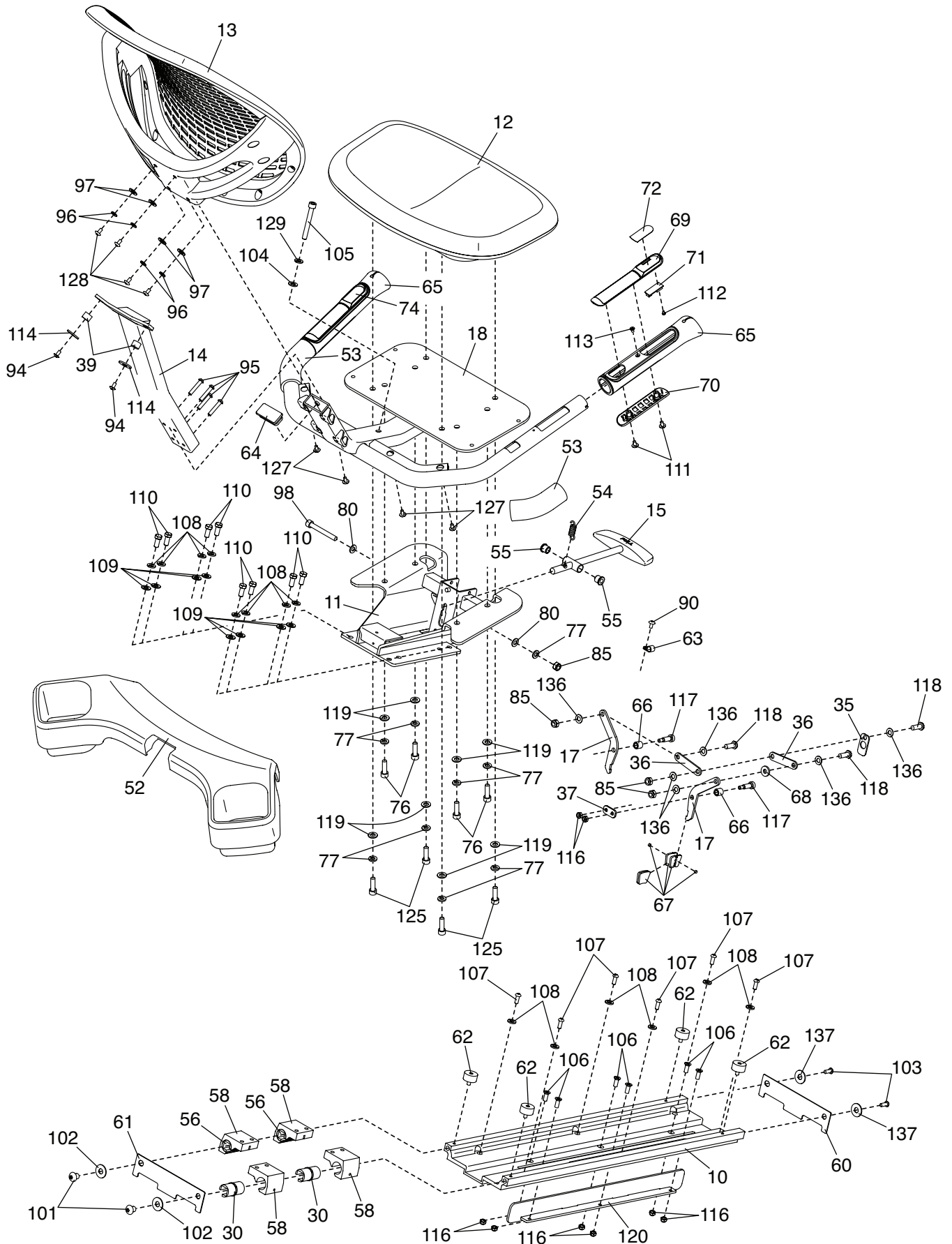
EXPLODED DRAWING A

Model No. VMEX82014.1 R0116A



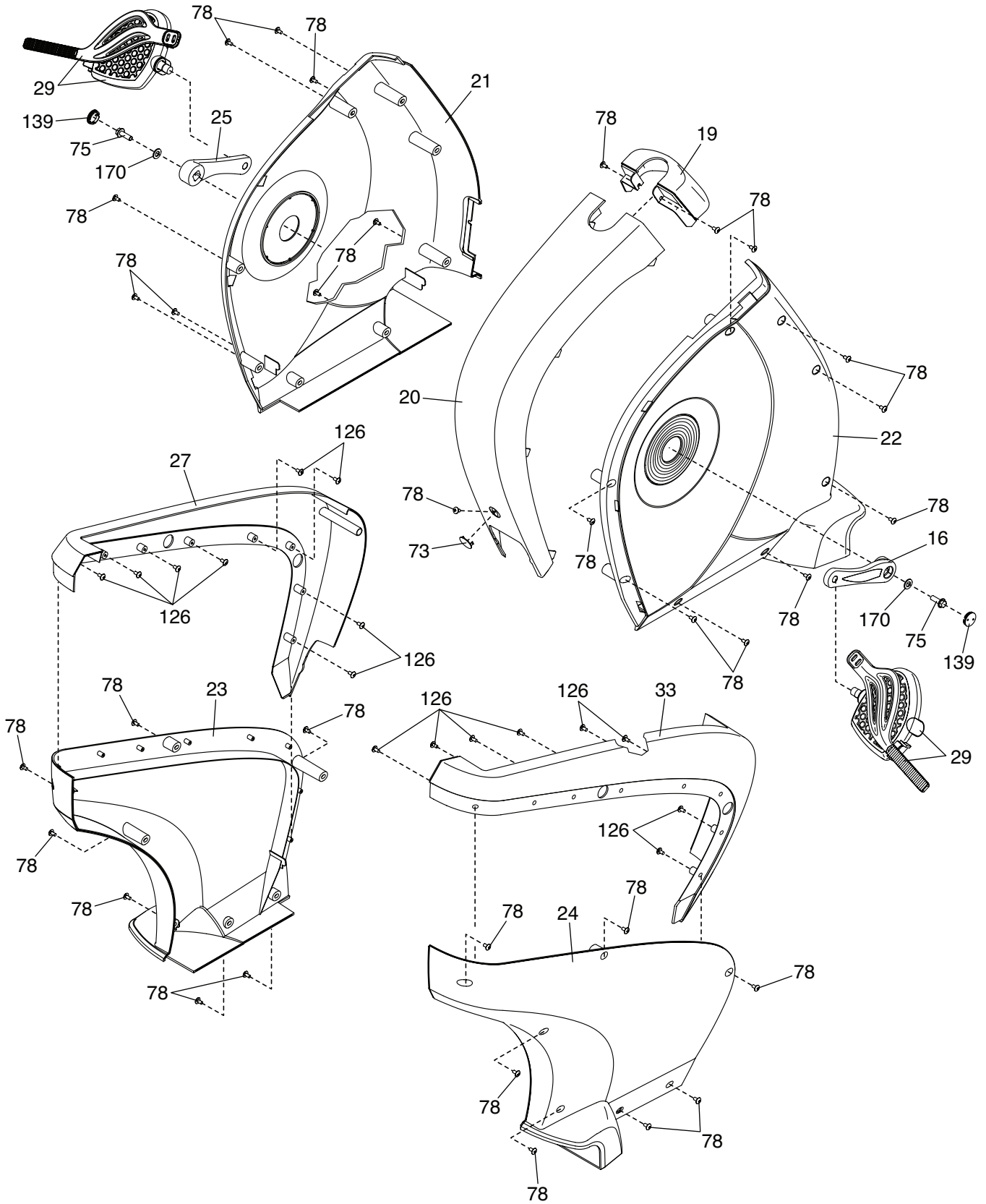
EXPLODED DRAWING B

Model No. VMEX82014.1 R0116A



EXPLODED DRAWING C

Model No. VMEX82014.1 R0116A



EXPLODED DRAWING D

Model No. VMEX82014.1 R0116A

