

PART LIST—Model No. VMSY80607.0

R0807A

If replacement parts are needed, or if parts are missing or damaged, see HOW TO CONTACT CUSTOMER CARE on the back cover of this manual.

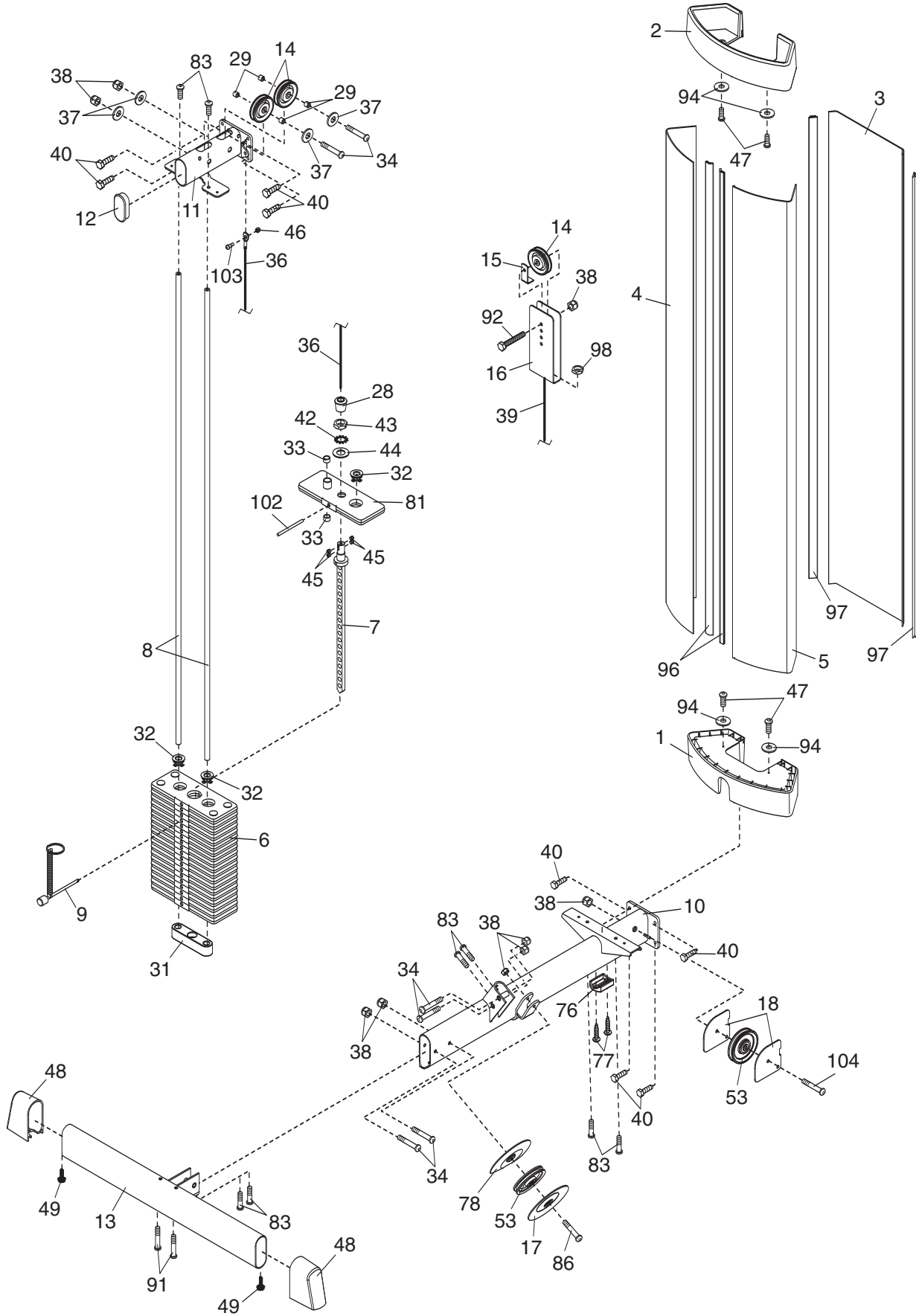
Key No.	Qty.	Description	Key No.	Qty.	Description
1	1	Shroud Base	51	2	Seat Handle Grip
2	1	Shroud Top	52	3	Handle Cap
3	1	Rear Shroud	53	2	Large Pulley
4	1	Left Shroud	54	1	Leg Lever
5	1	Right Shroud	55	1	Upright
6	19	Weight	56	1	Upright Connector
7	1	Weight Tube	57	1	Upright Cap
8	2	Weight Guide	58	1	Large Foam Pad
9	1	Weight Pin	59	1	Small Foam Pad
10	1	Base	60	1	Large Pad Cover
11	1	Top Frame	61	1	Small Pad Cover
12	1	Top Frame Cap	62	1	Pivot Arm
13	1	Stabilizer	63	1	Pivot Bracket
14	3	Small Pulley	64	1	Cam
15	1	Cable Trap	65	1	Cable Belt
16	1	“U”-bracket	66	1	Leg Lever Handle
17	1	Round Pulley Guard	67	1	Leg Lever Spacer
18	2	Square Pulley Guard	68	6	Large Bearing
19	1	Seat	69	1	M25 Washer
20	1	Seat Frame	70	1	Wedge
21	1	Backrest Frame	71	1	Wedge Plate
22	1	Lumbar Pad	72	1	Cam Pin
23	1	Backrest	73	4	Small Bearing
24	1	Backrest Plate	74	4	M6 x 25mm Thick Screw
25	1	Lumbar Plate	75	1	Bearing Plate
26	2	Backrest Bushing	76	1	Base Foot
27	2	Small Adjustment Knob	77	2	M4 x 13mm Screw
28	1	Weight Tube Cover	78	1	Half Pulley Guard
29	5	Pulley Spacer	79	1	Pivot Bracket Spacer
30	1	Large Adjustment Knob	80	2	Pad Cap
31	1	Weight Bumper	81	1	Top Weight
32	39	Weight Bushing	82	1	Large Washer
33	2	Top Weight Spacer	83	12	M10 x 19mm Screw
34	6	M10 x 66mm Bolt	84	16	M6 x 25mm Thin Screw
35	8	M10 x 13mm Screw	85	3	M6 x 25mm Flat Head Screw
36	1	Short Cable	86	3	M10 x 56mm Bolt
37	4	M10 Washer	87	1	M8 x 19mm Bolt
38	11	M10 Nylon Locknut	88	1	M8 Nylon Locknut
39	1	Long Cable	89	1	Coupler
40	8	M10 x 19mm Hex Screw	90	2	M6 x 13mm Screw
41	1	Handle Grip	91	2	M10 x 140mm Screw
42	1	Star Washer	92	1	M10 x 53mm Bolt
43	1	M25 Nut	93	2	Wheel
44	1	Large M25 Washer	94	6	M6.5 Washer
45	4	M8 x 8mm Set Screw	95	1	M8 x 13mm Stop
46	1	M8 Nut	96	2	Shroud Edging
47	4	M5 x 25mm Screw	97	2	Shroud Joint
48	2	Stabilizer Cap	98	1	M10 x 10mm Nut
49	2	Leveling Foot	99	2	M6 x 40mm Screw
50	2	Seat Handle	100	2	M6.35 x 10mm Screw

Key No.	Qty.	Description	Key No.	Qty.	Description
101	2	M6 Nut	111	1	M10 x 45mm Bolt
102	1	Top Weight Pin	112	1	M10 x 75mm Screw
103	1	M8 x 25mm Shoulder Bolt	113	1	M10 x 13mm Screw
104	1	M10 x 100mm Bolt	114	2	Bushing
105	1	Backrest Frame Cap	115	1	Leg Lever Cap
106	4	M6 x 10mm Screw	116	2	Belt Clamp
107	2	M5 x 15mm Screw	*	–	User's Manual
108	3	M10 x 8mm Nut	*	–	Exercise Guide
109	1	Small Bearing	*	–	Hex Key
110	1	Retainer Clip	*	–	Grease Packet

Note: Specifications are subject to change without notice. See the back cover of this manual for information about ordering replacement parts. *These parts are not illustrated.

EXPLODED DRAWING A—Model No. VMSY80607.0

R0807A



EXPLODED DRAWING B—Model No. VMSY80607.0

R0807A

