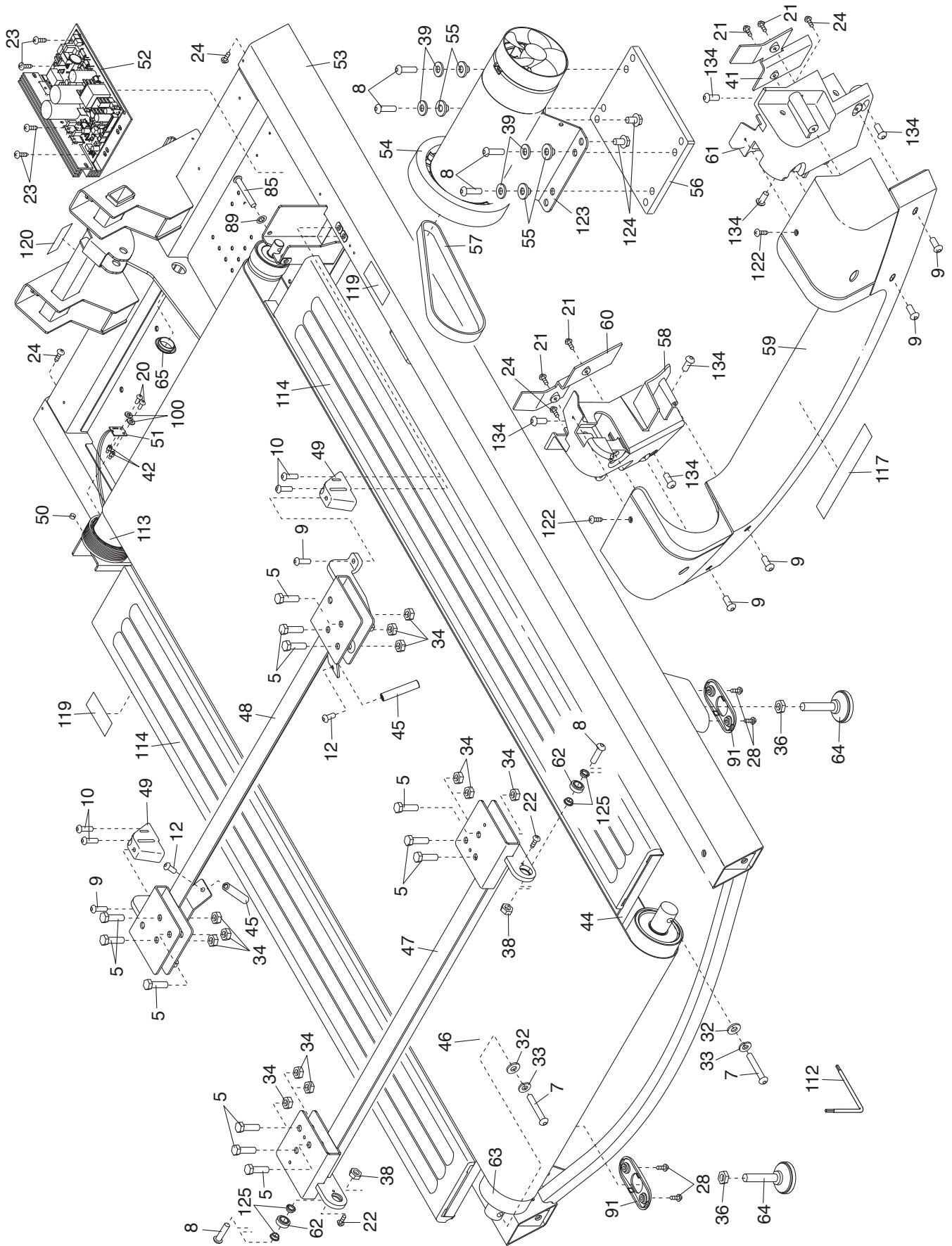


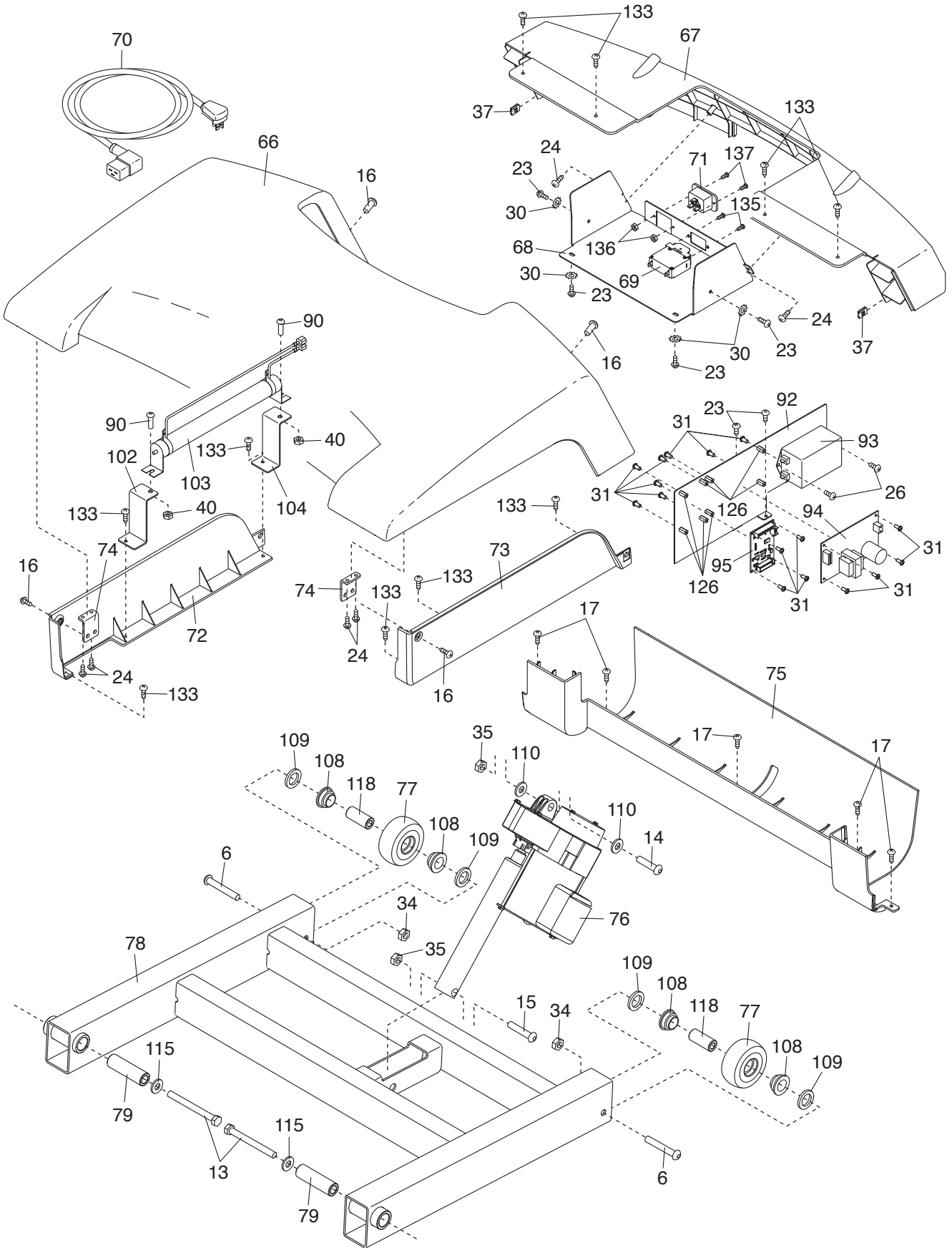
EXPLODED DRAWING A

Model No. VMTL29811-INT.1 R0912A



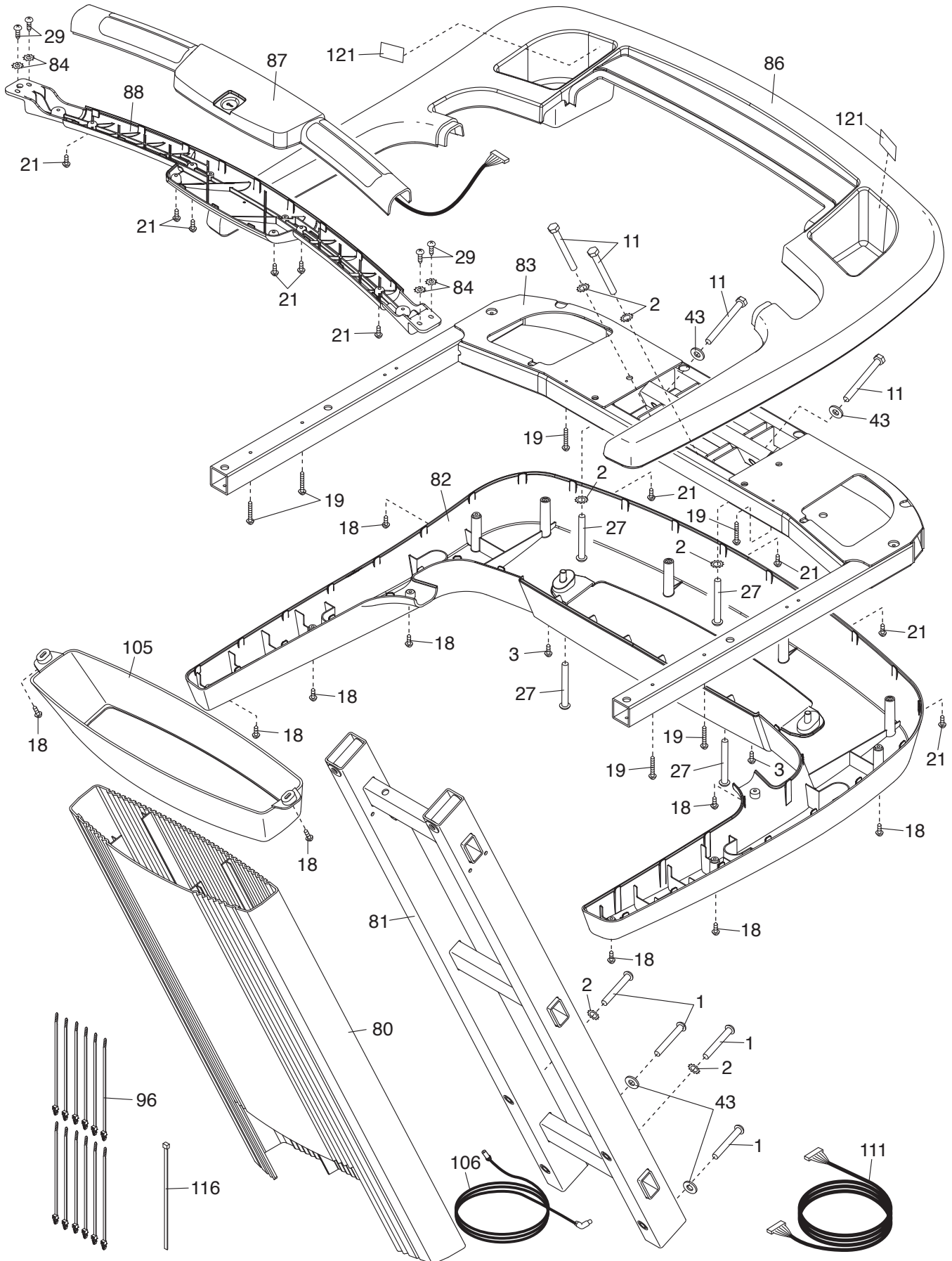
EXPLODED DRAWING B

Model No. VMTL29811-INT.1 R0912A



EXPLODED DRAWING C

Model No. VMTL29811-INT.1 R0912A



EXPLODED DRAWING D

Model No. VMTL29811-INT.1 R0912A

