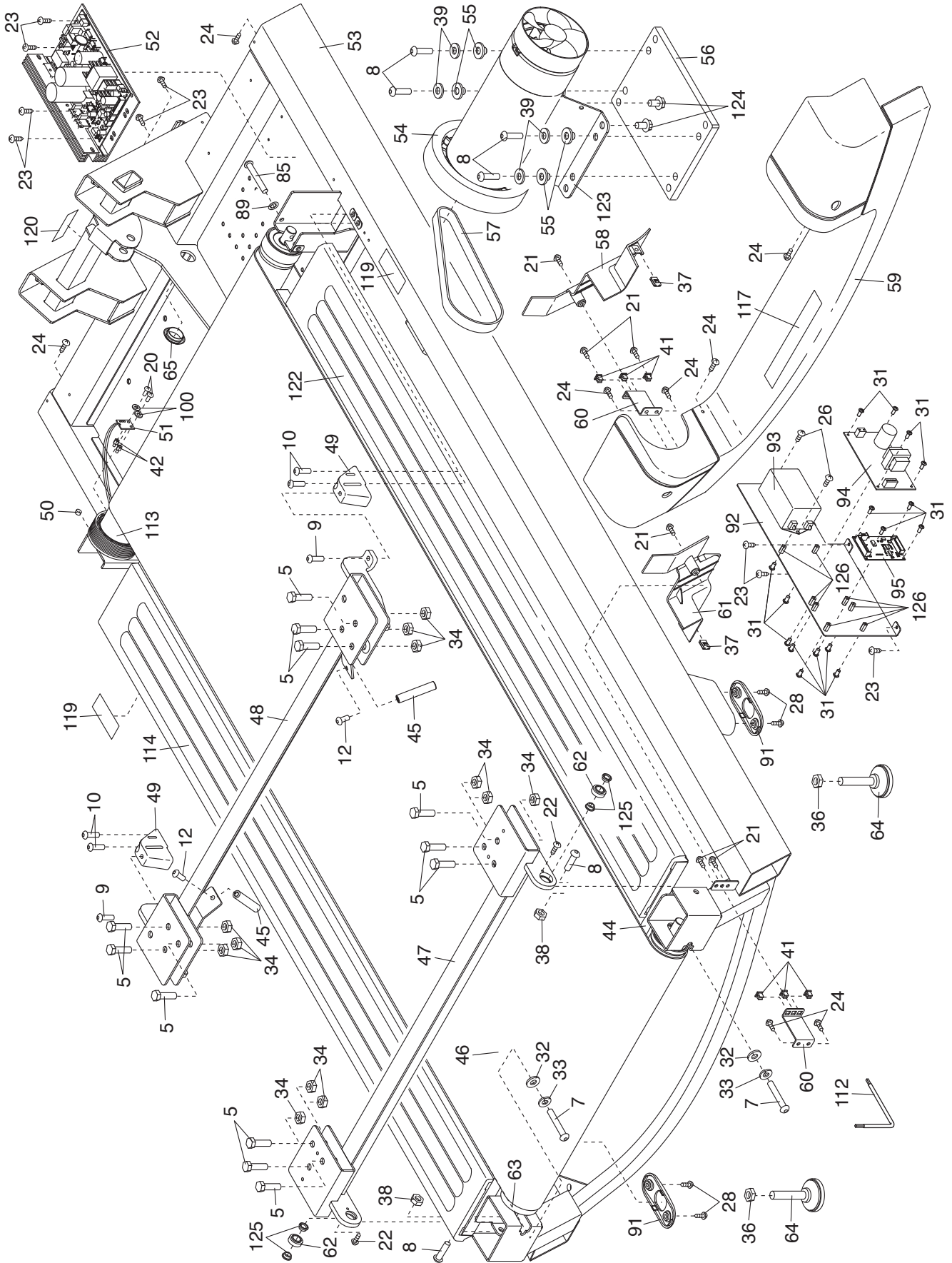


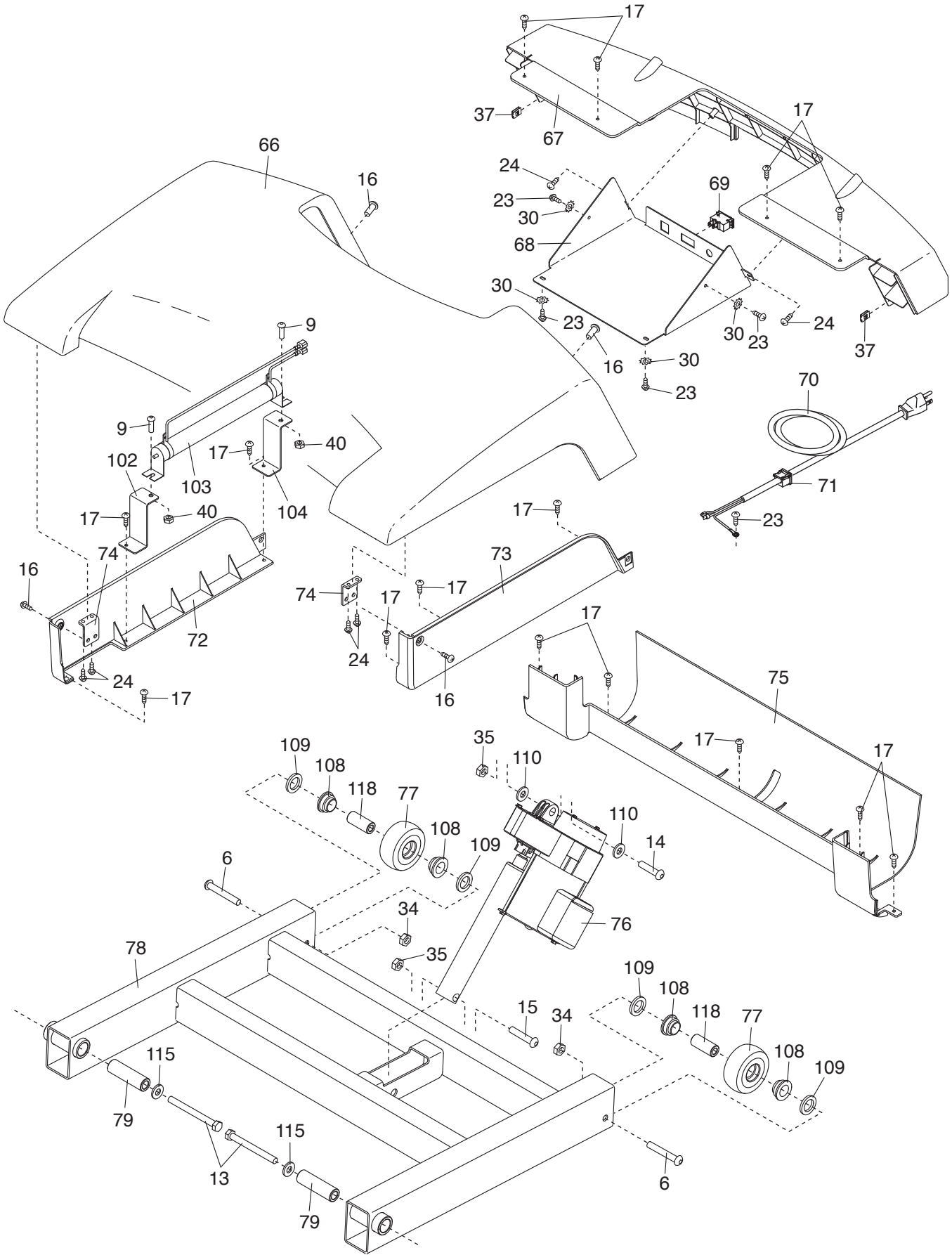
EXPLODED DRAWING A

Model No. VMTL29811.0 R0312A



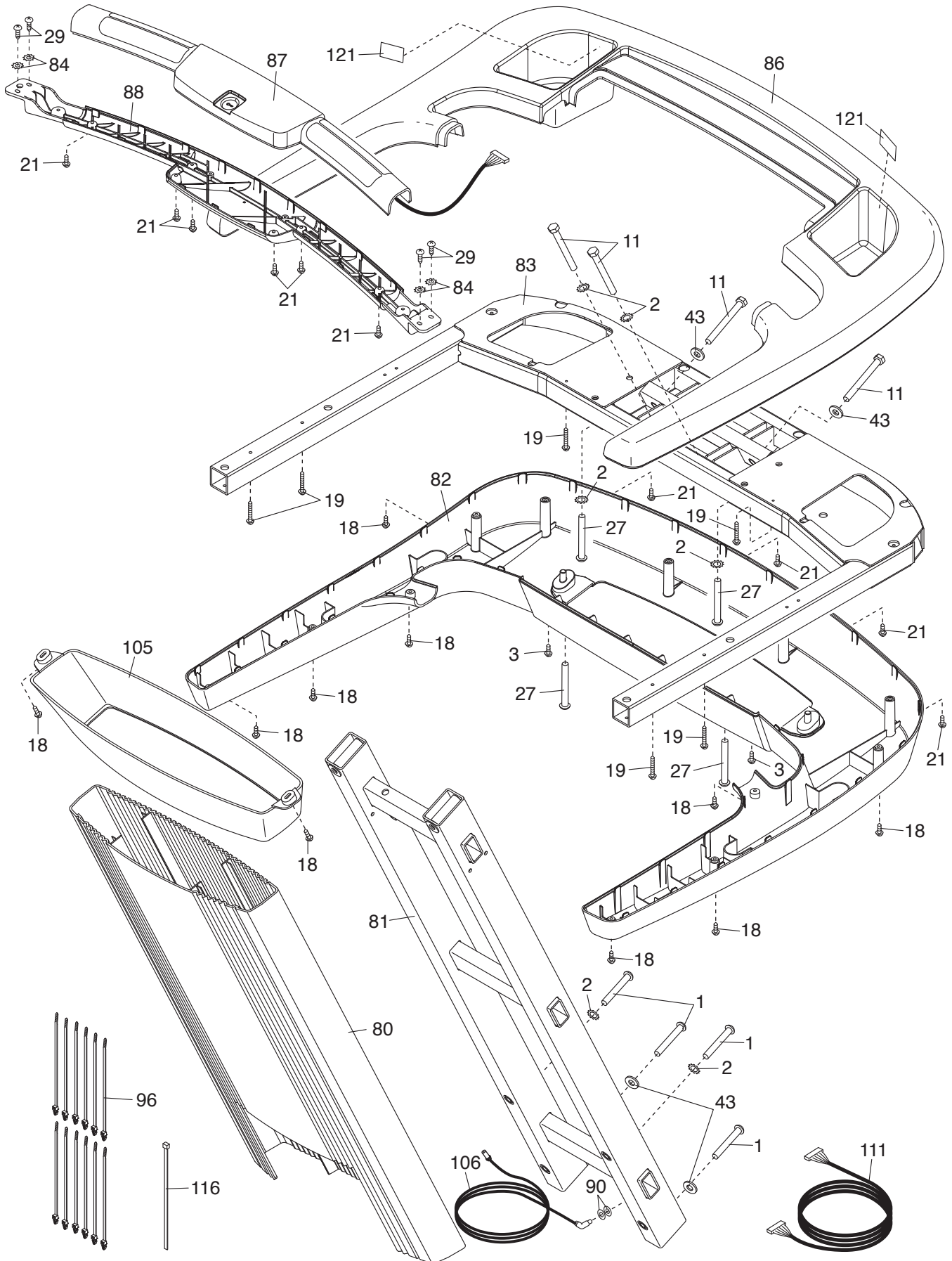
EXPLODED DRAWING B

Model No. VMTL29811.0 R0312A



EXPLODED DRAWING C

Model No. VMTL29811.0 R0312A



EXPLODED DRAWING D

Model No. VMTL29811.0 R0312A

