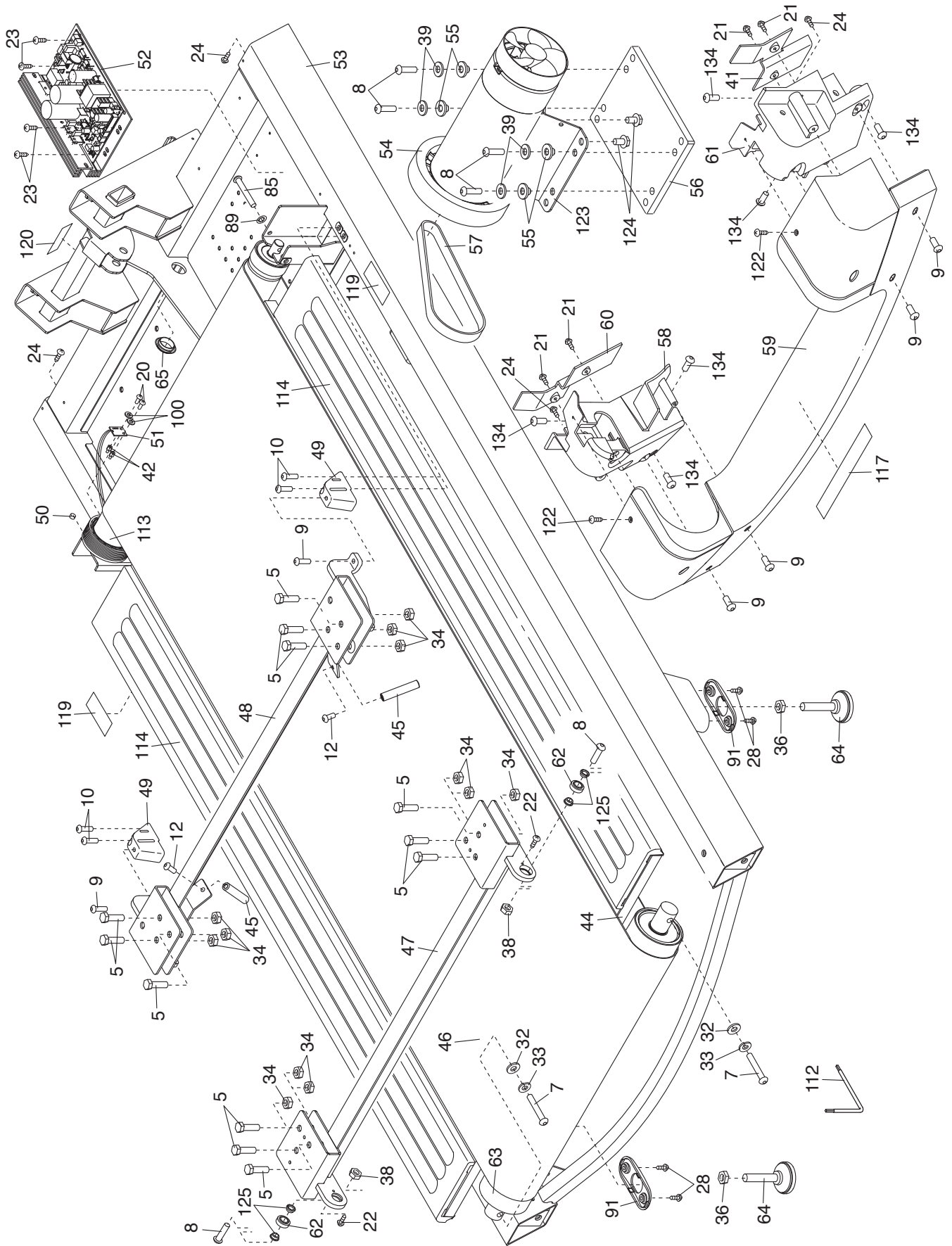


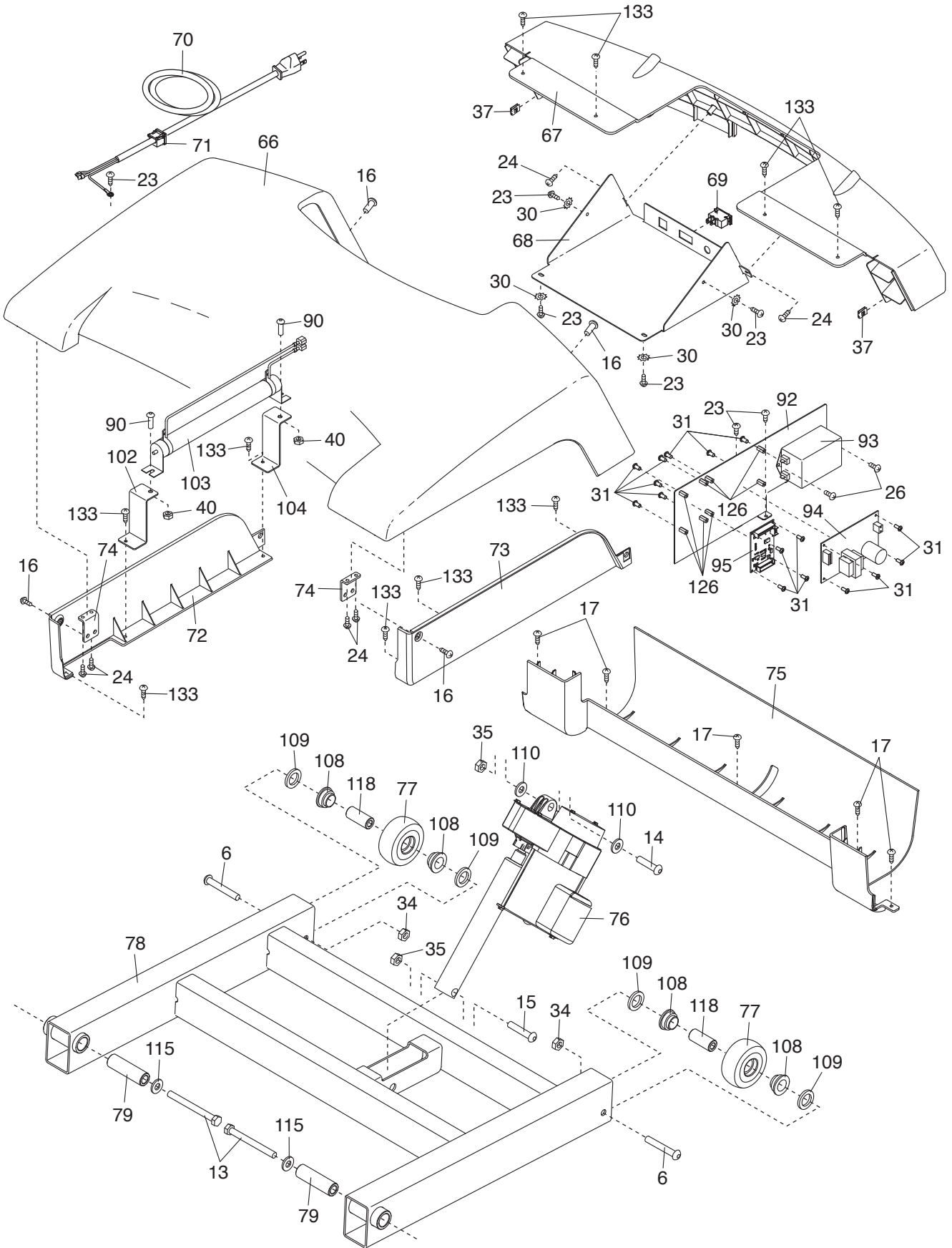
EXPLODED DRAWING A

Model No. VMTL29811.6 R1113B



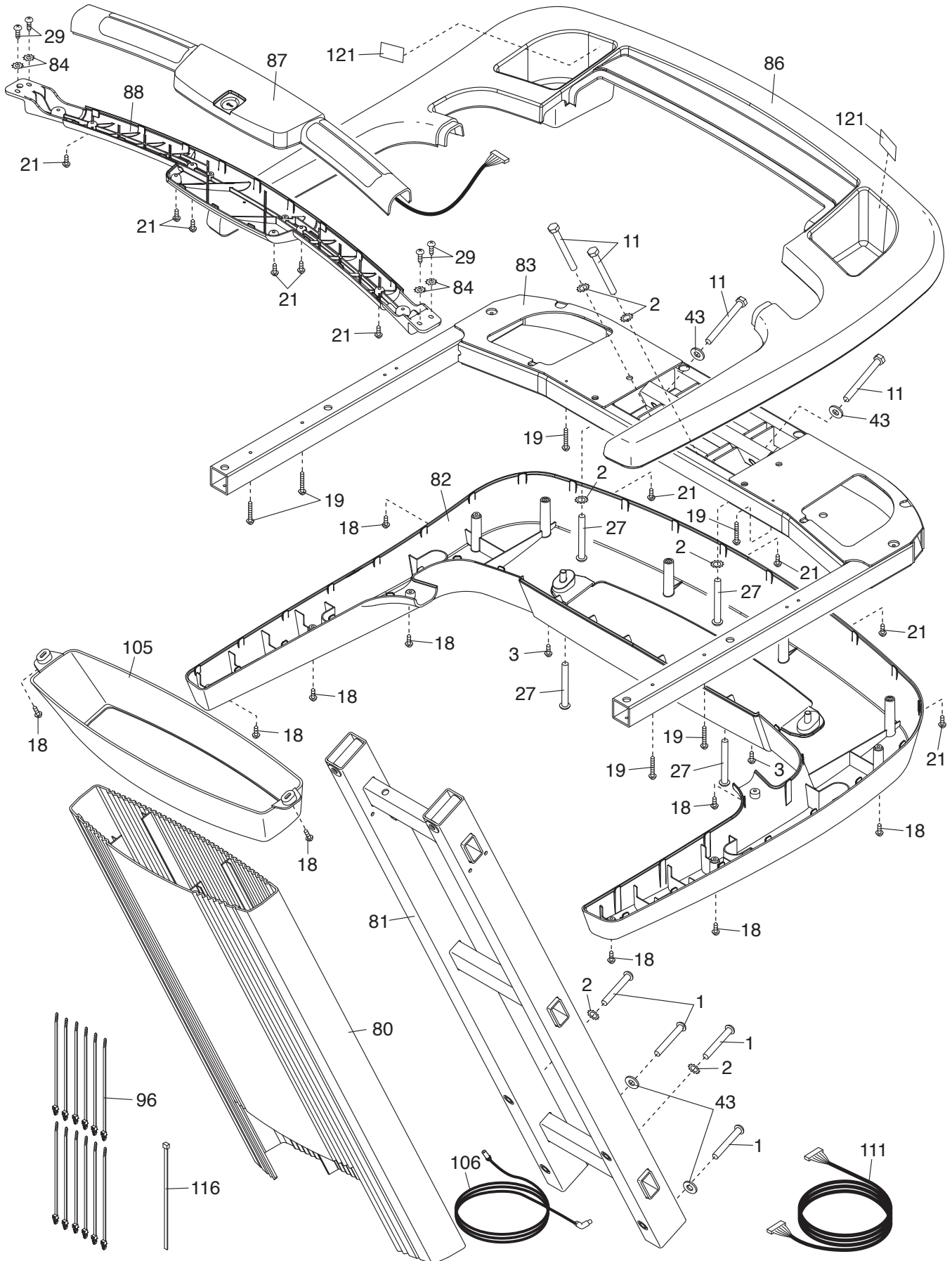
EXPLODED DRAWING B

Model No. VMTL29811.6 R1113B



EXPLODED DRAWING C

Model No. VMTL29811.6 R1113B



EXPLODED DRAWING D

Model No. VMTL29811.6 R1113B

