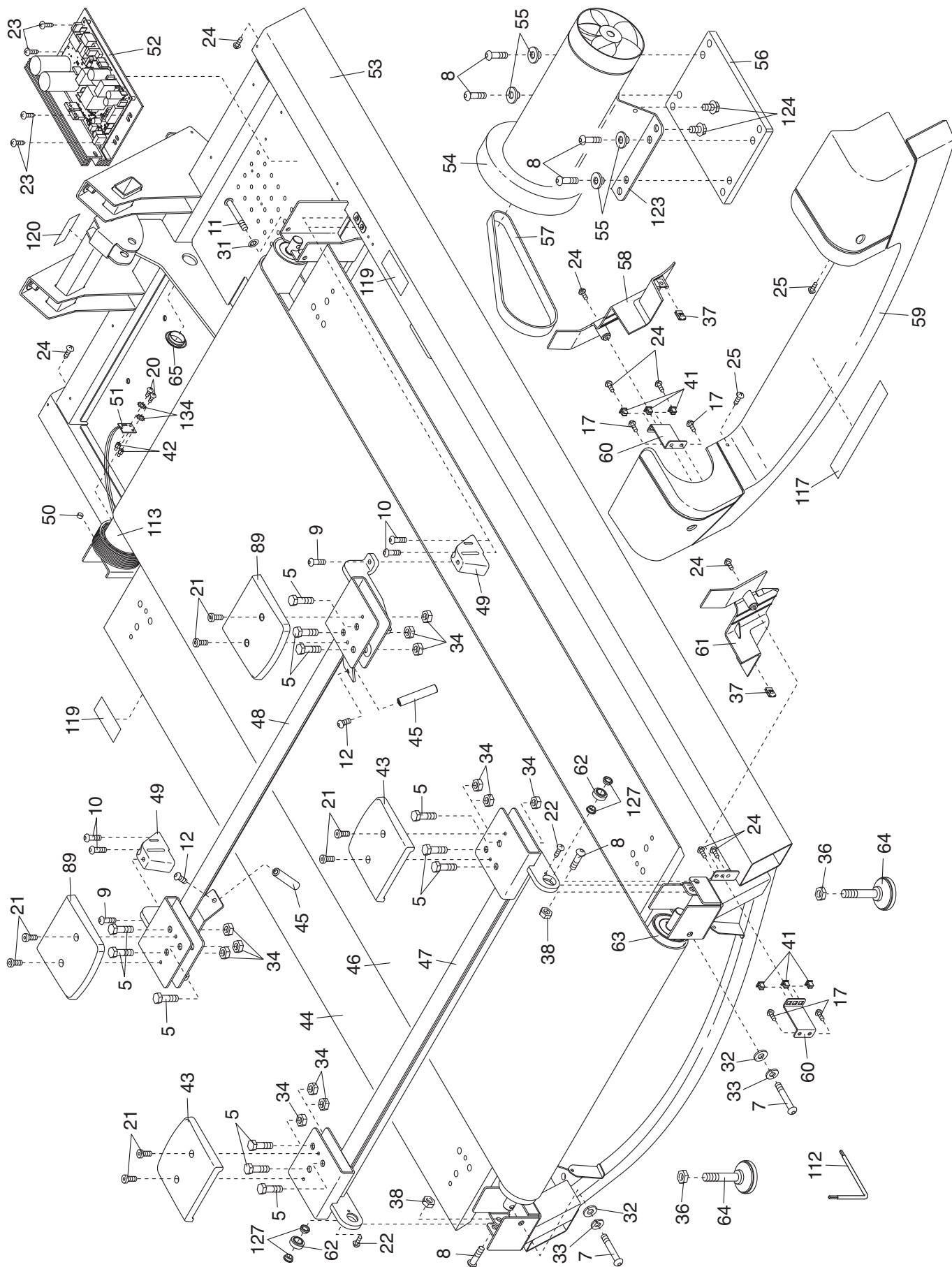


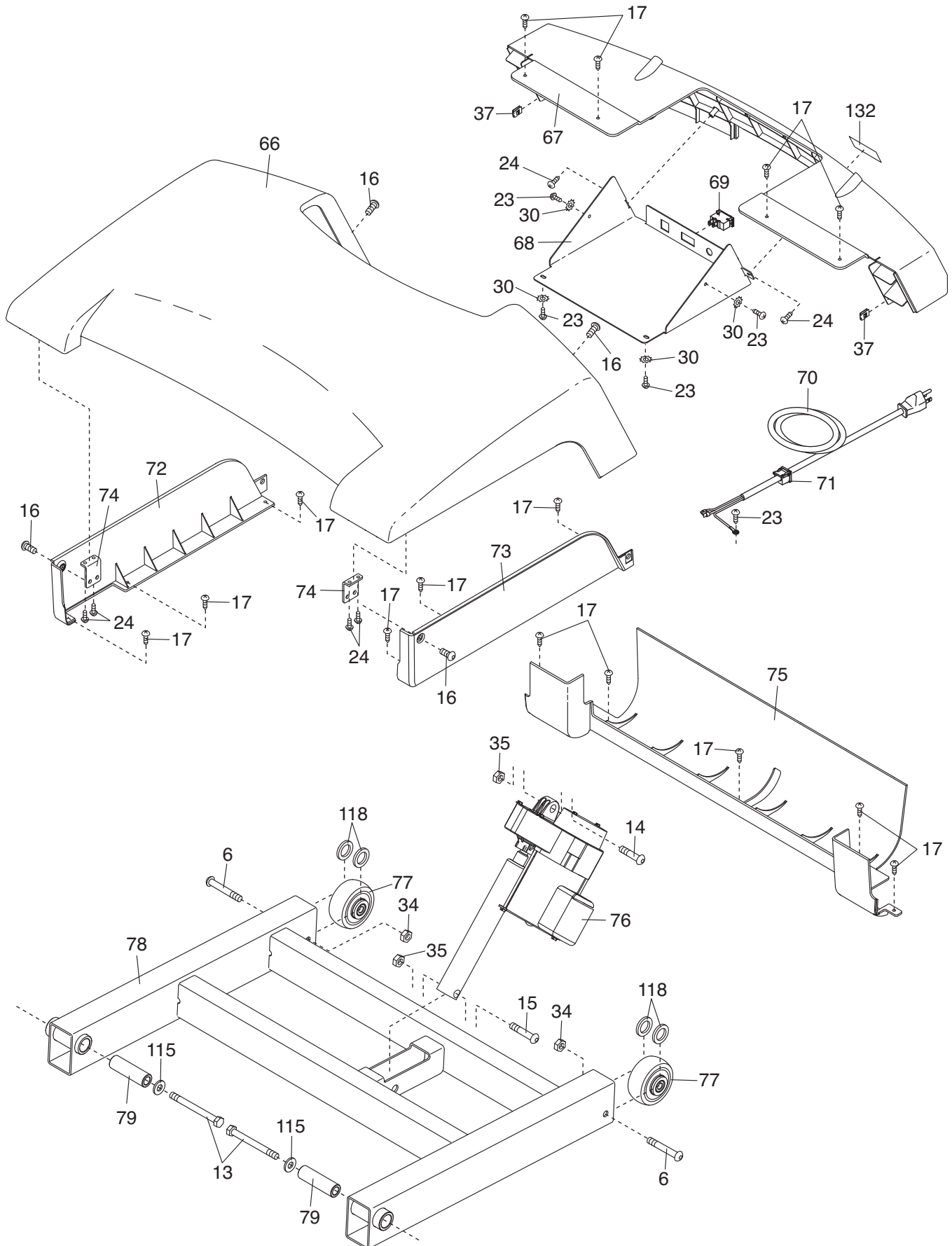
# EXPLODED DRAWING A

R1108A



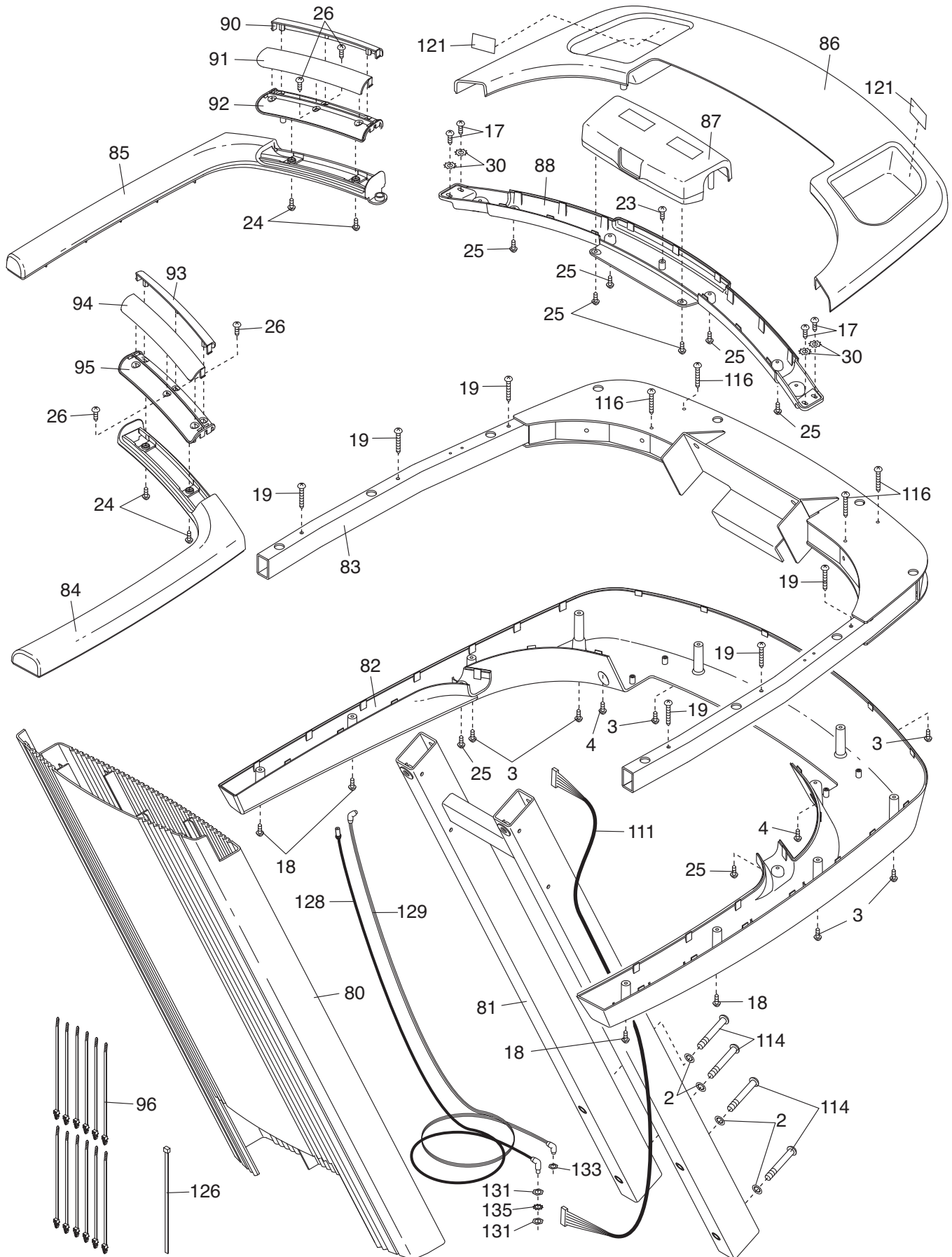
# EXPLODED DRAWING B

R1108A



# EXPLODED DRAWING C

R1108A



# EXPLODED DRAWING D

R1108A

