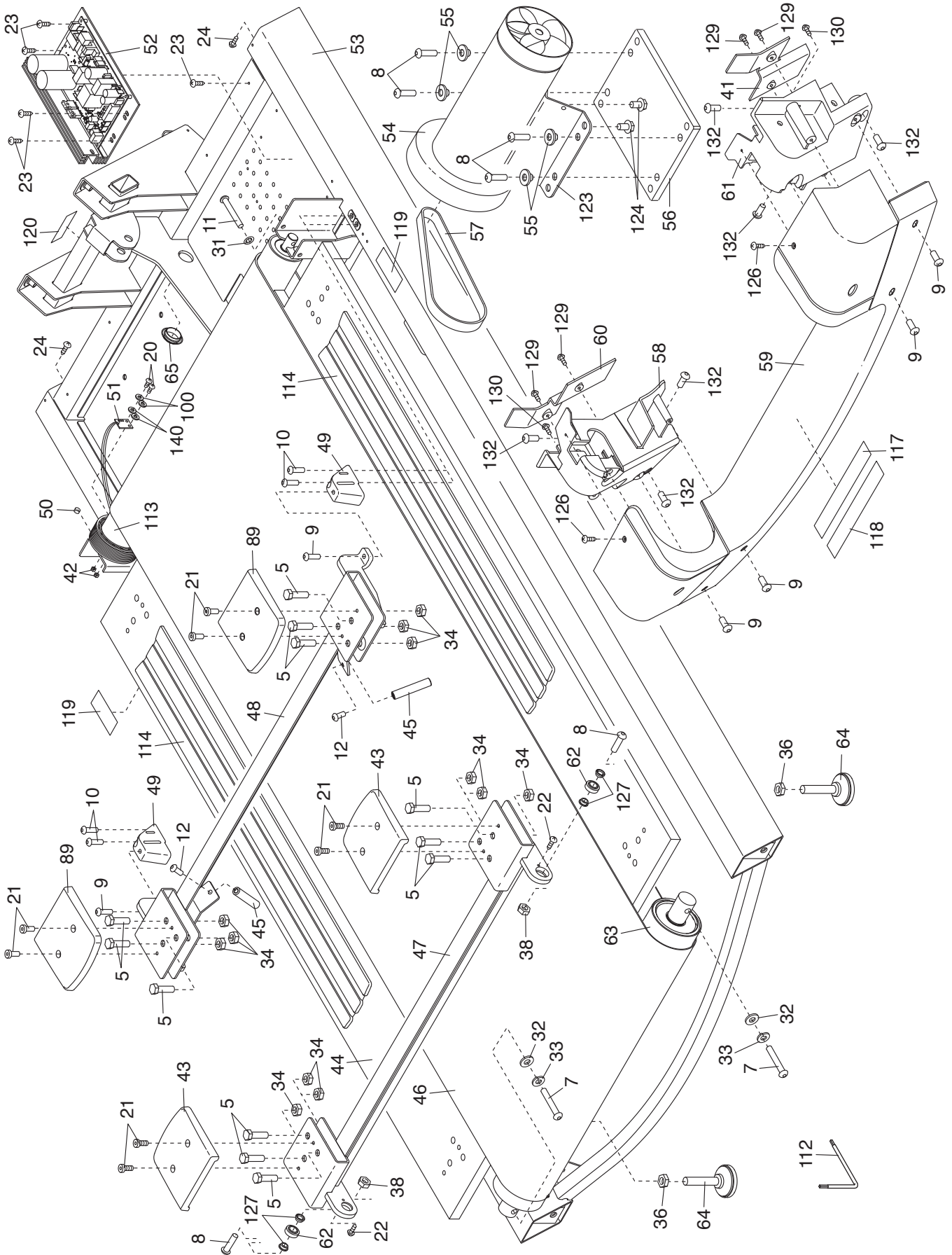


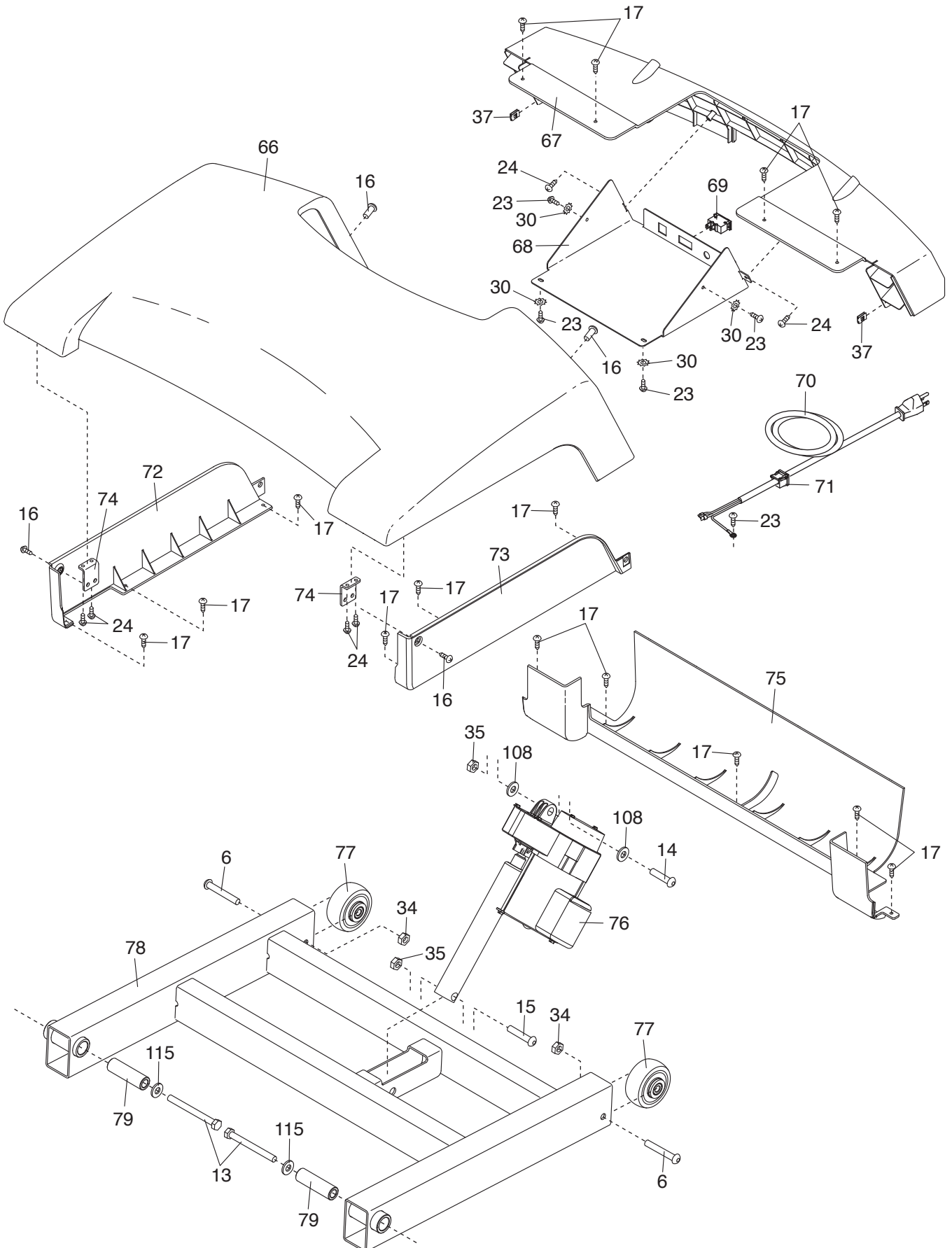
# EXPLODED DRAWING A

Model No. VMTL34808.1 R0312A



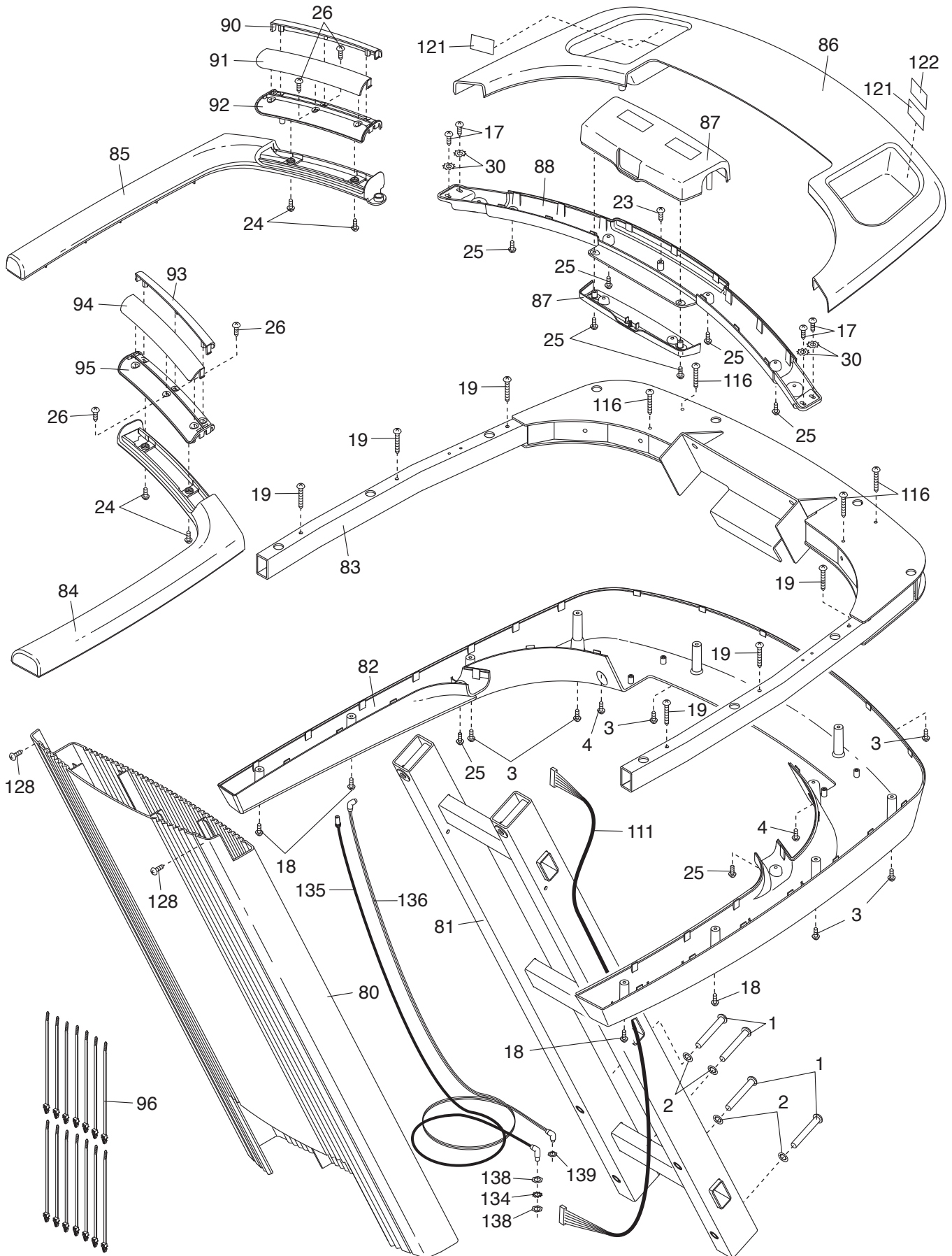
# EXPLODED DRAWING B

Model No. VMTL34808.1 R0312A



# EXPLODED DRAWING C

Model No. VMTL34808.1 R0312A



# EXPLODED DRAWING D

Model No. VMTL34808.1 R0312A

