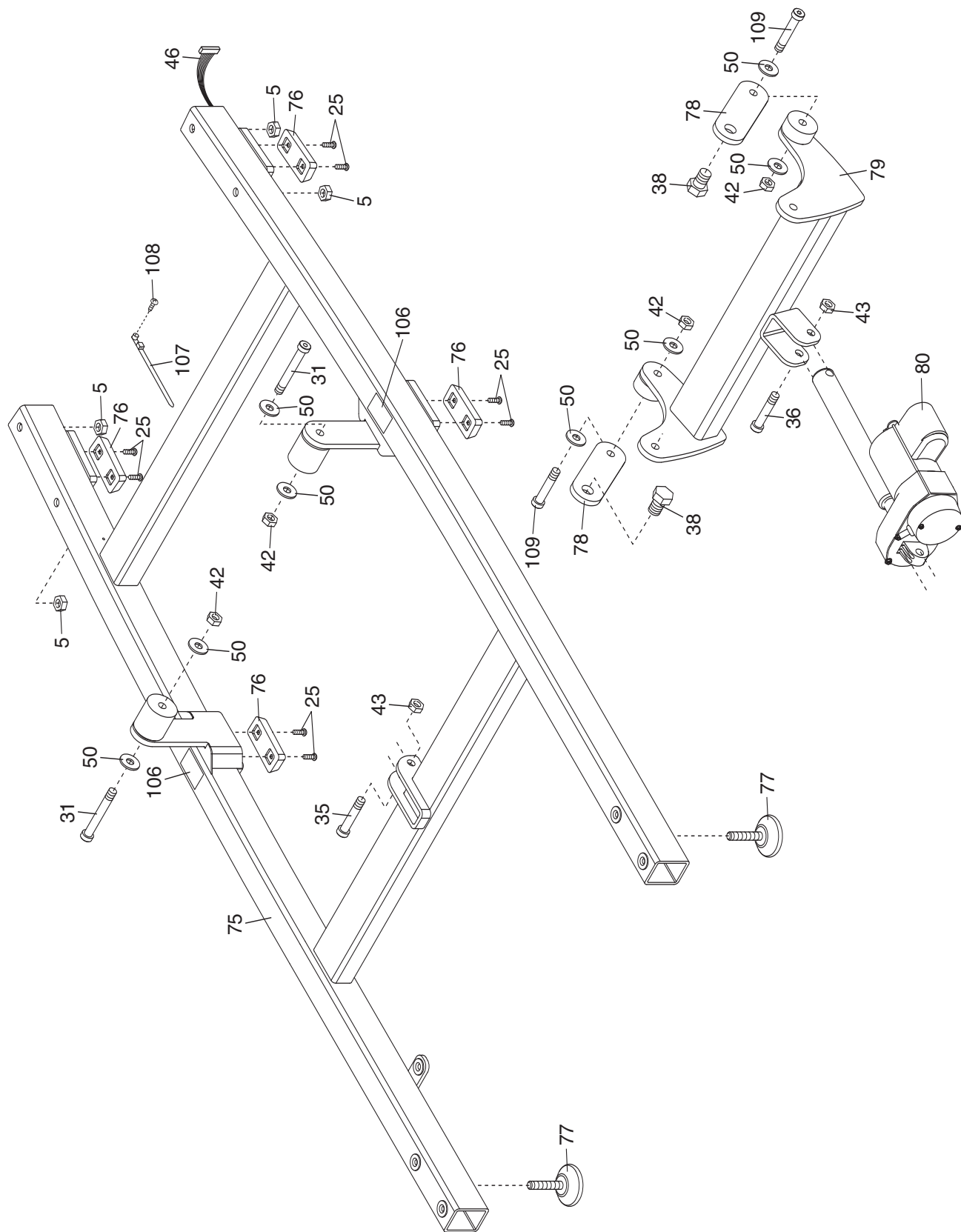


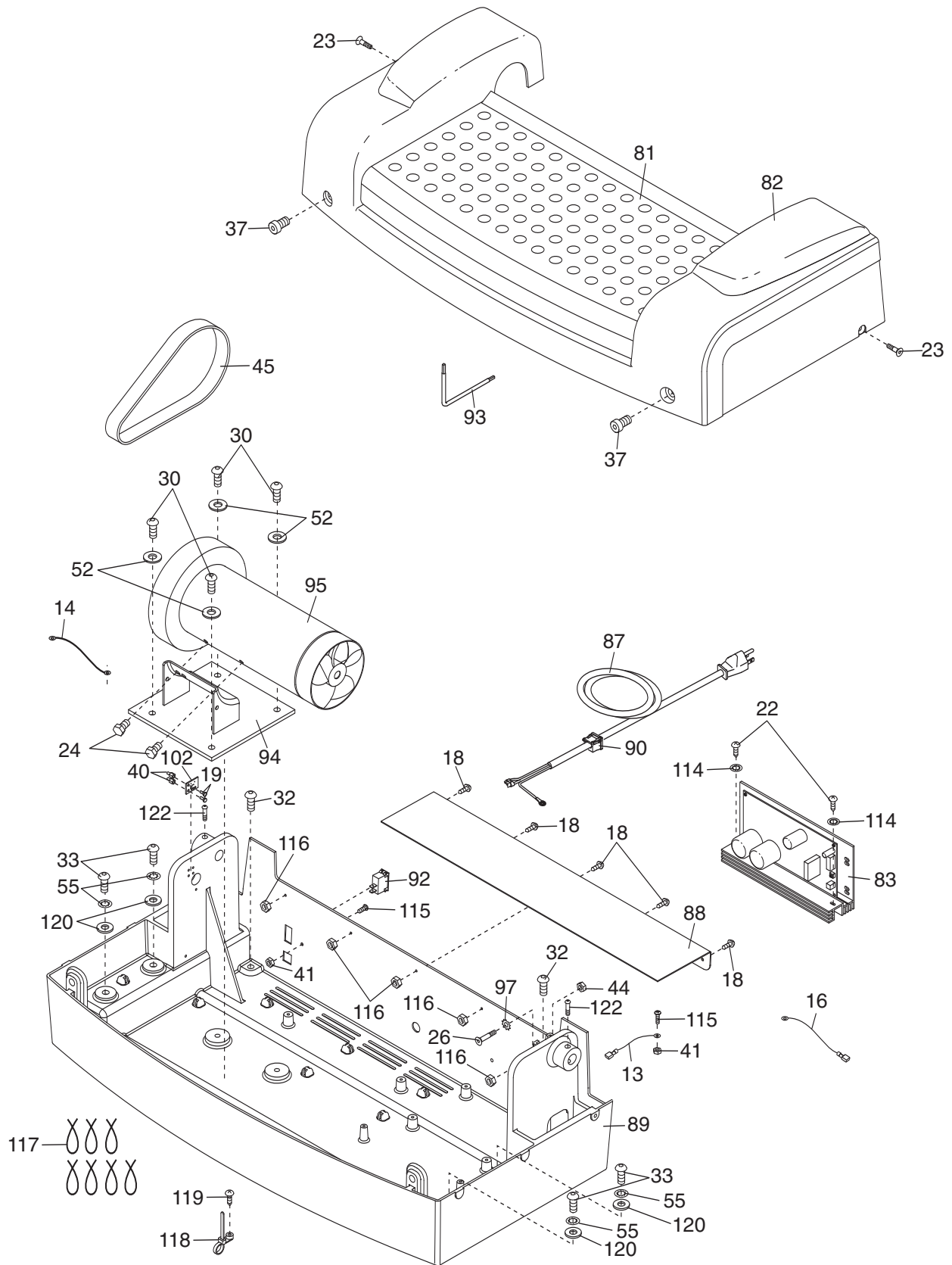
EXPLODED DRAWING B—Model No. VMTL82907.1

R0108A



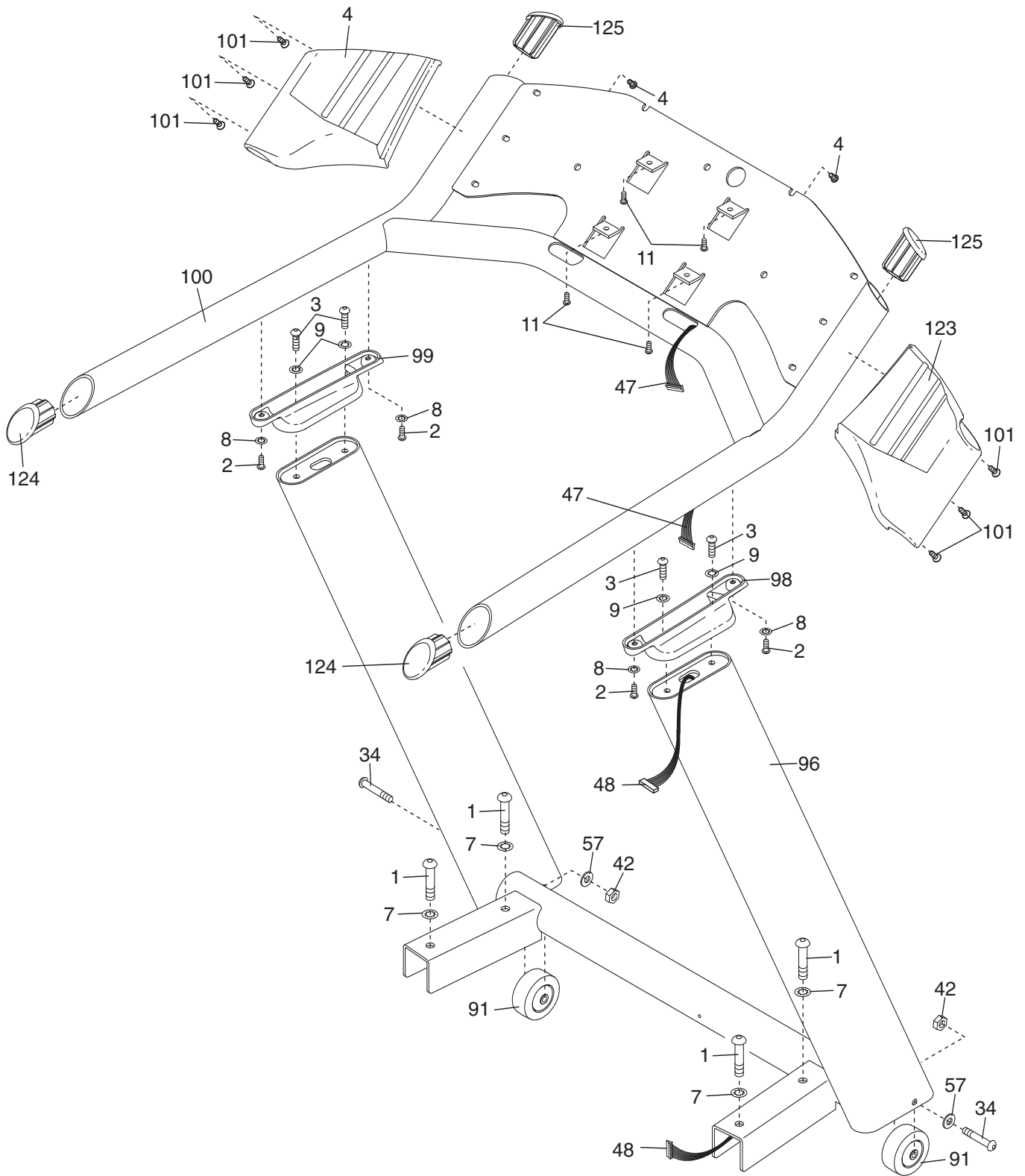
EXPLODED DRAWING C—Model No. VMTL82907.1

R0108A



EXPLODED DRAWING D—Model No. VMTL82907.1

R0108A



EXPLODED DRAWING E—Model No. VMTL82907.1

R0108A

