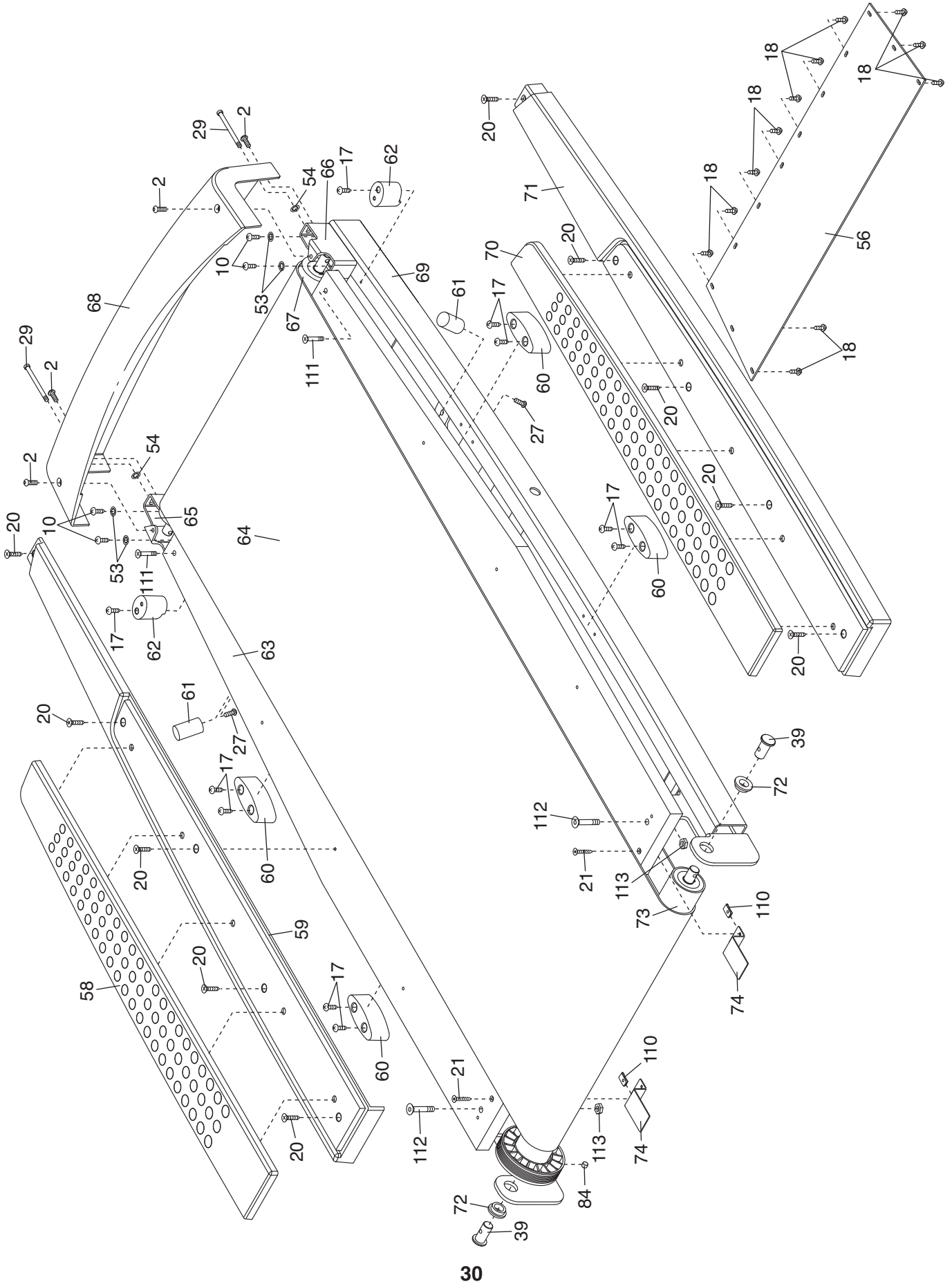


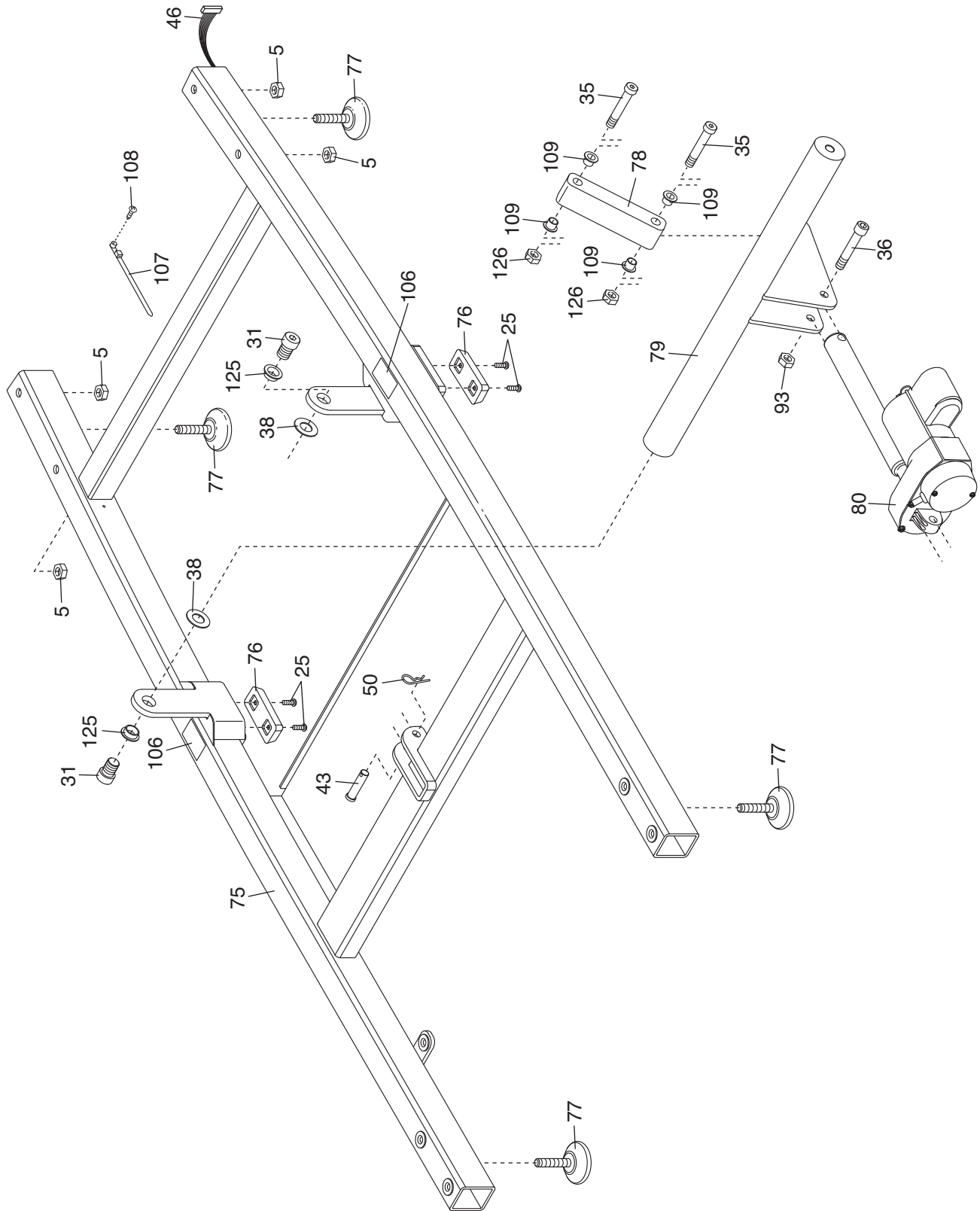
EXPLODED DRAWING A—Model No. VMTL82907.4

R0809A



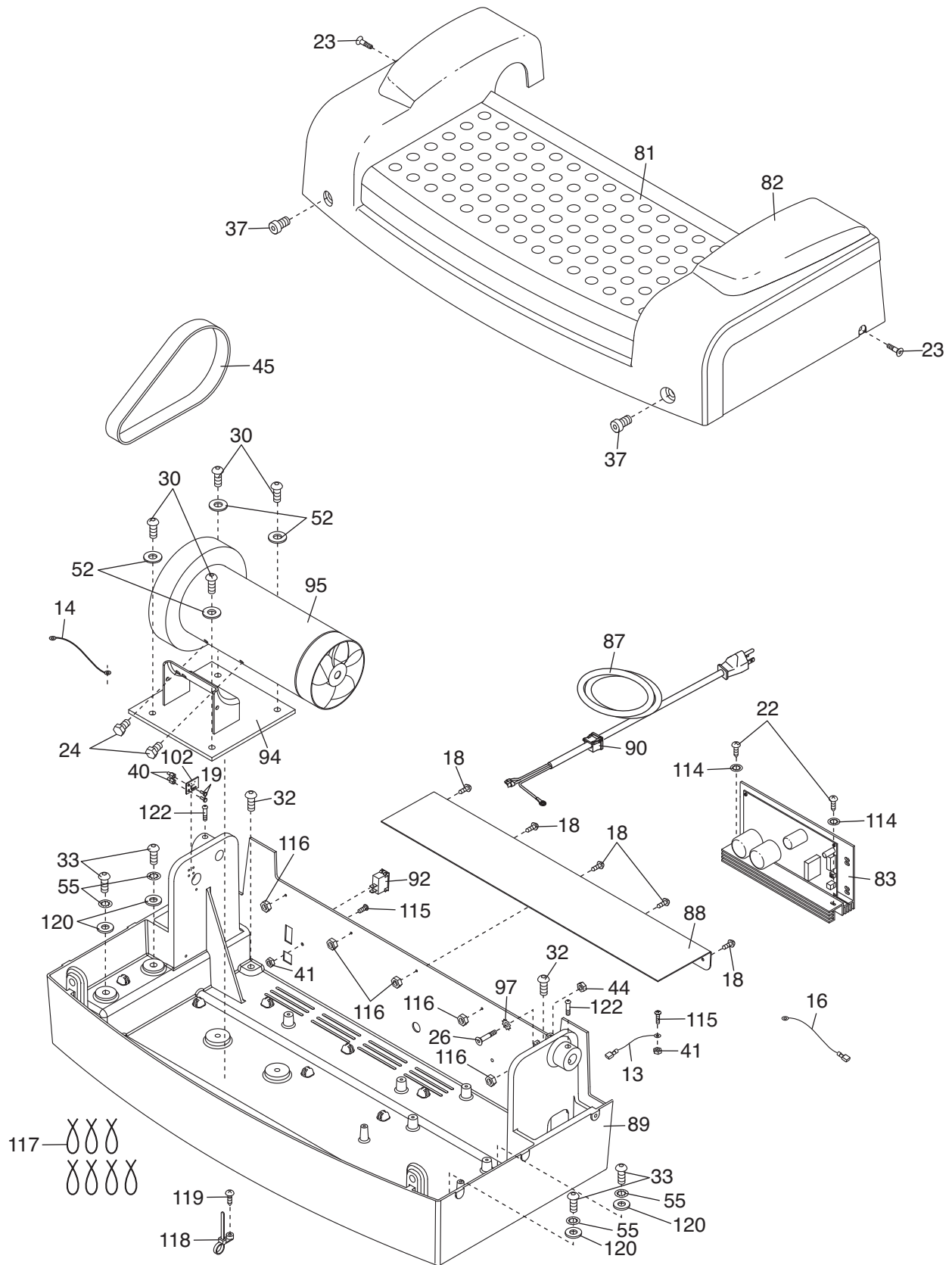
EXPLODED DRAWING B—Model No. VMTL82907.4

R0809A



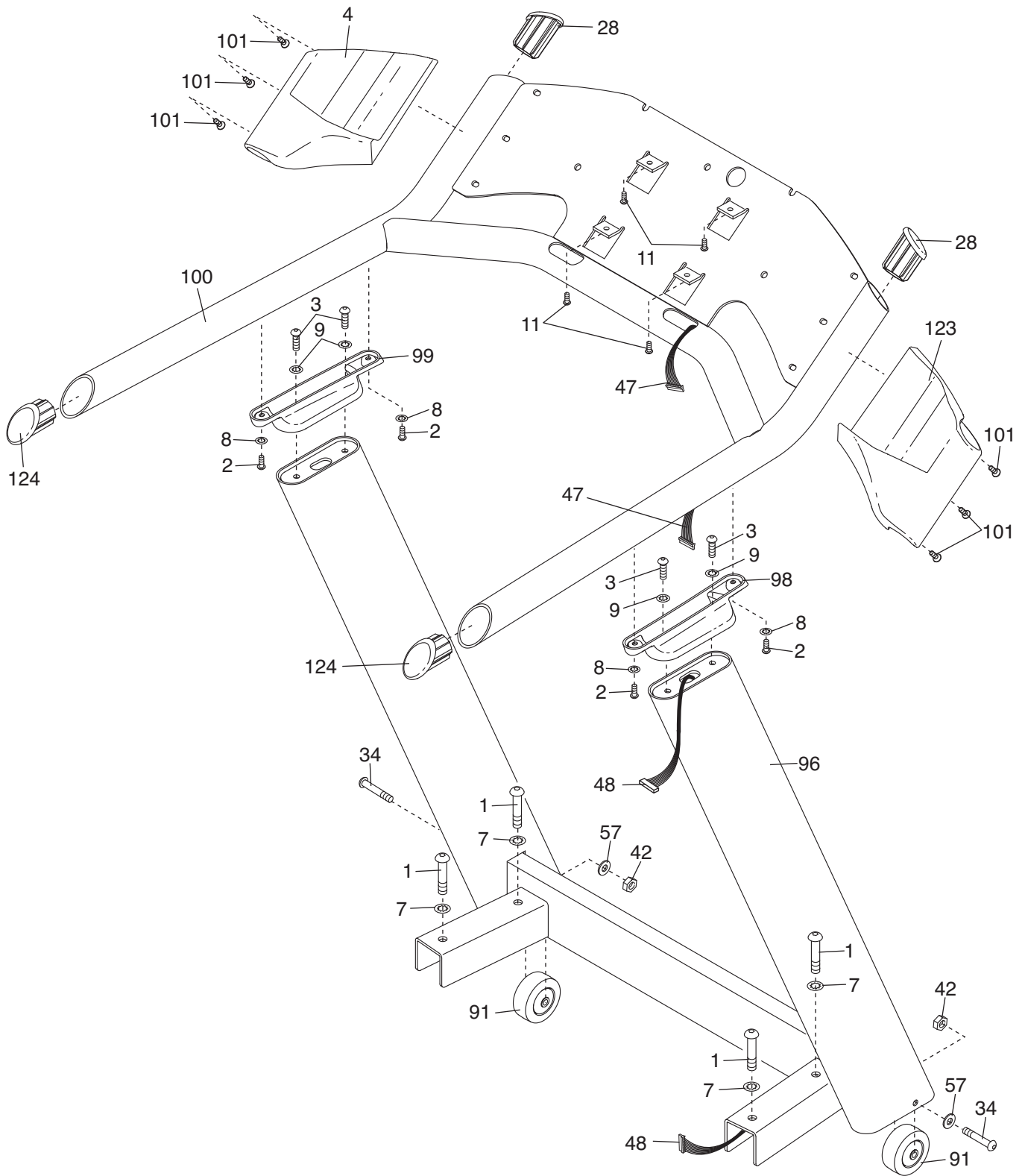
EXPLODED DRAWING C—Model No. VMTL82907.4

R0809A



EXPLODED DRAWING D—Model No. VMTL82907.4

R0809A



EXPLODED DRAWING E—Model No. VMTL82907.4

R0809A

