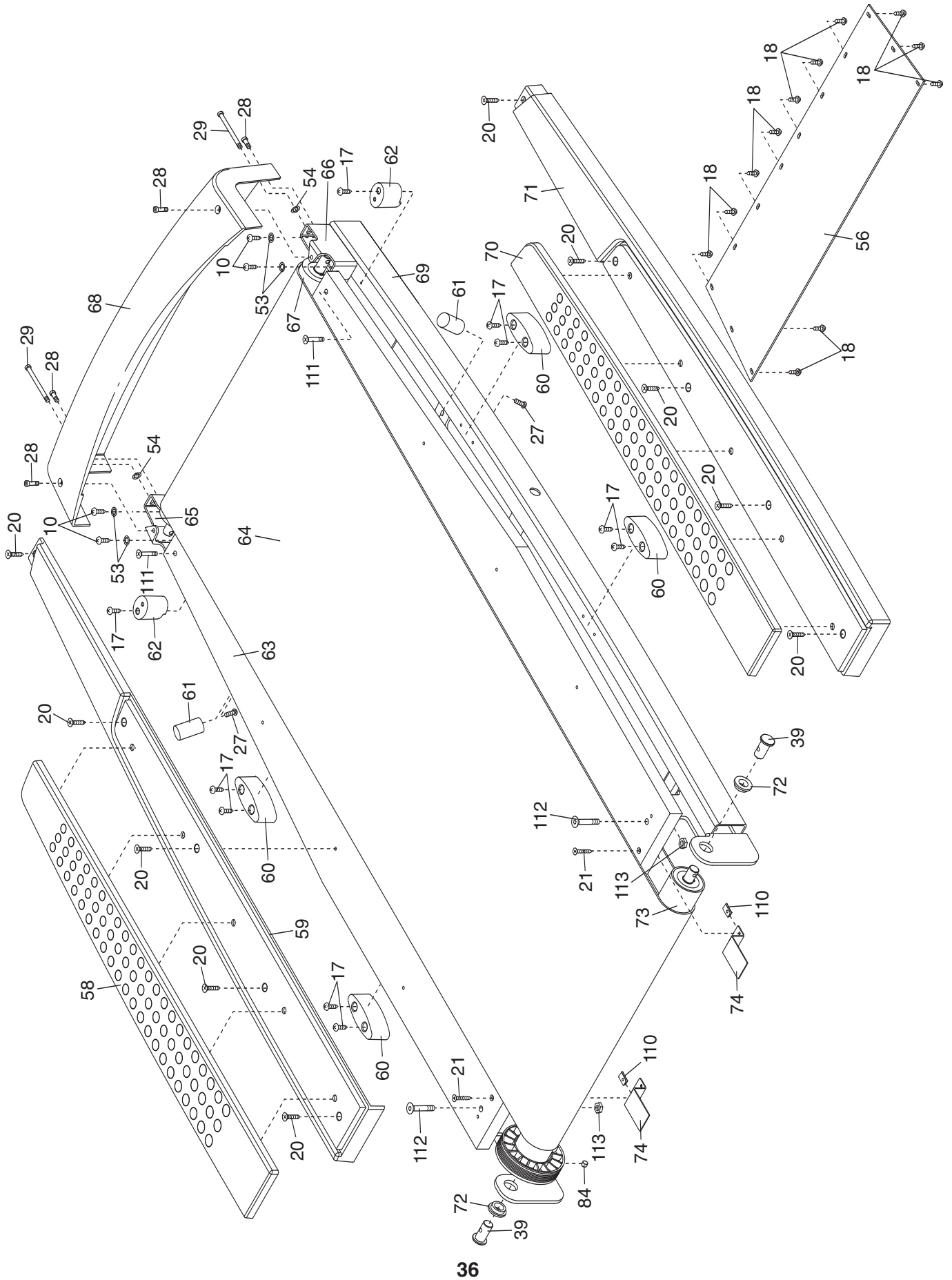


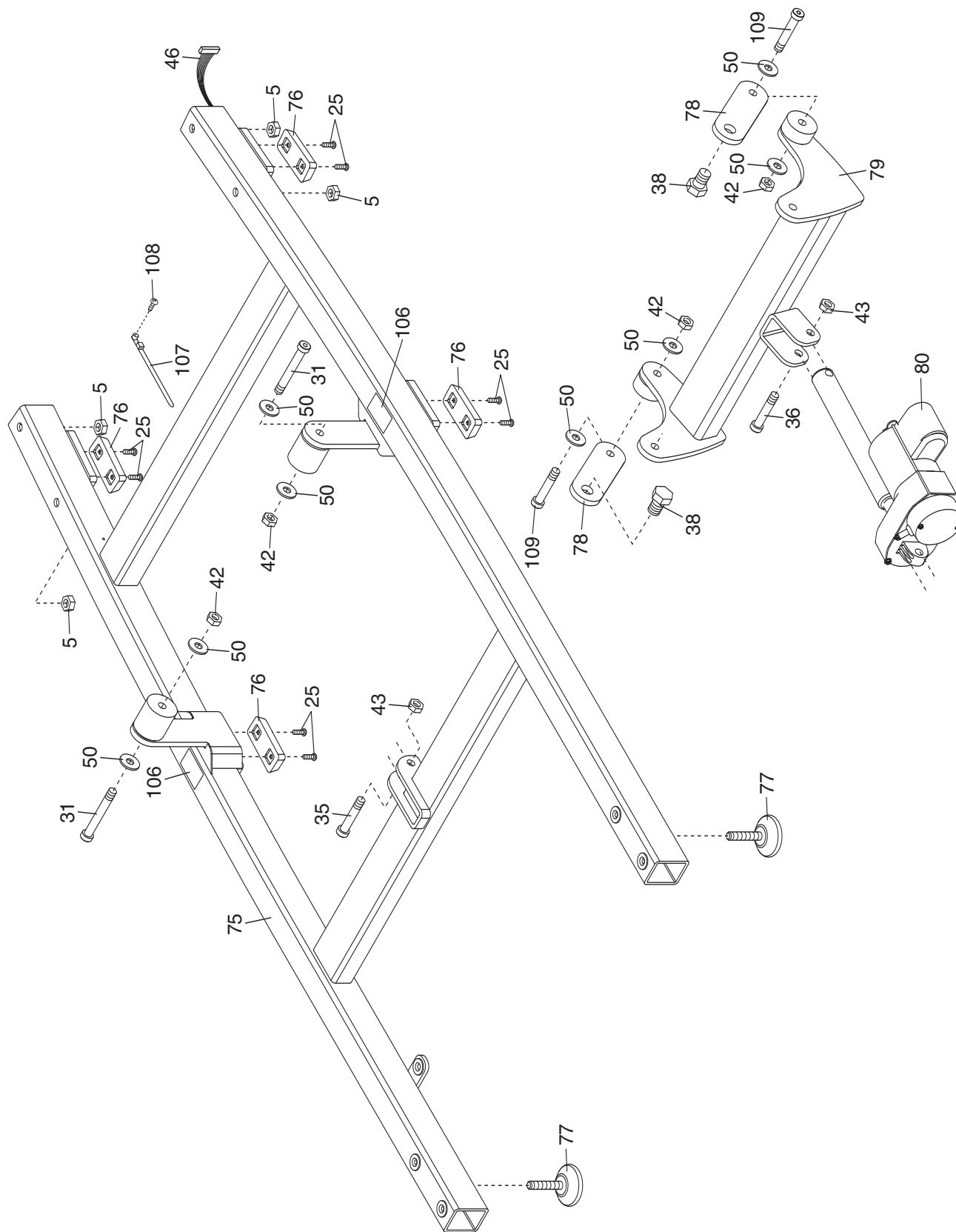
EXPLODED DRAWING A—Model No. VMTL83607.1

R0108A



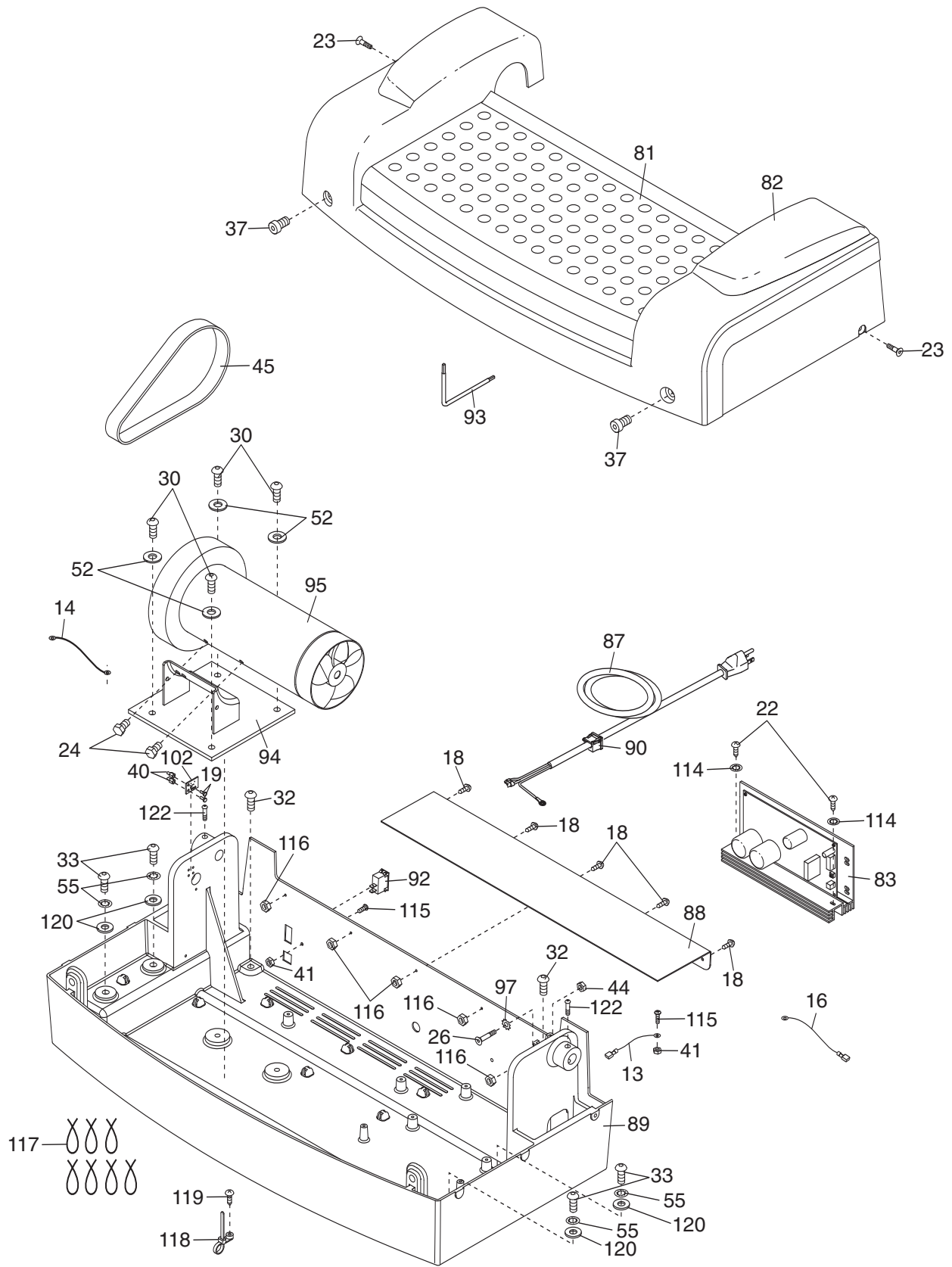
EXPLODED DRAWING B—Model No. VMTL83607.1

R0108A



EXPLODED DRAWING C—Model No. VMTL83607.1

R0108A



EXPLODED DRAWING D—Model No. VMTL83607.1

R0108A

