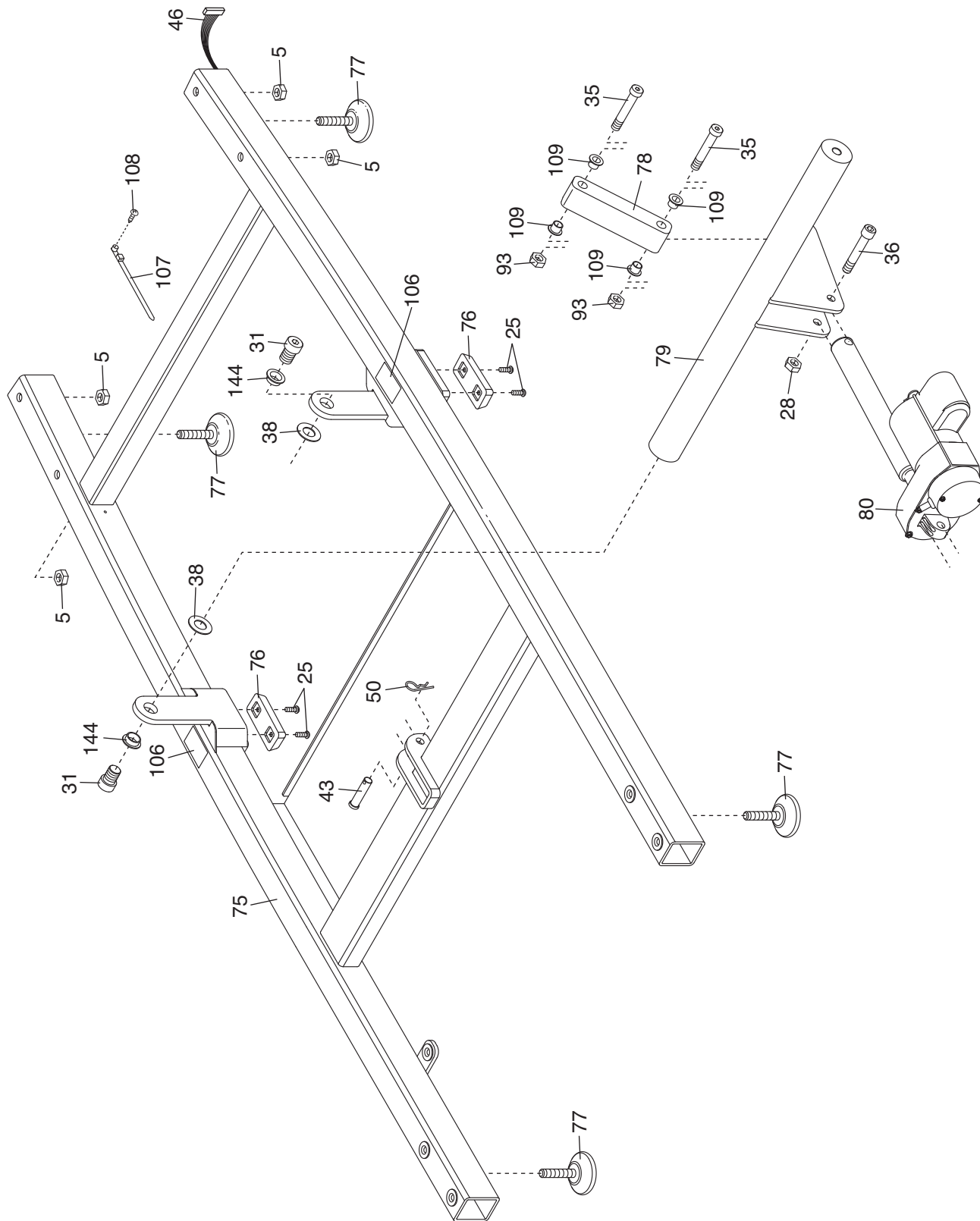


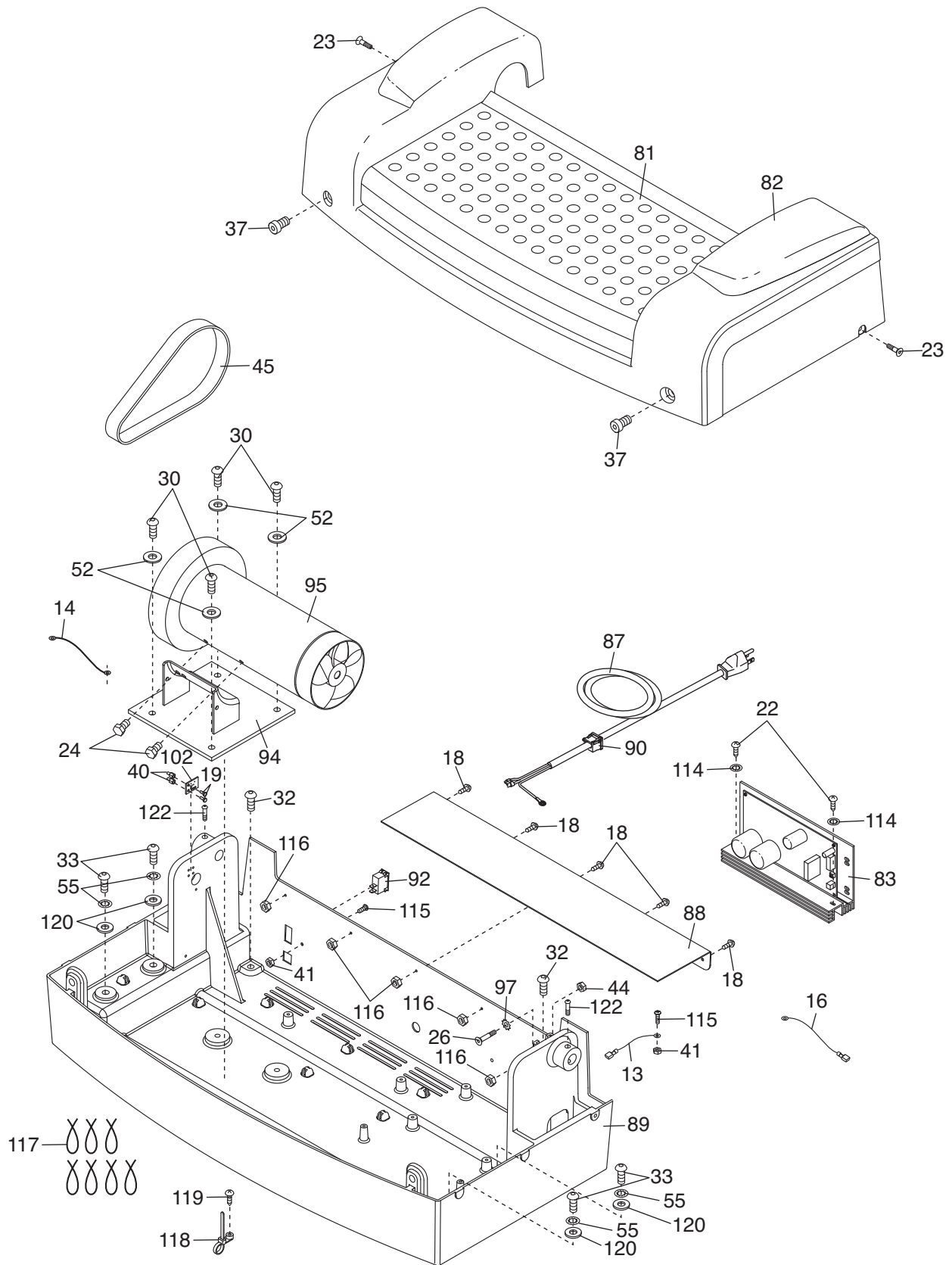
EXPLODED DRAWING B—Model No. VMTL83607.4

R1110A



EXPLODED DRAWING C—Model No. VMTL83607.4

R1110A



EXPLODED DRAWING D—Model No. VMTL83607.4

R1110A

