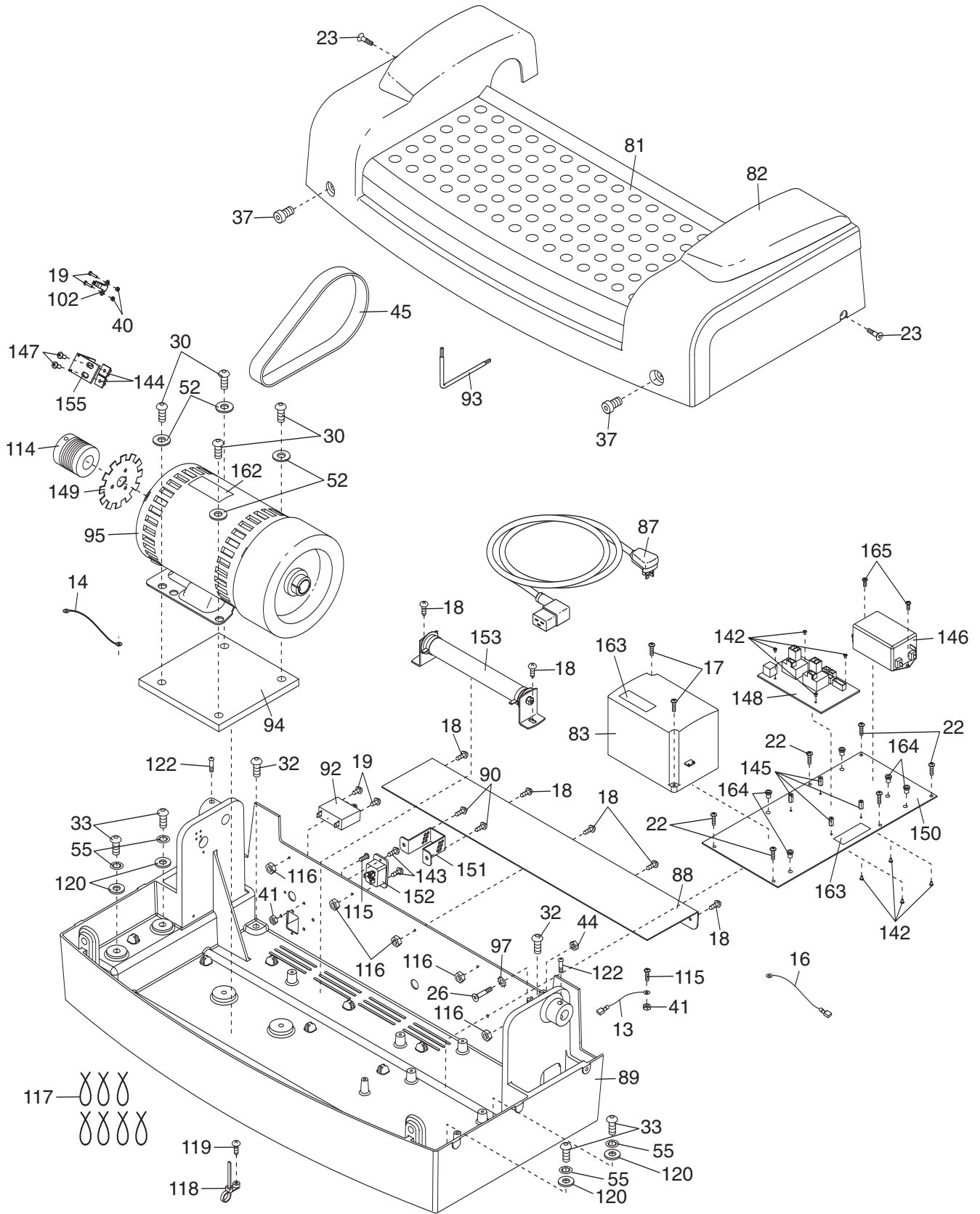


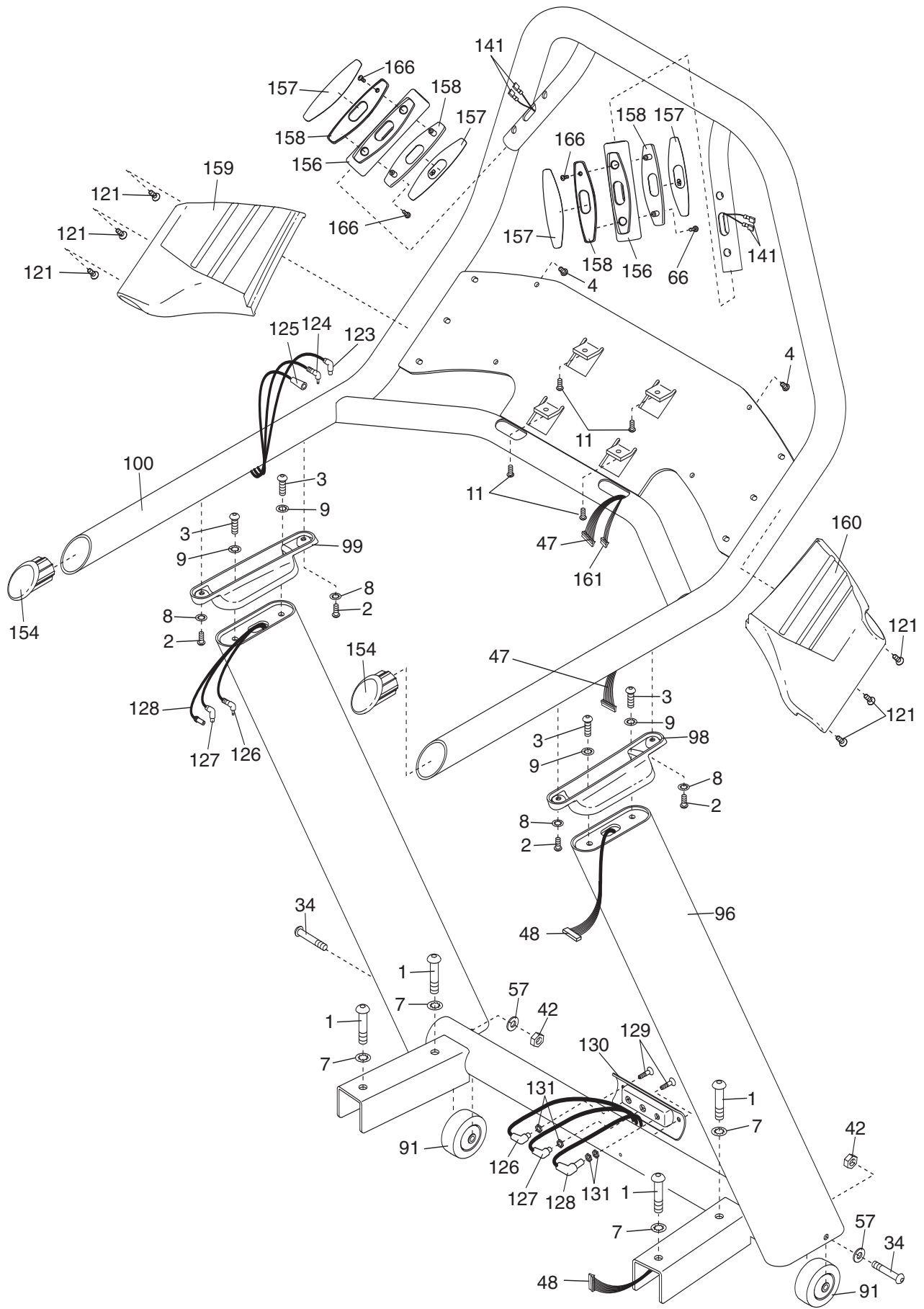
EXPLODED DRAWING C—Model No. VMTL83907.1

R0108A



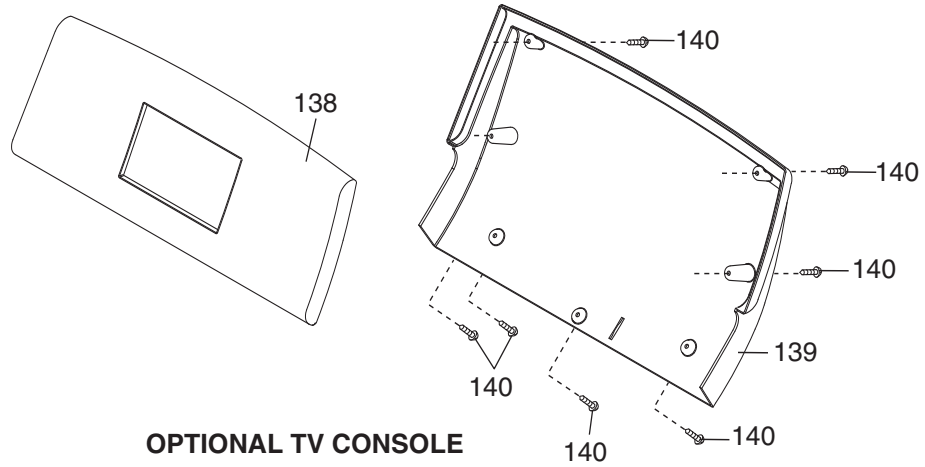
EXPLODED DRAWING D—Model No. VMTL83907.1

R0108A



EXPLODED DRAWING E—Model No. VMTL83907.1

R0108A



OPTIONAL TV CONSOLE

