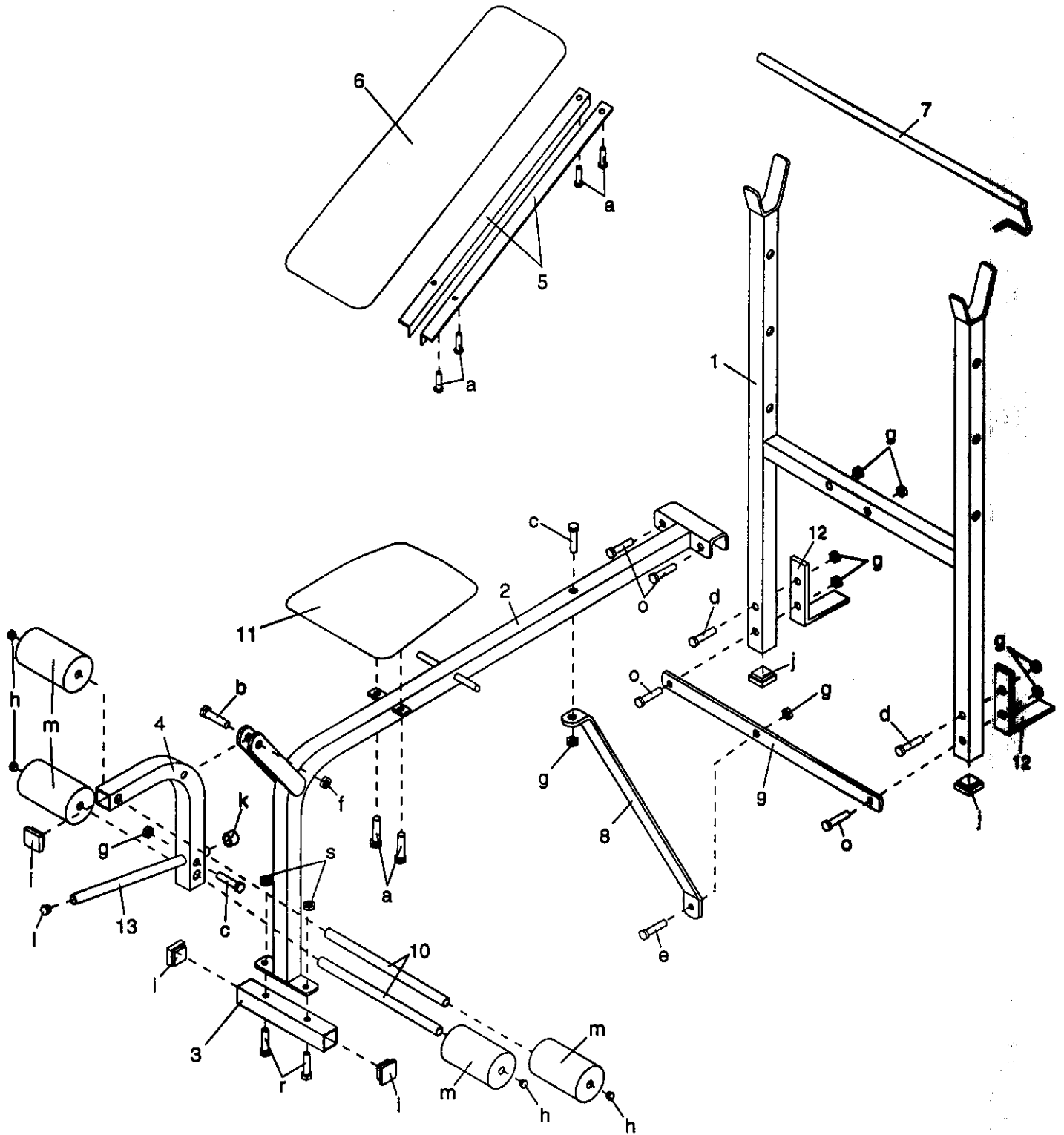


EXPLODED DRAWING—Model No. WB1200

R295A



MODEL NUMBER: WB120
 VERSION: 00
 PRODUCT NAME: WEIDER BRONZE MEDALLION
 PRODUCT DESC: BENCH

MODEL/PART BOOK LISTING

PAGE 1
 INI023P1
 RUN DATE: 2/16/95
 RUN TIME: 8:47:49

KEY NUMBER	PART NUMBER	DESCRIPTION	QUANTITY
.	.	WEIDER BRONZE MEDALLION	0
1	124024	UPRIGHT	1
2	123407	MAIN FRAME	1
3	123408	FRONT SUPPORT	1
4	123409	LEG CURL FRAME	1
5	123410	ANGLE IRON	2
6	123397	BACKREST	1
7	123412	BACKREST SUPPORT BAR	1
8	123413	DIAGONAL BRACE	1
9	123414	CROSS BRACE	1
10	123415	PAD BAR	2
11	123398	SEAT	1
12	123416	L-BRACKET	2
13	123419	WEIGHT TUBE	1
A	121686	1/4" X 3/4" SCREW	6
B	013574	3/8" X 2 1/4" BOLT	1
C	013293	5/16" X 1 3/4" BOLT	2
D	013464	5/16" X 2" BOLT	2
E	013211	5/16" X 3/4" BOLT	1
F	012108	3/8" LOCK NUT	1
G	012082	5/16" LOCK NUT	9
H	115366	3/4" ROUND PLASTIC PLUG	4
I	120694	1.25" ROUND PLASTIC PLUG	3
J	103833	1.5" SQUARE PLASTIC PLUG	2
K	123396	1" ROUND TAPPED CAP	1
L	120733	1" ROUND PLASTIC PLUG	1
M	104869	2 3/4" X 5" FOAM PAD	4
O	102884	5/16" X 2.25" BOLT	4
R	124154	1/4" X 1.5" MACHINE SCREW	2
S	012090	1/4" LOCK NUT	2
.	.	NON-ILLUSTRATED PARTS	0
#	NSP	DECAL SHEET	1
#	124156	ASSEMBLY INSTRUCTIONS	1
#	123956	EXERCISE CHART	1