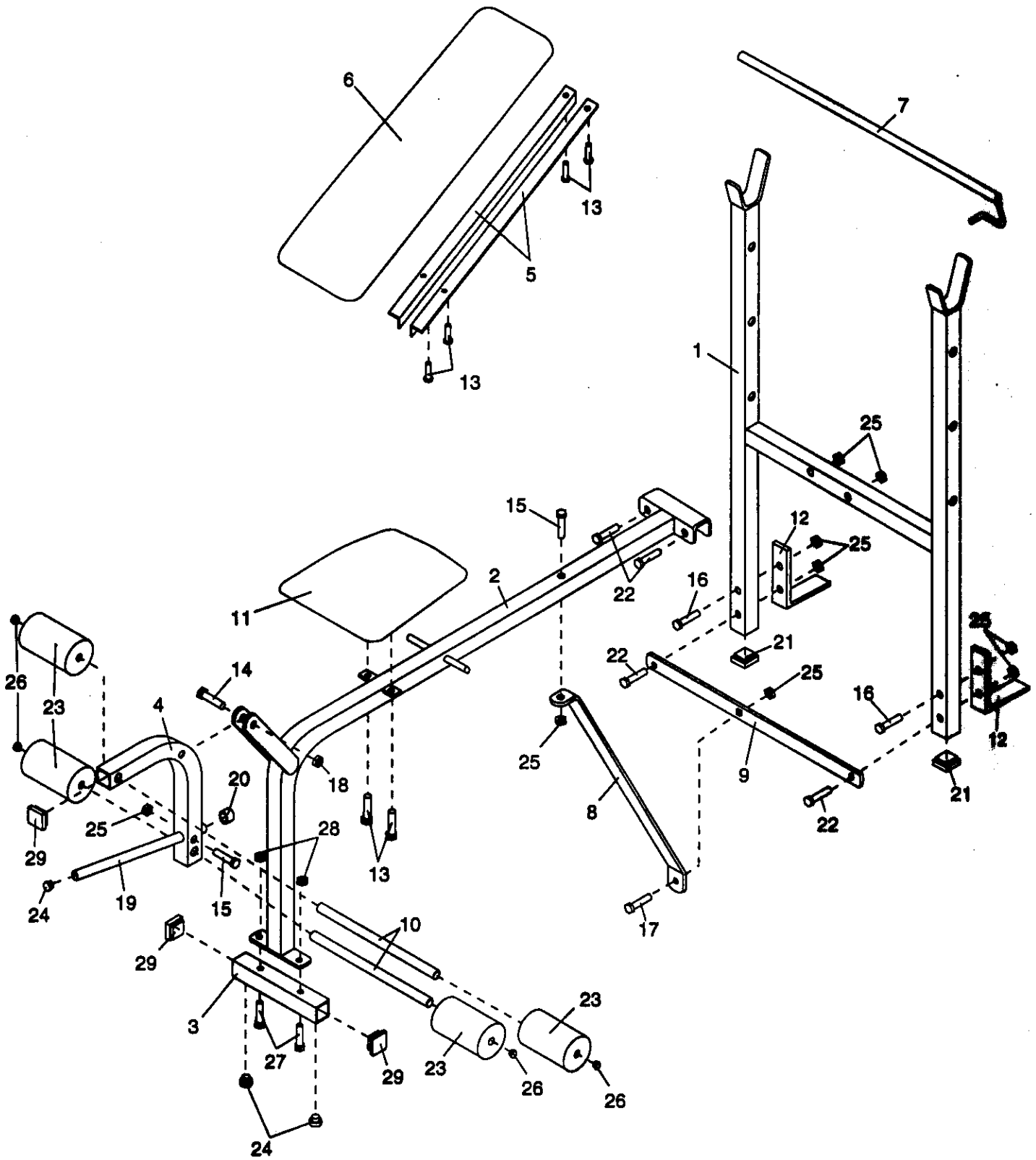


EXPLODED DRAWING—Model No. WB1201

R1294A



MODEL NUMBER: WB120
 VERSION: 01
 PRODUCT NAME: WEIDER WFS SERIES 120
 PRODUCT DESC: WEIGHT BENCH

MODEL/PART BOOK LISTING

PAGE 1
 INI023P1
 RUN DATE: 2/01/95
 RUN TIME: 9:05:00

KEY NUMBER	PART NUMBER	DESCRIPTION	QUANTITY
.	.	WEIDER WFS SERIES 120	0
1	124024	"H" FRAME	1
2	NSP	MAIN FRAME	1
3	124026	STABILIZER	1
4	124027	LEG LEVER	1
5	124028	BACKREST BRACKET	2
6	124029	BACKREST	1
7	124030	SUPPORT ROD	1
8	124031	DIAGONAL BRACE	1
9	124032	CROSS BRACE	1
10	124033	PAD TUBE	2
11	124034	SEAT	1
12	124035	"L" BRACKET	2
13	123394	1/4" X 3/4" SCREW	6
14	013574	3/8" X 2 1/4" BOLT	1
15	013293	5/16" X 1 3/4" BOLT	2
16	013464	5/16" X 2" BOLT	2
17	013211	5/16" X 3/4" BOLT	1
18	012108	3/8" NYLON LOCKNUT	1
19	124036	1 3/4" WEIGHT TUBE	1
20	123396	1" ANGLED ROUND CAP	1
21	103833	1 1/2" SQUARE INNER CAP	2
22	102884	5/16" X 2 1/4" BOLT	4
23	124037	5" FOAM PAD	4
24	120733	1" ROUND INNER CAP	3
25	012082	5/16" NYLON LOCKNUT	2
26	115366	3/4" ROUND INNER CAP	4
27	103163	1/4"X1 3/4" CARRIAGE BOLT	2
28	012090	1/4" NYLON LOCKNUT	2
29	120694	1 1/4" SQUARE INNER CAP	3
.	.	NON-ILLUSTRATED PARTS	0
#	120641	"SERIES 120" DECAL	1
#	123956	EXERCISE CHART	1
#	123578	OWNER'S MANUAL	1
#	124038	LITPAC	1
.	.	123578 OWNER'S MANUAL	1
.	.	123956 EXERCISE CHART	1
.	.	120641 FRAME DECAL	1
#	.	HARDWARE KIT ASSEMBLY	1
.	.	013574 3/8" X 2.25" SCREW	1
.	.	102884 5/16" X 2.25" SCRW	4
.	.	013464 5/16" X 2" SCREW	2
.	.	013293 5/16" X 1.75" SCRW	2
.	.	013211 5/16" X .75 SCREW	1
.	.	103163 1/4" X 1.75" BOLT	2
.	.	123394 1/4" X .75" SCREW	6
.	.	012108 3/8" NYLON LOCKNUT	1
.	.	012090 1/4" NYLON LOCKNUT	1
.	.	012082 5/16" NYLON LOCKNT	9
.	.	103833 1.5" SQ ENDCAP	2
.	.	120694 1.25" SQ ENDCAP	3
.	.	115366 .75" RND ENDCAP	4
.	.	120733 1" RND ENDCAP	3
.	.	123396 1" RND ENDCAP	1