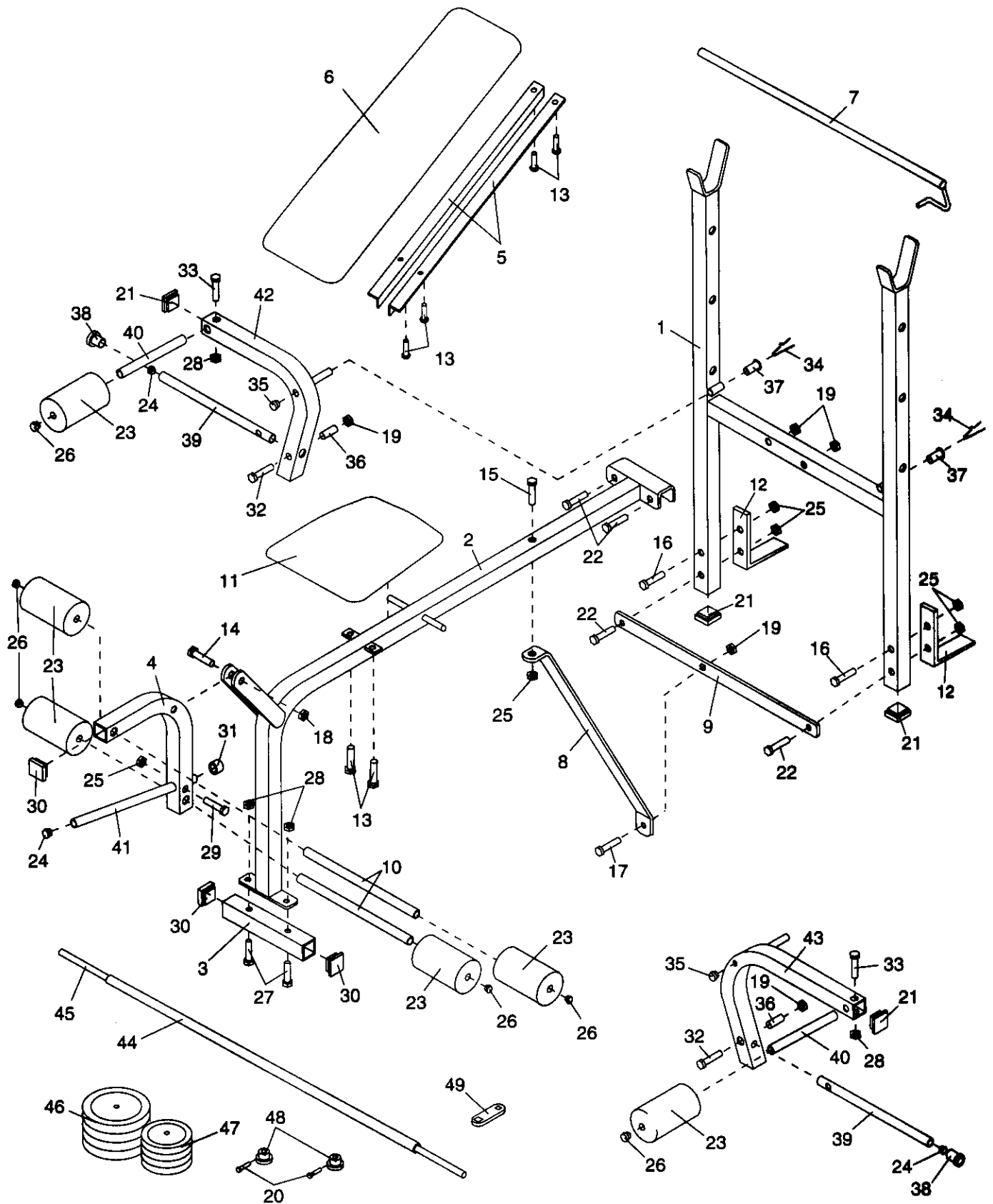


# EXPLODED DRAWING—Model No. WB1350

R101394A



MODEL NUMBER: WB135  
 VERSION: 00  
 PRODUCT NAME: WELDER SERIES 135 BENCH  
 PRODUCT DESC:

MODEL/PART BOOK LISTING

PAGE 1  
 INI023P1  
 RUN DATE: 5/30/96  
 RUN TIME: 15:36:15

KEY NUMBER	PART NUMBER	DESCRIPTION	QUANTITY
.	.	1994 BENCH	0
.	.	WELDER SERIES 135 BENCH	0
1	123406	"H" FRAME	1
2	123407	MAIN FRAME	1
3	123408	STABILIZER	1
4	123409	LEG LEVER	1
5	123410	BACKREST BRACKET	2
6	123397	BACKREST	1
7	123412	SUPPORT ROD	1
8	123413	DIAGONAL BRACE	1
9	123414	CROSS BRACE	1
10	123415	PAD TUBE	2
11	123398	SEAT	1
12	123416	"L" BRACKET	2
13	119186	1/4" X 3/4" SCREW	6
14	013580	3/8" X 2" BOLT	1
15	013293	5/16" X 1 3/4" BOLT	1
16	013464	5/16" X 2" BOLT	2
17	013211	5/16" X 3/4" BOLT	1
18	105133	3/8" JAM NUT	1
19	012082	5/16" NYLON LOCKNUT	5
20	121992	SET SCREW	2
21	107346	1 1/2" SQ INNER CAP	4
22	102884	5/16" X 2 1/4" BOLT	4
23	103805	6" FOAM PAD	6
24	103343	1" ROUND INNER CAP	3
25	119440	5/16" JAM NUT	6
26	115366	3/4" ROUND INNER CAP	6
27	123393	1/4" X 1 3/4" SCREW	2
28	012090	1/4" NYLON LOCKNUT	4
29	013210	5/16" X 1 1/2" BOLT	1
30	120694	1 1/4" SQ INNER CAP	3
31	123396	1" ANGLED ROUND CAP	1
32	120737	5/16" X 5" BOLT	2
33	123392	1/4" X 2" SCREW	2
34	123402	SPRING CLIP	2
35	119971	7/8" ROUND INNER CAP	2
36	123405	1/2" X 3" PLASTIC SPACER	2
37	123404	1 1/8" X 2.5" PLSTIC SLEEVE	2
38	123403	WEIGHT STOP	2
39	123417	11" WEIGHT TUBE	2
40	123418	9" PAD TUBE	2
41	123419	11 3/4" WEIGHT TUBE	1
42	123420	RIGHT ARM	1
43	123421	LEFT ARM	1
44	123597	NYLON SLEEVE	1
45	123596	BARBELL	1
46	123764	LARGE WEIGHT	4
47	NLA	SMALL WEIGHT	4
48	123766	COLLAR	2
49	123744	SET SCREW WRENCH	1
.	.	NON-ILLUSTRATED PARTS	0
#	123390	CONSUMER NOTICE-BKRST MTG	1
#	122366	UPRIGHT SERIES 135 DECAL*	1

MODEL NUMBER: WB135  
 VERSION: 00  
 PRODUCT NAME: WEIDER SERIES 135 BENCH  
 PRODUCT DESC:

MODEL/PART BOOK LISTING

PAGE 2  
 INI023P1  
 RUN DATE: 5/30/96  
 RUN TIME: 15:36:15

KEY NUMBER	PART NUMBER	DESCRIPTION	QUANTITY
#	122835	EXERCISE GUIDE	1
#	122834	OWNER'S MANUAL	1
#	124524	LITERATURE PACKET	1
.	.	122834 OWNER'S MANUAL	1
.	.	122835 EXERCISE MANUAL	1
.	.	123390 CN-BACKREST MTG	1
.	.	122366 UPRIGHT DECAL	1
.	124525	HARDWARE KIT	1
.	.	013580 3/8" X 2" SCREW	1
.	.	120737 5/16" X 5" SCREW	2
.	.	102884 5/16" X 2.25" SCRW	4
.	.	013464 5/16" X 2" SCREW	2
.	.	013293 5/16" X 1.75" SCRW	1
.	.	013210 5/16" X 1.5" SCREW	1
.	.	013211 5/16" X .75" SCREW	1
.	.	123392 1/4" X 2" SCREW	2
.	.	123393 1/4" X 1.75" SCREW	2
.	.	123394 1/4" X .75" SCREW	6
.	.	105133 3/8" HEX LOCK NUT	1
.	.	012082 5/16" NYL LOCK NUT	5
.	.	119440 5/16" NYL LOCK NUT	6
.	.	012090 1/4" NYL LOCK NUT	4
.	.	123402 SPRING PIN	2
.	.	123403 WEIGHT STOP	2
.	.	123404 1.25" BUSHING	2
.	.	123405 2.9" PLASTIC SPCR	2
.	.	107346 1.5" SQ ENDCAP	4
.	.	120694 1.25" SQ ENDCAP	3
.	.	123396 1" EXTERNAL ENDCAP	1
.	.	103343 PLASTIC ENDCAP	3
.	.	119971 7/8" ENDCAP	2
.	.	115366 .75" ENDCAP	6
.	.	** - THESE ARE ESTIMATED COSTS!!	0
.	.		0