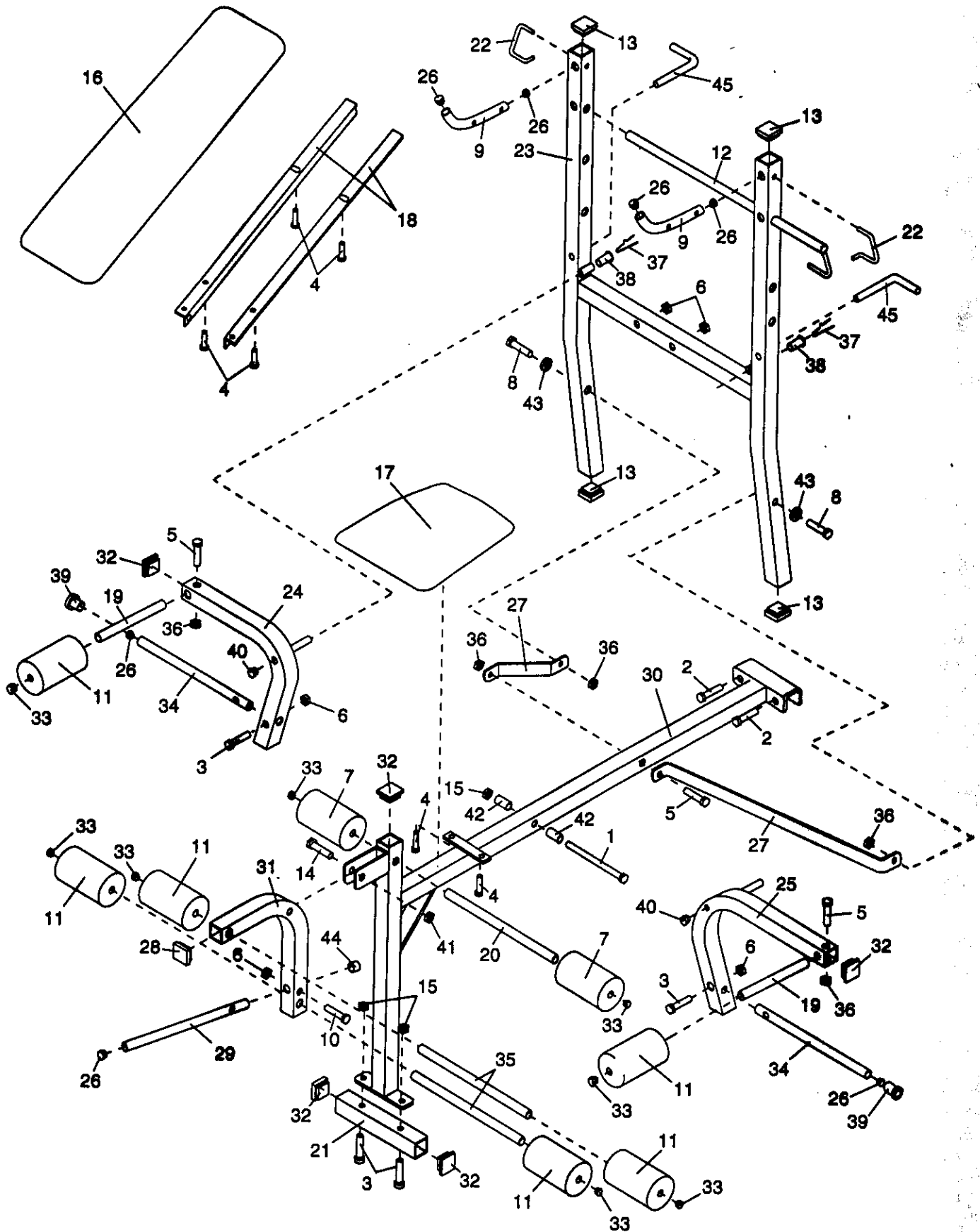


# EXPLODED DRAWING—Model No. WB1430

R1094A



MODEL NUMBER: WB143

MODEL/PART BOOK LISTING

PAGE 1

VERSION: 00

INI023P1

PRODUCT NAME: WEIDER WFS SERIES 143 BENCH

RUN DATE: 5/30/96

PRODUCT DESC:

RUN TIME: 15:36:41

KEY NUMBER	PART NUMBER	DESCRIPTION	QUANTITY
1	101278	5/16" X 3" BOLT	1
2	013464	5/16" X 2" BOLT	2
3	013293	5/16" X 1 3/4" BOLT	4
4	119186	1/4" X 3/4" SCREW	6
5	123392	1/4" X 2" SCREW	3
6	119440	5/16" JAM NUT	5
7	115632	6" FOAM PAD	2
8	122536	1/4" X 2 3/4" SCREW	2
9	124079	WEIGHT REST/DIP HANDLE *	2
10	013210	5/16" X 1 1/2" BOLT	1
11	103805	6" FOAM PAD	6
12	124080	BACKREST BAR *	1
13	108741	1 1/2" X 2" INNER CAP	4
14	013574	3/8" X 2 1/4" BOLT	1
15	012082	5/16" NYLON LOCK NUT	3
16	124029	BACKREST *	1
17	124034	SEAT *	1
18	123410	BACKREST BRACKET	2
19	123418	9" PAD TUBE	2
20	120117	13" PAD TUBE	1
21	124026	BASE	1
22	124073	ADJUSTMENT PIN *	2
23	124081	"H" FRAME *	1
24	124082	RIGHT ARM *	1
25	124083	LEFT ARM *	1
26	103343	1" ROUND INNER CAP	7
27	124084	BRACE *	2
28	120694	1 1/4" X 1 1/4" INNER CAP	1
29	124036	11 3/4" WEIGHT TUBE *	1
30	124085	MAIN FRAME *	1
31	124027	LEG LEVER	1
32	107346	1 1/2" X 1 1/2" INNER CAP	5
33	115366	3/4" ROUND INNER CAP	8
34	124108	11" WEIGHT TUBE *	2
35	124033	11 1/4" PAD TUBE	2
36	012090	1/4" NYLON LOCK NUT	5
37	123402	SPRING CLIP	2
38	123404	FLANGED PLASTIC SLEEVE	2
39	123403	WEIGHT STOP	2
40	119971	7/8" ROUND INNER CAP	2
41	012108	3/8" NYLON LOCK NUT	1
42	122676	1/2"X7/16" METAL SPACER *	2
43	014127	1/4" FLAT WASHER	2
44	123396	1" ROUND OUTER CAP	1
45	124072	"L" PIN *	2
.	.	NON-ILLUSTRATED PARTS	0
#	122365	FRAME DECAL *	1
#	123956	EXERCISE WALL CHART	1
#	122865	CN-EXERCISE UPDATE *	1
#	122832	CONSUMER NOTICE, STEP 9 *	1
#	111114	SPRING CLIP	2
#	122423	OWNER'S MANUAL *	1
#	124111	LITERATURE PACKET *	1
.	.	122423 OWNER'S MANUAL	1

MODEL NUMBER: WB143  
 VERSION: 00  
 PRODUCT NAME: WEIDER WFS SERIES 143 BENCH  
 PRODUCT DESC:

MODEL/PART BOOK LISTING

PAGE: 2  
 INFO23P1  
 RUN DATE: 5/30/96  
 RUN TIME: 15:36:41

KEY NUMBER	PART NUMBER	DESCRIPTION	QUANTITY
.	.	123956 EXERCISE CHART	1
.	.	122365 FRAME DECAL	1
.	.	122832 CN-STEP 9	1
.	.	122865 CN-EXERCISE UPDATE	1
.	.	NOTE: HARDWARE KIT IS NOT	0
.	.	INCLUDED IN LITPAC	0
#	124112	HARDWARE KIT	1
.	.	101278 5/16 X 3" BOLT	1
.	.	013574 3/8 X 2 1/4" BOLT	1
.	.	013464 5/16 X 2" BOLT	2
.	.	013293 5/16 X 1 3/4" BOLT	4
.	.	013210 5/16 X 1 1/2" BOLT	1
.	.	122536 1/4 X 2 1/2" SCREW	2
.	.	123392 1/4 X 2" SCREW	3
.	.	123394 1/4 X 3/4" SCREW	6
.	.	012090 1/4" NYLON NUT	5
.	.	119440 5/16" JAM NUT	5
.	.	012082 5/16" NYLON NUT	3
.	.	012108 3/8" NYLON NUT	1
.	.	014127 1/4" FLAT WASHER	2
.	.	122676 1/2"X7/16" SPACER	2
.	.	115366 3/4" RND INNER CAP	8
.	.	119971 7/8" RND INNER CAP	2
.	.	103343 1" RND INNER CAP	7
.	.	120694 1 1/4" SQ INT CAP	1
.	.	107346 1 1/2" SQ INT CAP	5
.	.	108741 1.5" X 2" INT CAP	4
.	.	123396 1" RND EXT CAP	1
.	.	123404 FLANGED SLEEVE	2
.	.	123403 WEIGHT STOP	2
.	.	124072 "L" PIN	2
.	.	123402 SPRING CLIP	2
.	.	111114 SPRING CLIP	2
.	.	124073 ADJUSTMENT PIN	2
.	.	** - THESE ARE ESTIMATED	0
.	.	COSTS!!	0