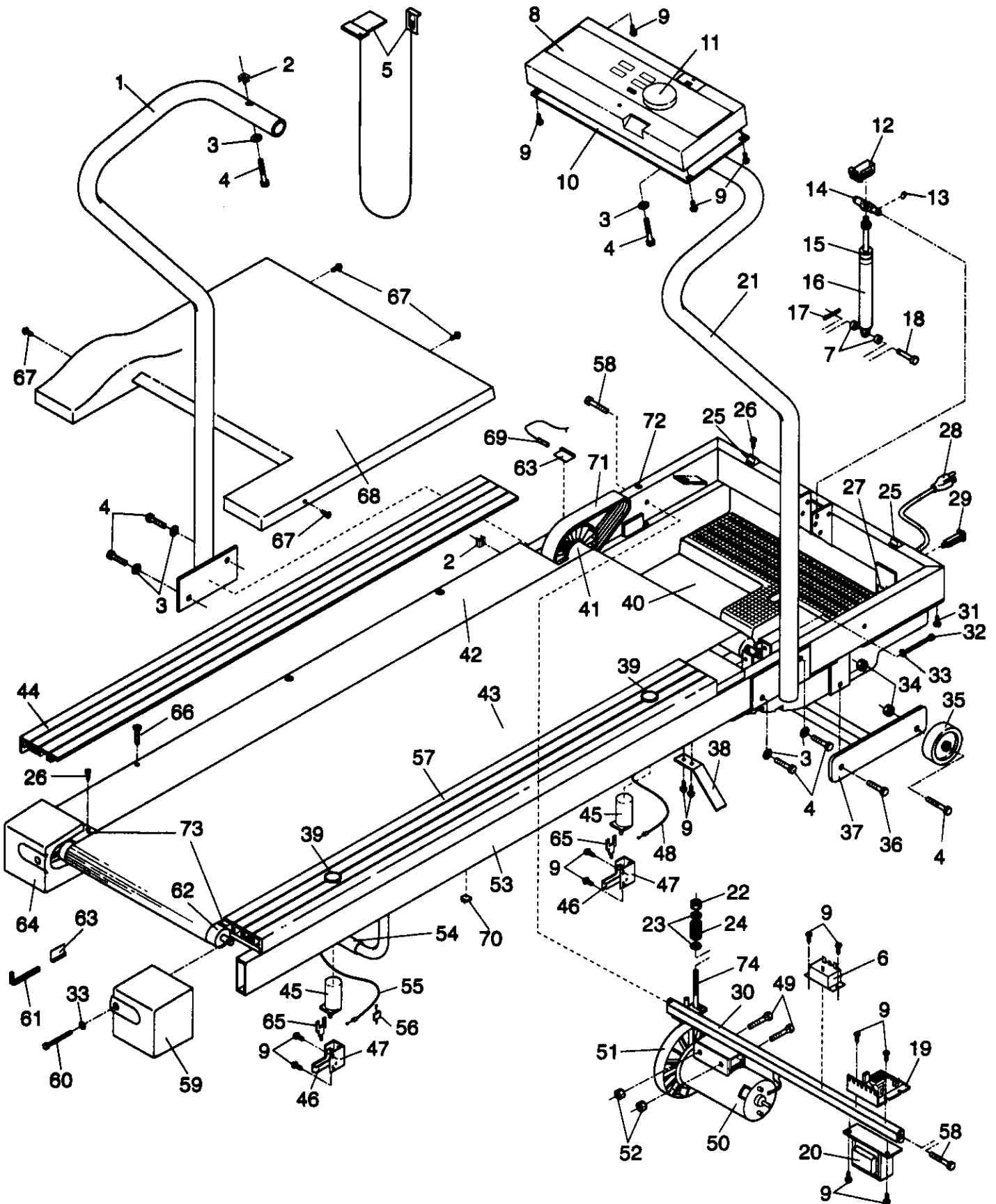


EXPLODED DRAWING—Model No. WC006032

R894A



MODEL NUMBER: WC00603
 VERSION: 02
 PRODUCT NAME: PROFORM ESP 6
 PRODUCT DESC: TREADMILL

MODEL/PART BOOK LISTING

PAGE 1
 IN1023P1
 RUN DATE: 9/29/94
 RUN TIME: 8:56:22

KEY NUMBER	PART NUMBER	DESCRIPTION	QUANTITY
	.	PROFORM ESP 6 TREADMILL	0
1	113237	LEFT HANDRAIL	1
2	111869	HANDRAIL CAGE NUT	4
3	014087	HANDRAIL WASHER	6
4	013564	CONSOLE/WHL/HANDRAIL BOLT	8
5	106337	SAFETY KEY/CLIP	1
6	111998	RELAY SWITCH	1
7	114270	SHOCK SPACER	2
8	116458	CONSOLE ASSEMBLY	1
	.	114853 CONSOLE	1
	.	115741 CONSOLE DECAL	1
	.	040185 PLUG	1
	.	114362 CN-INSTALL INSTR.	1
9	108080	SCREW	21
10	113284	CONSOLE PLATE	1
11	110000	SPEED CONTROL KNOB	1
12	110846	SHOCK RELEASE	1
13	054016	E-CLIP	1
14	115672	SHOCK BRACKET	1
15	105309	SHOCK SPACER	1
16	111436	INCLINE SHOCK W/RI	1
	.	112582 INCLINE SHOCK	1
	.	111435 REPLACEMENT INSTR.	1
17	106334	COTTER PIN	1
18	112669	SHOCK PIN	1
19	116251	CONTROLLER W/RI	1
	.	112921 CONTROLLER	1
	.	116250 REPLACEMENT INSTR.	1
20	031238	CHOKE	1
21	113239	RIGHT HANDRAIL	1
22	012082	TENSION NUT	1
23	014041	TENSION WASHER	2
24	104514	TENSION SPRING	1
25	113106	HOOD ANCHOR	4
26	013300	ANCHOR/GUARD SCREW	6
27	019084	GROMMET	1
28	106903	POWER CORD	1
29	109383	CIRCUIT BREAKER	1
30	115929	MOTOR SWIVEL W/RI	1
	.	115928 MOTOR SWIVEL	1
	.	115930 REPLACEMENT INSTR.	1
31	013088	BELLY PAN SCREW	10
32	112609	FRONT ROLLER ADJ. BOLT	1
33	014127	ROLLER ADJUSTMENT WASHER	3
34	012108	LOCKNUT	4
35	052014	FRONT WHEEL	2
36	104581	LEG BOLT	2
37	113224	INCLINE LEG	1
38	109265	BELT GUIDE	2
39	113227	INCLINE KNOB SLEEVE	2
40	114611	BELLY PAN	1
41	117273	FRONT ROLLER/PULLEY ASSY.	1
42	115037	WALKING PLATFORM W/RI	1
	.	113221 WALKING PLATFORM	1

MODEL NUMBER: WC00603
 VERSION: 02
 PRODUCT NAME: ESP 6
 PRODUCT DESC:

MODEL/PART BOOK LISTING

IN10231
 RUN DATE: 11/29/94
 RUN TIME: 10:50:42

KEY NUMBER	PART NUMBER	DESCRIPTION	QUANTITY
43	110821	110583 REPLACEMENT INSTR. WALKING BELT W/RI	1
	.	025058 WALKING BELT	1
	.	110585 REPLACEMENT INSTR.	1
44	113233	LEFT FOOT RAIL	1
45	116153	FOOT INCLINE KNOB	1
46	116155	INCLINE LEVER	2
47	114926	INCLINE KNOB BRACKET	2
48	110928	SHORT INCLINE CABLE	2
49	100994	MOTOR BOLT	1
50	116456	MOTOR W/RI	2
	.	114688 MOTOR	1
	.	114457 REPLACEMENT INSTR.	1
50A	116457	MOTOR/PULY/FLYWHL/FAN ASY	1
	.	114688 MOTOR	1
	.	108277 PULY/FLYWHL/FAN	1
	.	114457 REPLACEMENT INSTR.	1
51	108277	PULLEY/FLYWHEEL/FAN ASSY.	1
52	105477	MOTOR NUT	1
53	NSP	FRAME	2
54	110407	REAR LEG PAD	1
55	110929	LONG INCLINE CABLE	1
56	102585	CABLE TIE	1
57	113232	RIGHT FOOT RAIL	3
58	101627	MOTOR SWIVEL BOLT	1
59	113044	RIGHT ENDCAP	2
60	105444	REAR ROLLER ADJ. BOLT	1
61	045010	ALLEN WRENCH	2
62	110245	REAR ROLLER W/RI	1
	.	070084 REAR ROLLER	1
	.	103847 REPLACEMENT INSTR.	1
63	016028	WRENCH CLIP	1
64	113043	LEFT ENDCAP	1
65	116154	PEDAL EXTENSION	1
66	100691	PLATFORM SCREW	2
67	108404	MOTOR HOOD SCREW	6
68	116459	MOTOR HOOD W/DECALS	4
	.	114682 MOTOR HOOD	1
	.	114683 MOTOR HOOD DECAL	1
	.	114684 WIRE DIAGRAM DECAL	1
69	115572	REED SWITCH/SENSOR WIRE	1
70	111680	REED SWITCH CLIP	1
71	106939	BELT	3
72	016055	WIRE CLIP	1
73	010206	ROLLER GUARD	4
74	103855	J-BOLT	2
.	.	NON-ILLUSTRATED PARTS:	1
A	040185	CONSOLE PLUG	0
B	114854	POWER WIRE HARNESS, 100"L	1
C	112084	JUMPER WIRE, WHITE	1
D	112083	JUMPER WIRE, BLUE, 8" L	1
E	114105	JUMPER WIRE, WHITE, 4" L	1
F	114106	PIGTAIL WIRE, BLUE, 4" L	1
G	113141	FRAME DECAL	1

MODEL NUMBER: WC00603
VERSION: 02
PRODUCT NAME: PROFORM ESP 6
PRODUCT DESC: TREADMILL

MODEL/PART BOOK LISTING

PAGE 3

INI023P

RUN DATE: 9/29/94

RUN TIME: 8:56:22

KEY NUMBER	PART NUMBER	DESCRIPTION	QUANTITY
H	114683	MOTOR HOOD DECAL	1
I	114684	WIRE DIAGRAM DECAL	1
J	115741	CONSOLE ON/OFF DECAL	1
K	117695	OWNER'S MANUAL (ENGLISH)	1
L	118214	OWNER'S MANUAL (FRENCH)	1
	117696	LITERATURE PACKET	1
	.	117695 OM (ENGLISH)	1
	.	118214 OM (FRENCH)	1
	.	070307 SILICONE	1
	.	113248 HARDWARE KIT	1
	.	016028 WRENCH CLIP	1
	.	045010 ALLEN WRENCH	1
	.	013564 HANDRAIL BOLT	2
	.	014087 HANDRAIL WASHER	2