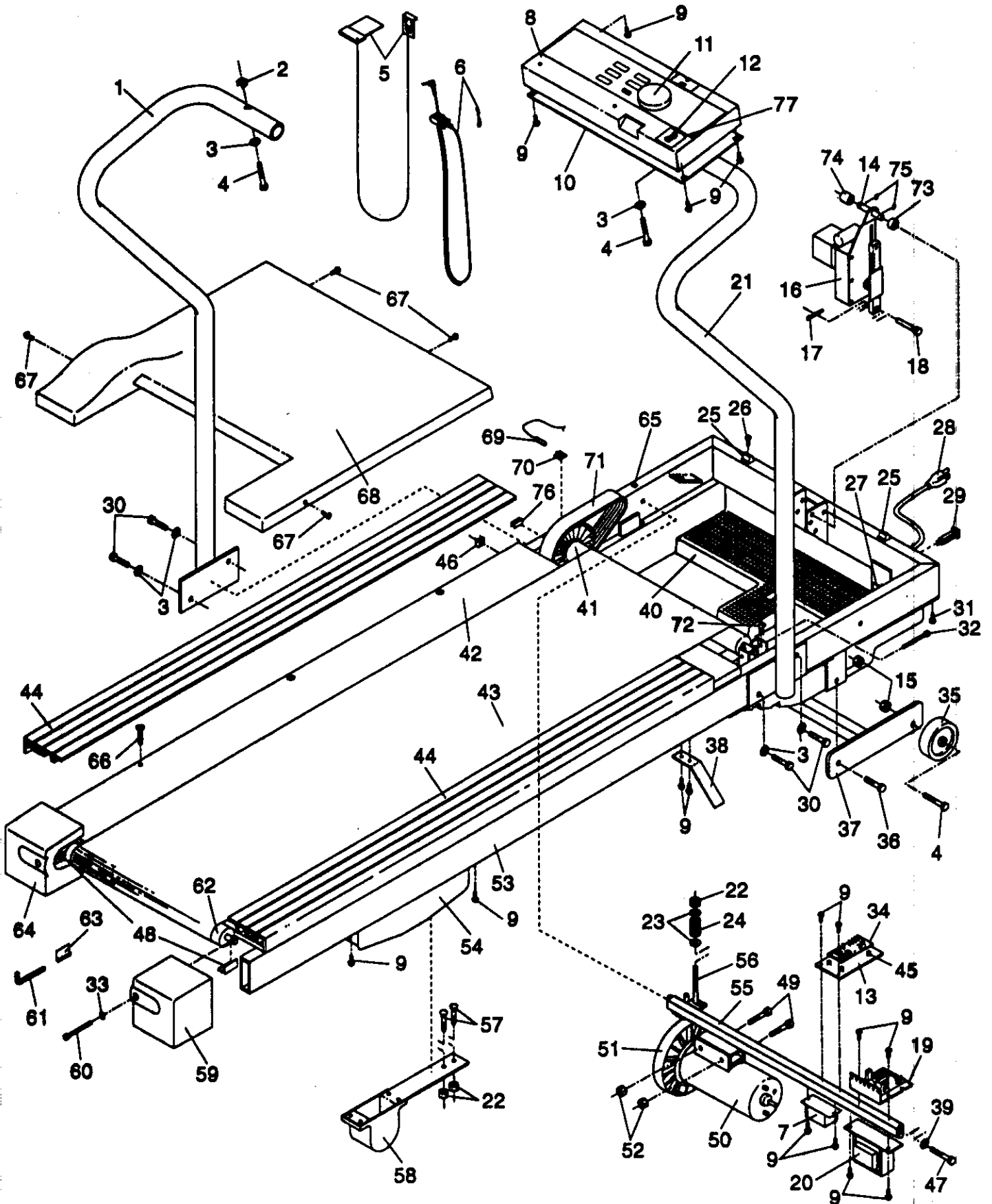


# EXPLODED DRAWING—Model No. WC008030

Rev. 12/93



MODEL NUMBER: WC00803  
 VERSION: 00  
 PRODUCT NAME: PROFORM ESP 8  
 PRODUCT DESC:

MODEL/PART BOOK LISTING

PAGE 1  
 IN102311  
 RUN DATE: 7/25/96  
 RUN TIME: 11:03:27

| KEY NUMBER | PART NUMBER | DESCRIPTION               | QUANTITY |
|------------|-------------|---------------------------|----------|
| 1          | 113237      | LEFT SIDERAIL             | 1        |
| 2          | 111430      | CONSOLE CAGE NUT          | 2        |
| 3          | 014087      | SIDERAIL WASHER           | 10       |
| 4          | 013564      | CONSOLE/WHEEL BOLT        | 4        |
| 5          | 106337      | SAFETY KEY/CLIP           | 1        |
| 6          | 119946      | PULSE/CLOTHES CLIP        | 1        |
| 7          | 111998      | RELAY SWITCH              | 1        |
| 8          | 117053      | CONSOLE ASSEMBLY          | 1        |
|            | .           | 114984 CONSOLE            | 1        |
|            | .           | 031108 SWITCH             | 1        |
|            | .           | 009135 BEZEL              | 1        |
|            | .           | 117054 REPLACEMENT INSTR. | 1        |
| 9          | 108080      | SCREW                     | 22       |
| 10         | 113284      | CONSOLE PLATE             | 1        |
| 11         | 110000      | SPEED CONTROL KNOB        | 1        |
| 12         | 031108      | INCLINE CONTROL           | 1        |
| 13         | 108973      | LIFT BOARD PLATE          | 1        |
| 14         | 015047      | INCLINE MOTOR PIN         | 1        |
| 15         | 012108      | LOCK NUT                  | 4        |
| 16         | 115523      | INCLINE MOTOR             | 1        |
| 17         | 106334      | COTTER PIN                | 1        |
| 18         | 112669      | INCLINE MOTOR PIN         | 1        |
| 19         | 116251      | CONTROLLER W/RI           | 1        |
|            | .           | 112921 CONTROLLER         | 1        |
|            | .           | 116250 REPLACEMENT INSTR. | 1        |
| 20         | 031238      | CHOKE                     | 1        |
| 21         | 113239      | RIGHT SIDERAIL            | 1        |
| 22         | 012082      | TENSION/SPRING FOOT NUT   | 5        |
| 23         | 014041      | TENSION WASHER            | 2        |
| 24         | 104514      | TENSION SPRING            | 1        |
| 25         | 113105      | HOOD ANCHOR               | 2        |
| 26         | 013282      | ANCHOR SCREW              | 2        |
| 27         | 019084      | GROMMET                   | 1        |
| 28         | 106903      | POWER CORD                | 1        |
| 29         | 109382      | CIRCUIT BREAKER           | 1        |
| 30         | 116068      | SIDERAIL BOLT             | 4        |
| 31         | 013088      | SAFETY COVER SCREW        | 10       |
| 32         | 112609      | FRONT ROLLER ADJ. BOLT    | 1        |
| 33         | 014127      | REAR ROLLER ADJ. WASHER   | 2        |
| 34         | 111205      | LIFT BOARD ASSEMBLY       | 1        |
|            | .           | 105988 LIFT BOARD         | 1        |
|            | .           | 015071 PLASTIC STAND-OFF  | 4        |
|            | .           | 112097 REPLACEMENT INSTR. | 1        |
| 35         | 052014      | FRONT WHEEL               | 2        |
| 36         | 104581      | LEG BOLT                  | 2        |
| 37         | 113224      | INCLINE LEG               | 1        |
| 38         | 109265      | BELT GUIDE                | 2        |
| 39         | 014066      | LOCK WASHER               | 2        |
| 40         | 114611      | SAFETY COVER              | 1        |
| 41         | 115134      | FRONT ROLLER/PULLEY ASSY  | 1        |
|            | .           | 109713 FR RLR/PULY ASSY   | 1        |
|            | .           | 110241 REPLACEMENT INSTR. | 1        |
| 42         | 124632      | WALKING PLATFORM ASSEMBLY | 1        |
|            | .           | 122816 WALKING PLATFORM   | 1        |

MODEL NUMBER: WC00803  
 VERSION: 00  
 PRODUCT NAME: PROFORM ESP 8  
 PRODUCT DESC:

MODEL/PART BOOK LISTING

PAGE 2

IN1023P1

RUN DATE: 7/25/96

RUN TIME: 11:03:27

| KEY NUMBER | PART NUMBER | DESCRIPTION               | QUANTITY |
|------------|-------------|---------------------------|----------|
| .          | .           | 127860 NAIL               | 12       |
| .          | .           | 110585 REPLACEMENT INSTR. | 1        |
| .          | .           | NOTE: THIS ASSEMBLY HAS   | 0        |
| .          | .           | BEEN CHANGED FROM THE     | 0        |
| .          | .           | ORIGINAL WAXED BOARD      | 0        |
| 43         | 130475      | WALKING BELT ASSEMBLY     | 1        |
| 44         | 114458      | DECK RAIL                 | 2        |
| 45         | 015071      | PLASTIC STAND-OFF         | 4        |
| 46         | 111869      | SIDERAIL CAGE NUT         | 1        |
| 47         | 101627      | MOTOR SWIVEL BOLT         | 2        |
| 48         | 113050      | REAR ROLLER SPACER        | 2        |
| 49         | 123385      | MOTOR BOLT                | 2        |
| 50         | 117055      | MOTOR W/RI                | 1        |
| .          | .           | 115386 MOTOR              | 1        |
| .          | .           | 115930 REPLACEMENT INSTR. | 1        |
| 50A        | 117056      | MOTOR/POLY/FLWH/FAN ASSY  | 1        |
| 51         | 108276      | PULLEY/FLWH/FAN ASSEMBLY  | 1        |
| 52         | 105477      | MOTOR NUT                 | 2        |
| 53         | NSP         | FRAME                     | 1        |
| 54         | 113616      | CUSHION COVER             | 2        |
| 55         | 115929      | MOTOR SWIVEL W/RI         | 1        |
| .          | .           | 115928 MOTOR SWIVEL       | 1        |
| .          | .           | 115930 REPLACEMENT INSTR. | 1        |
| 56         | 103855      | J-BOLT                    | 1        |
| 57         | 110926      | CUSHION SPRING BOLT       | 1        |
| 58         | 111432      | CUSHION SPRING FOOT       | 2        |
| 59         | 113046      | RIGHT ENDCAP              | 1        |
| 60         | 013206      | REAR ROLLER ADJ. BOLT     | 2        |
| 61         | 045010      | ALLEN WRENCH              | 1        |
| 62         | 109788      | REAR ROLLER W/RI          | 1        |
| .          | .           | 105264 REAR ROLLER        | 1        |
| .          | .           | 103847 REPLACEMENT INSTR. | 1        |
| 63         | 016028      | WRENCH CLIP               | 1        |
| 64         | 113045      | LEFT ENDCAP               | 1        |
| 65         | 016055      | WIRE CLIP                 | 4        |
| 66         | 100691      | PLATFORM SCREW            | 6        |
| 67         | 108404      | HOOD SCREW                | 4        |
| 68         | 117057      | MOTOR HOOD W/DECALS       | 1        |
| .          | .           | 114842 MOTOR HOOD         | 1        |
| .          | .           | 114837 MOTOR HOOD DECAL   | 1        |
| .          | .           | 114838 WIRE DIAGRAM DECAL | 1        |
| 69         | 115572      | REED SWITCH/SENSOR WIRE   | 1        |
| 70         | 111680      | REED SWITCH CLIP          | 1        |
| 71         | 106939      | BELT                      | 1        |
| 72         | 116127      | FRONT ROLLER ADJ. WASHER  | 1        |
| 73         | 114078      | SHORT SPACER              | 1        |
| 74         | 114079      | LONG SPACER               | 1        |
| 75         | 054016      | E-CLIP                    | 2        |
| 76         | 114355      | FRONT ROLLER SPACER       | 1        |
| 77         | 009135      | INCLINE CONTROL BEZEL     | 1        |
| .          | .           | NON-ILLUSTRATED PARTS     | 0        |
| #          | 110402      | BATTERY COVER (SNAP ON)   | 1        |
| #          | 031021      | BATTERY (AA)              | 2        |
| #          | 113141      | FRAME DECAL               | 1        |

MODEL NUMBER: WC00803  
VERSION: 00  
PRODUCT NAME: PROFORM ESP 8  
PRODUCT DESC:

MODEL/PART BOOK LISTING

PAGE 3

IN1023P

RUN DATE: 7/25/96

RUN TIME: 11:03:27

| KEY NUMBER | PART NUMBER | DESCRIPTION               | QUANTITY |
|------------|-------------|---------------------------|----------|
| #          | 114837      | MOTOR HOOD DECAL          | 1        |
| #          | 114838      | WIRE DIAGRAM DECAL        | 1        |
| #          | 114840      | OWNER'S MANUAL            | 1        |
|            | 114841      | LITERATURE PACKET         | 1        |
|            | .           | 114840 OWNER'S MANUAL     | 1        |
|            | .           | 115967 RT-SIDERAIL MTG    | 1        |
|            | .           | 112589 PULSE/CLOTHES CLIP | 1        |
|            | .           | 113841 HARDWARE KIT       | 1        |
|            | .           | 016028 WRENCH CLIP        | 1        |
|            | .           | 045010 ALLEN WRENCH       | 1        |
|            | .           | 104063 SIDERAIL BOLT      | 2        |
|            | .           | 014087 SIDERAIL WASHER    | 1        |