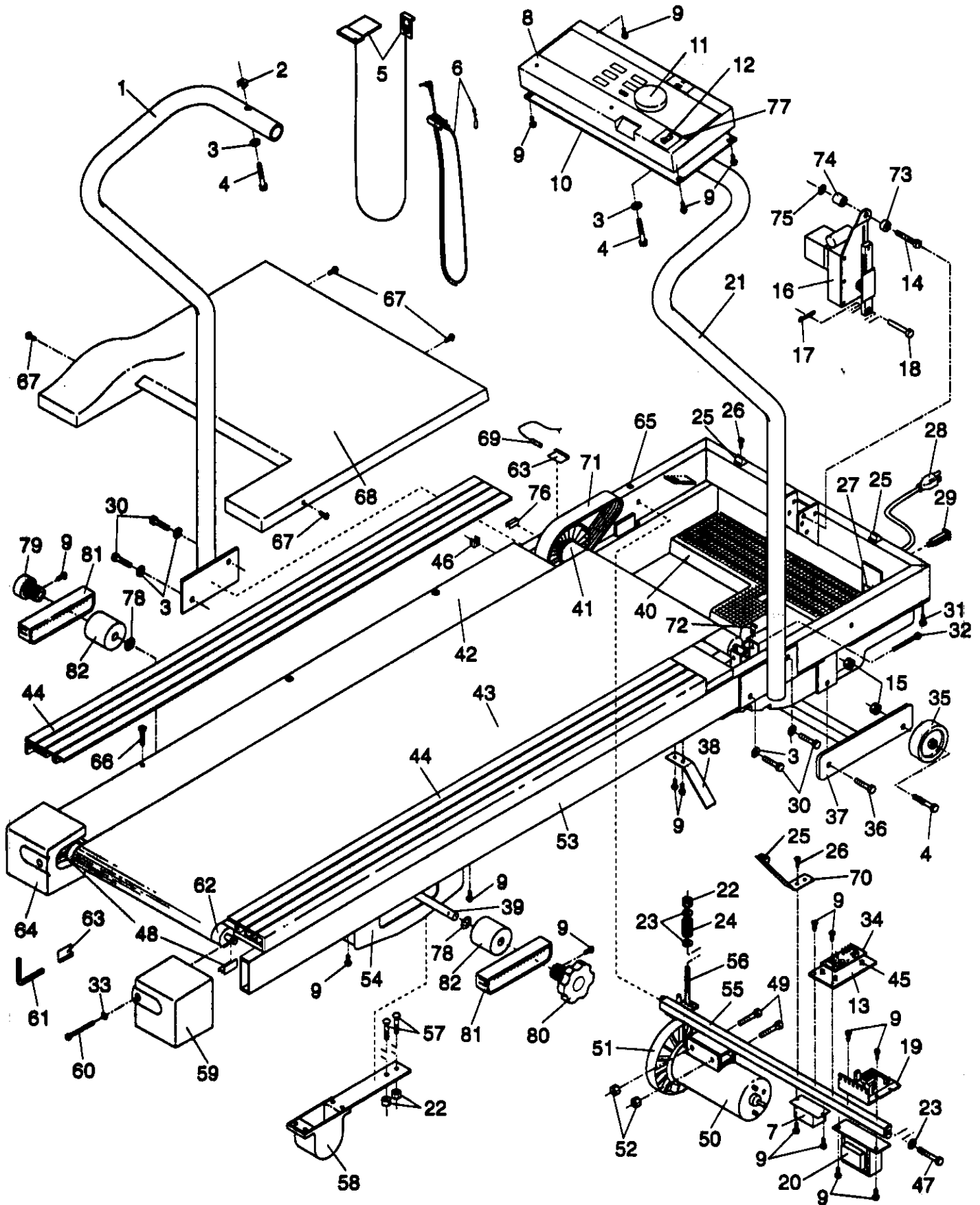


EXPLODED DRAWING—Model No. WC008031

Rev. 3/95



MODEL NUMBER: WC00803
 VERSION: 01
 PRODUCT NAME: PROFORM ESP 8
 PRODUCT DESC:

MODEL/PART BOOK LISTING

PAGE 1
 INT02301
 RUN DATE: 7/25/96
 RUN TIME: 11:03:32

KEY NUMBER	PART NUMBER	DESCRIPTION	QUANTITY
.	.	ESP 8, TREADMILL	0
1	113237	LEFT SIDERAIL	1
2	111430	CONSOLE CAGE NUT	2
3	014087	SIDERAIL WASHER	10
4	013564	CONSOLE/WHEEL BOLT	4
5	106337	SAFETY KEY/CLIP	1
6	119946	PULSE/CLOTHES CLIP	1
7	111998	RELAY SWITCH	1
8	117053	CONSOLE ASSEMBLY	1
.	.	111984 CONSOLE	1
.	.	031108 SWITCH	1
.	.	009135 BEZEL	1
.	.	117054 REPLACEMENT INSTR.	1
9	108080	SCREW	25
10	113284	CONSOLE PLATE	1
11	110000	SPEED CONTROL KNOB	1
12	031108	INCLINE CONTROL	1
13	108973	LIFT BOARD PLATE	1
14	105121	INCLINE MOTOR PIN	1
15	012108	LOCK NUT	4
16	115523	INCLINE MOTOR	1
17	106334	COTTER PIN	1
18	112669	INCLINE MOTOR PIN	1
19	116251	CONTROLLER W/RI	1
.	.	112921 CONTROLLER	1
.	.	116250 REPLACEMENT INSTR.	1
20	031238	CHOKE	1
21	113239	RIGHT SIDERAIL	1
22	012082	TENSION/SPRING FOOT NUT	5
23	014041	TENSION WASHER	4
24	104514	TENSION SPRING	1
25	113106	HOOD ANCHOR	5
26	013300	ANCHOR SCREW	5
27	019084	GROMMET	1
28	106903	POWER CORD	1
29	109382	CIRCUIT BREAKER	1
30	116068	SIDERAIL BOLT	4
31	013088	SAFETY COVER SCREW	10
32	112609	FRONT ROLLER ADJ. BOLT	1
33	014127	REAR ROLLER ADJ. WASHER	2
34	111205	LIFT BOARD ASSEMBLY	1
.	.	105988 LIFT BOARD	1
.	.	015071 PLASTIC STAND-OFF	4
.	.	112097 REPLACEMENT INSTR.	1
35	052014	FRONT WHEEL	2
36	104581	LEG BOLT	2
37	113224	INCLINE LEG	1
38	109265	BELT GUIDE	2
39	114038	SPRING ADJUST TUBE	1
40	117266	SAFETY COVER	1
41	115134	FRONT ROLLER/PULLEY	1
42	124632	WALKING PLATFORM ASSEMBLY	1
.	.	122816 WALKING PLATFORM	1
.	.	127860 NAIL	12

MODEL NUMBER: WC00803
 VERSION: 01
 PRODUCT NAME: PROFORM ESP 8
 PRODUCT DESC:

MODEL/PART BOOK LISTING

PAGE 2
 INI023P1
 RUN DATE: 7/25/96
 RUN TIME: 11:03:32

KEY NUMBER	PART NUMBER	DESCRIPTION	QUANTITY
.	.	110585 REPLACEMENT INSTR.	1
.	.	NOTE: THIS ASSEMBLY HAS	0
.	.	BEEN CHANGED FROM THE	0
.	.	ORIGINAL WAXED BOARD	0
43	130475	WALKING BELT ASSEMBLY	1
44	114458	DECK RAIL	2
45	015071	PLASTIC STAND-OFF	4
46	111869	SIDERAIL CAGE NUT	4
47	101627	MOTOR SWIVEL BOLT	2
48	113050	REAR ROLLER SPACER	2
49	123385	MOTOR BOLT	2
50	117055	MOTOR W/RI	1
.	.	115386 MOTOR	1
.	.	115930 REPLACEMENT INSTR.	1
50A	117056	MOTOR/POLY/FLWH/FAN ASSY	1
51	108276	PULLEY/FLWH/FAN ASSEMBLY	1
52	105477	MOTOR NUT	2
53	NSP	FRAME	1
54	114036	CUSHION COVER	2
55	115929	MOTOR SWIVEL W/RI	1
.	.	115928 MOTOR SWIVEL	1
.	.	115930 REPLACEMENT INSTR.	1
56	103855	J-BOLT	1
57	110926	CUSHION SPRING BOLT	4
58	109620	CUSHION SPRING FOOT	2
59	113046	RIGHT ENDCAP	1
60	013206	REAR ROLLER ADJ. BOLT	2
61	045010	ALLEN WRENCH	1
62	109788	REAR ROLLER W/RI	1
.	.	105264 REAR ROLLER	1
.	.	103847 REPLACEMENT INSTR.	1
63	016028	WRENCH CLIP	2
64	113045	LEFT ENDCAP	1
65	016055	WIRE CLIP	4
66	100691	PLATFORM SCREW	6
67	108404	HOOD SCREW	4
68	117057	MOTOR HOOD W/DECALS	1
.	.	114842 MOTOR HOOD	1
.	.	114837 MOTOR HOOD DECAL	1
.	.	114838 WIRE DIAGRAM DECAL	1
69	115572	REED SWITCH/SENSOR WIRE	1
70	121443	HOOD SUPPORT BRACKET	1
71	106939	BELL	1
72	116127	FRONT ROLLER ADJ. WASHER	1
73	114078	SHORT SPACER	1
74	114079	LONG SPACER	1
75	012133	PUSHNUT	1
76	114355	FRONT ROLLER SPACER	1
77	009135	INCLINE CONTROL BEZEL	1
78	012155	PUSH NUT	2
79	113005	CUSHION ADJ. ENDCAP	1
80	111894	CUSHION ADJ. KNOB	1
81	113003	CUSHION ADJ. INSERT	2
82	114039	CUSHION SPACER	2

MODEL NUMBER: WC00803
 VERSION: 01
 PRODUCT NAME: PROFORM ESP 3
 PRODUCT DESC:

MODEL/PART BOOK LISTING

PAGE 3
 IN1023P1
 RUN DATE: 7/25/96
 RUN TIME: 11:03:32

KEY NUMBER	PART NUMBER	DESCRIPTION	QUANTITY
.	.	NON-ILLUSTRATED PARTS	0
#	110402	BATTERY COVER (SNAP ON)	1
#	031021	BATTERY (AA)	2
#	113141	FRAME DECAL	1
#	114837	MOTOR HOOD DECAL	1
#	114838	WIRE DIAGRAM DECAL	1
#	112084	JUMPER WIRE, WHITE, 2 WIRE, 1 FEMALE, 1 MALE, 1 8"L, 1 4" L	1
.	.		0
#	112083	JUMPER WIRE, BLUE, 8" L 2.25" FEMALE ENDS	1
.	.		0
#	114106	PIGTAIL, BLACK, 2 WIRE, 1 FEMALE, 2 MALE, 4" L	1
.	.		0
#	114105	JUMPER WIRE, WHITE, MALE/FEMALE, 4" L	1
.	.		0
#	102246	CSA, LIFT BOARD/CNTRLR WHITE, 2 FEMALE ENDS, 8"L	1
.	.		0
#	114953	CSA, RELAY TO LIFT BOARD BLUE, 2 FEMALE ENDS, 14"L	1
.	.		0
#	114992	WIRE HARNESS, MANUAL LIFT CSA, 100" L	1
.	.		0
#	114854	WIRE POWER HARNESS, 100"	1
#	118209	SILICONE	1
#	114261	GROUND WIRE, 8", GREEN 2 RINGS	1
.	.		0
#	114681	CABLE LOOM, 14"	1
#	113203	CABLE LOOM, 6"	1
#	117704	OWNER'S MANUAL	1
#	118215	OWNER'S MANUAL, FRENCH	1
#	117705	LITERATURE PACKET	1
.	.	117704 OWNER'S MANUAL	1
.	.	118215 OM, FRENCH	1
.	.	119946 PULSE/CLOTHES CLIP	1
.	.	118209 SILICONE	1
.	.	113841 HARDWARE KIT	1
.	.	016028 WRENCH CLIP	1
.	.	045010 ALLEN WRENCH	1
.	.	116068 SIDERAIL BOLT	2
.	.	014087 SIDERAIL WASHER	2