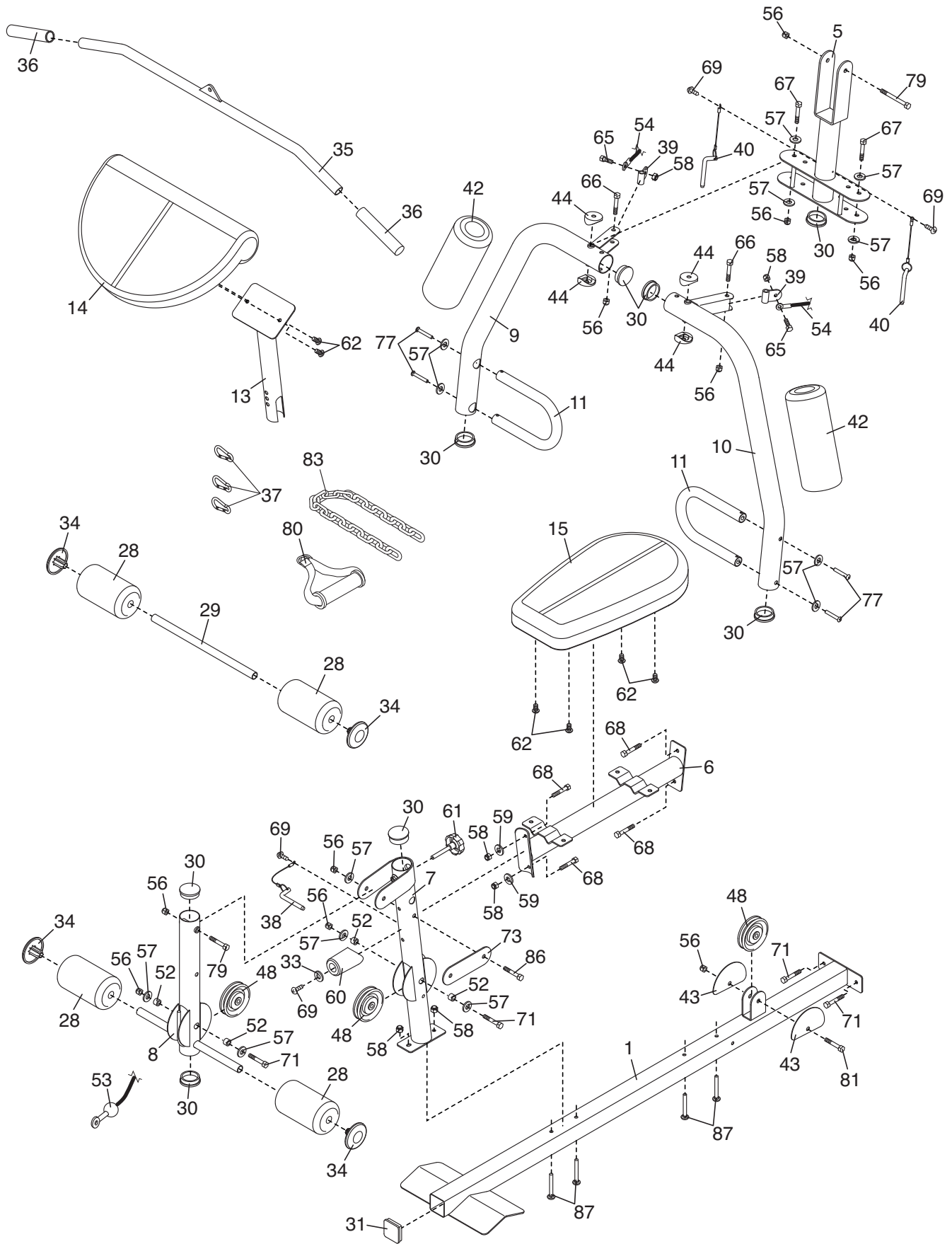


EXPLODED DRAWING A—Model No. WEANSY1978.0 R0608A



EXPLODED DRAWING B—Model No. WEANSY1978.0 R0608A

