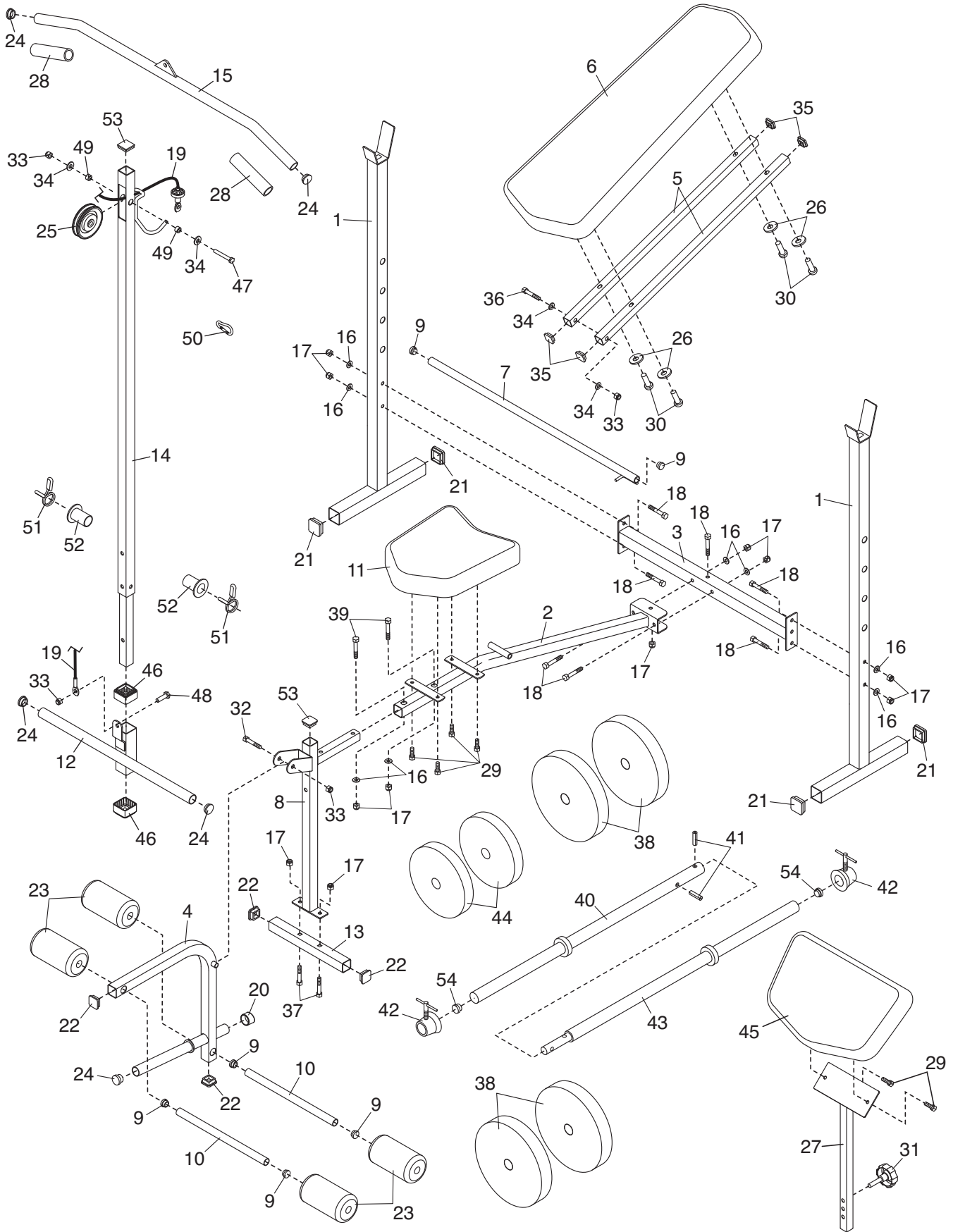


# EXPLODED DRAWING SEARS MODEL NO. 831.15891.1; KMART MODEL NO. WEBE0938.1



R0809A