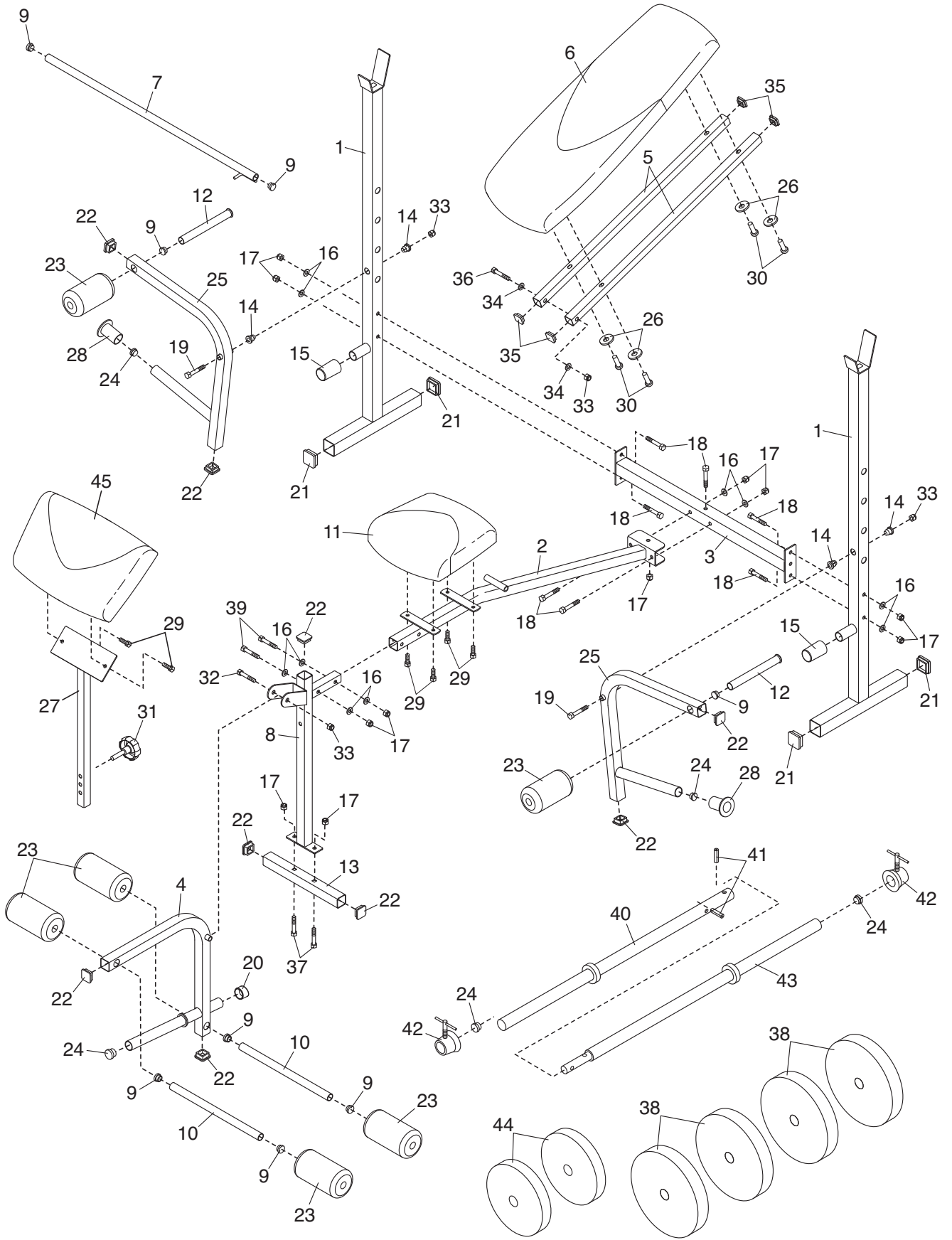


EXPLODED DRAWING SEARS MODEL NO. 831.15999.2; KMART MODEL NO. WEBE0939.2



R0810A