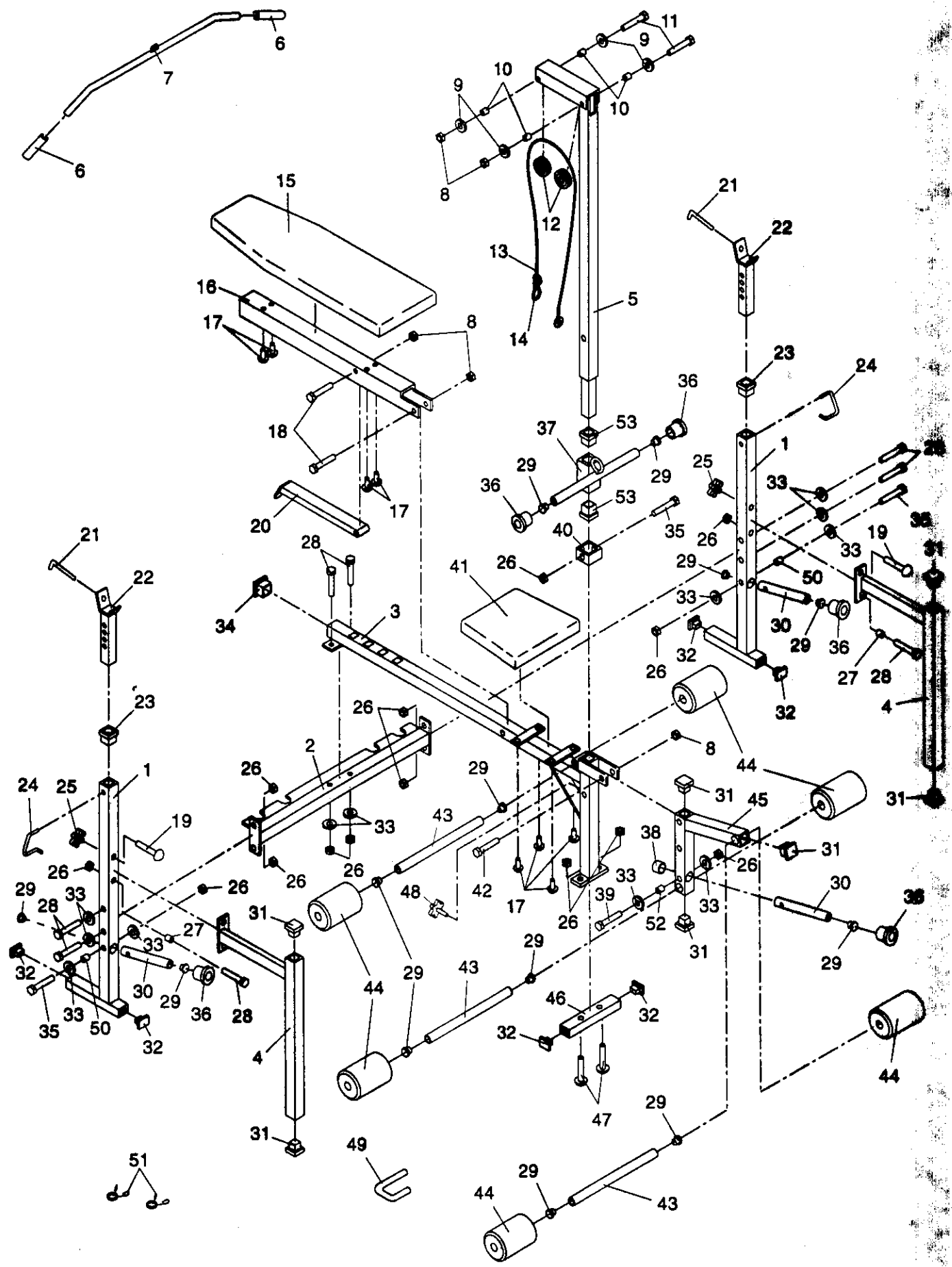


EXPLODED DRAWING—Model No. WEBE30550

R10000



MODEL NUMBER: WEBE3055
 VERSION: 00
 PRODUCT NAME: WEIDER PRO 305
 PRODUCT DESC:

MODEL/PART BOOK LISTING

PAGE 1
 INT023P1
 RUN DATE: 3/22/97
 RUN TIME: 9:24:19

KEY NUMBER	PART NUMBER	DESCRIPTION	QUANTITY
.	.	PRO 305	0
.	.	ASK YOUR CUSTOMER WHERE	0
.	.	HIS MACHINE WAS MADE. IT	0
.	.	CAN BE FOUND ON THE DECAL	0
.	.	ON THE UNDERSIDE OF THE	0
.	.	FRAME, KEY#3. IF IT WAS	0
.	.	MADE IN CHINA REFER TO	0
.	.	VERSION 0. IF IT WAS MADE	0
.	.	IN CANADA REFER TO VER. 1	0
1	130078	UPRIGHT	2
2	130079	CROSSBAR	1
3	130080	FRAME	1
4	130081	SPOTTER RACK	2
5	130082	LAT TOWER	1
6	112560	HAND GRIP	2
7	127933	LAT BAR	1
8	012077	10MM NYLON LOCKNUT	5
9	130286	10MM WASHER	4
10	127891	5/8" X 5/8" SPACER	4
11	130287	10MM X 75MM BOLT	2
12	124590	PULLEY	2
13	127934	CABLE	1
14	103087	CABLE CLIP	1
15	130289	BACKREST	1
16	130290	BACKREST RAIL	1
17	130288	6MM X 20MM SCREW	8
18	013262	10MM X 90MM BOLT	2
19	013144	8MM X 75MM CARR BOLT	2
20	130292	INCLINE BRACE	1
21	122693	L-PIN	2
22	130293	WEIGHT REST	2
23	127941	2.5" SQUARE BUSHING	2
24	127942	LOCKING PIN	2
25	130294	8MM KNOB	2
26	012042	8MM NYLON LOCKNUT	14
27	130295	3/8" X 3/16" SPACER	2
28	130296	8MM X 80MM BOLT	8
29	120733	1" ROUND CAP	13
30	130297	WEIGHT TUBE	3
31	108874	2" SQUARE CAP	7
32	130311	1.25" X 2.5" CAP	6
33	014172	8MM WASHER	12
34	113666	1.75" SQUARE CAP	1
35	130299	8MM X 75MM BOLT	3
36	123403	WEIGHT STOP	5
37	130298	WEIGHT CARRIAGE	1
38	123396	1" ANGLED CAP	1
39	129147	8MM X 65MM BOLT	1
40	130300	WEIGHT CARRIAGE STOP	1
41	130301	SEAT	1
42	130302	10MM X 80MM BOLT	1
43	130303	PAD TUBE	3
44	103805	FOAM PAD	6
45	130304	LEG LEVER	1

MODEL NUMBER: WEBE3055
 VERSION: 00
 PRODUCT NAME: WEIDER PRO 305
 PRODUCT DESC:

MODEL/PART BOOK LISTING

PAGE 2
 INT023P1
 RUN DATE: 3/22/97
 RUN TIME: 9:24:19

KEY NUMBER	PART NUMBER	DESCRIPTION	QUANTITY
46	130305	STABILIZER	1
47	013092	8MM X 40MM CARR BOLT	2
48	130306	LAT TOWER KNOB	1
49	130307	J-HOOK	1
50	130308	8MM X 17.5MM SPACER	2
51	130312	SPRING CLIP	2
52	130309	8MM X 12.5MM SPACER	1
53	130310	WEIGHT CARRIAGE BUSHING	2
.	.	NON-ILLUSTRATED PARTS	0
#	125943	DECAL SHEET	1
#	125941	USER'S MANUAL	1
#	130346	LITERATURE PACKET	1
.	.	125941 USER'S MANUAL	1
.	.	125943 DECAL SHEET	1
#	130344	HARDWARE KIT, #1	1
.	.	127941 2.5" SQ BUSHING	2
.	.	130294 8MM KNOB	2
.	.	130306 LAT TOWER KNOB	1
.	.	123403 WEIGHT STOP	5
.	.	124590 PULLEY	2
.	.	112560 5" HAND GRIP	2
.	.	108874 2" SQUARE CAP	7
.	.	130311 1.25 X 2.5" ENDCAP	6
.	.	120733 1" ROUND ENDCAP	13
.	.	113666 1.75" SQ ENDCAP	1
.	.	123396 1" ROUND ANGLE CAP	1
#	130345	HARDWARE KIT, #2	1
.	.	103087 CABLE CLIP	1
.	.	130312 SPRING CLIP	2
.	.	127942 LOCKING PIN	2
.	.	122693 L-PIN	2
.	.	130307 J-PIN	1
.	.	130308 M8 X 17.5M SPACER	2
.	.	127891 5/8"X5/8" SPACER	4
.	.	130309 M8 X 12.5MM SPACER	1
.	.	130286 10MM WASHER	4
.	.	014172 M8 WASHER	12
.	.	013262 10MM X 90MM BOLT	2
.	.	130302 10MM X 80MM BOLT	1
.	.	130287 10MM X 75MM BOLT	2
.	.	130296 8MM X 80MM BOLT	8
.	.	130309 8MM X 12.5MM SPCR	1
.	.	130299 8MM X 75MM BOLT	2
.	.	129147 8MM X 65MM BOLT	1
.	.	013144 8MM X 75MM CR BOLT	2
.	.	013092 8MM X 40MM CR BOLT	2
.	.	012077 M10 LOCK NUT	5
.	.	012042 M8 LOCK NUT	14
.	.	130288 6MM X 20MM SCREW	8