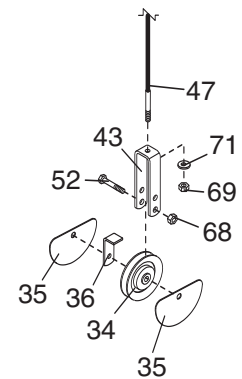
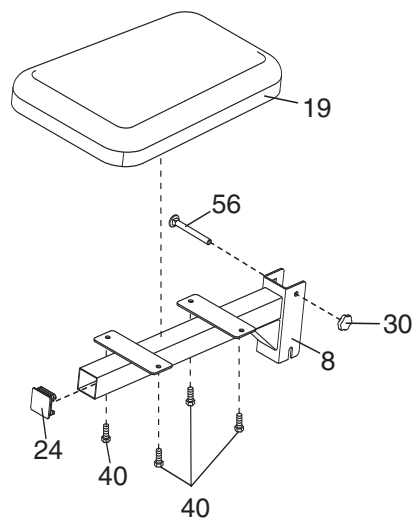
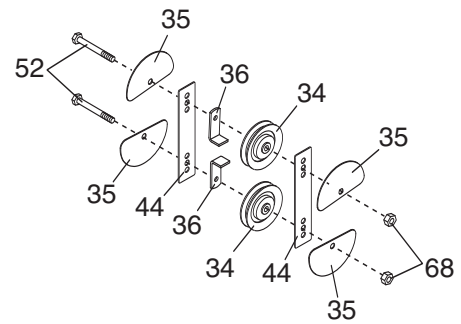
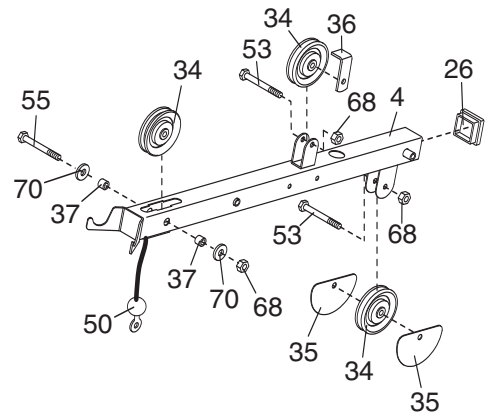
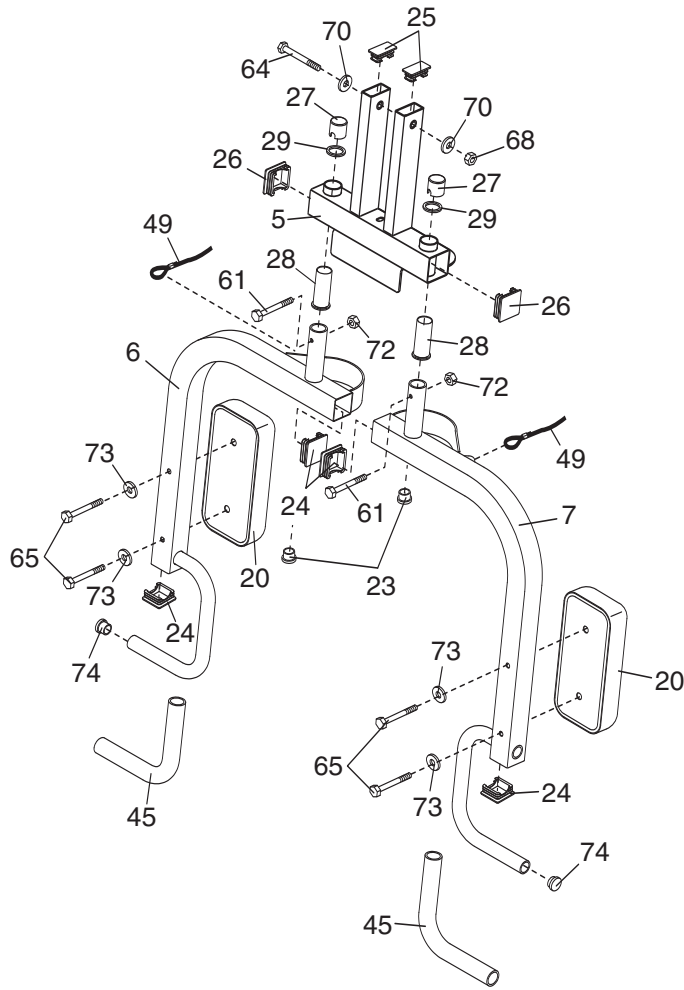


EXPLODED DRAWING A—Model No. WEEVSY1326.0

R0906A



EXPLODED DRAWING B—Model No. WEEVSY1326.0

R0906A

