

# PART LIST - Model No. WL075010

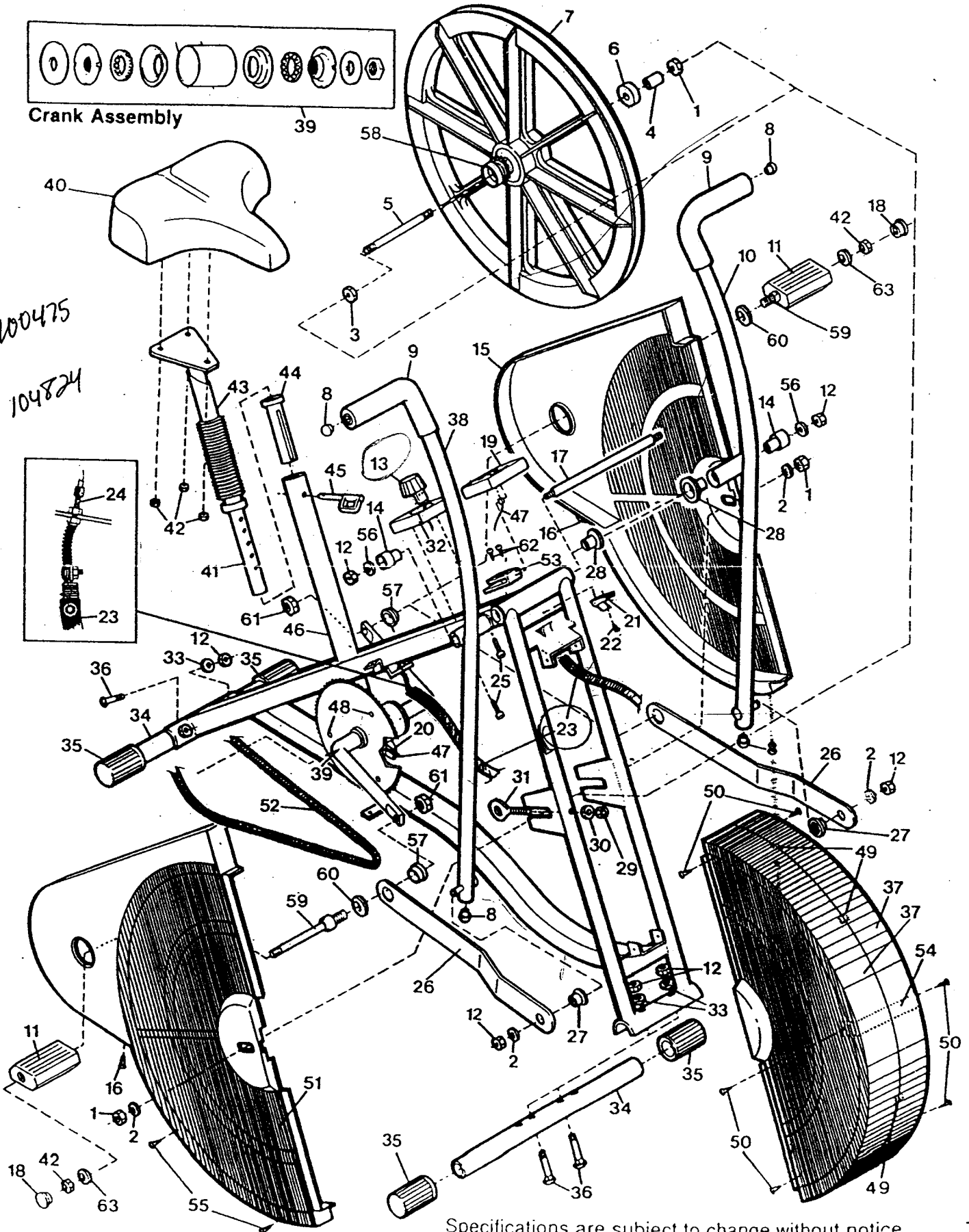
Rev. 5/91

Key No.	Qty.	Description	Key No.	Qty.	Description
1	1	Axle Nut	34	2	Stabilizer
2	4	Flat Washer	35	4	Stabilizer Cap
3	1	Thin Axle Nut	36	4	Carriage Bolt
4	1	Axle Spacer	37	2	Fan Shield
5	1	Axle Shaft	38	1	Right Handlebar
6	1	Bearing	39	1	Crank/Sprocket Assembly
7	1	Fan/Sprocket	40	1	Seat
8	4	Handlebar Endcap	41	1	Seat Post
9	2	Foam Grip	42	5	Nut
10	1	Left Handlebar	43	1	Bellows
11	2	Pedal	44	1	Seat Post Sleeve
12	8	Locknut	45	1	Seat Pin
13	1	Resistance Knob	46	1	Frame
14	2	Outer Pivot Bushing	47	1	Sensor Wire/Reed Switch
15	1	Left Side Shield	48	3	Magnet
16	2	Side Shield Screw	49	4	Fan Shield Clip
17	1	Pivot Shaft	50	6	Shield Screw
18	2	Pedal Cap	51	1	Right Side Shield
19	1	Electronic Monitor	52	1	Chain
20	3	Adhesive Tape	53	1	Monitor Clip
21	1	Strap Buckle	54	1	Fan Shield Bracket
22	1	Buckle Screw	55	4	Self-Tapping Screw
23	1	Resistance Strap	56	2	Pivot Washer
24	1	Resistance Cable Assembly	57	2	Link Arm Bushing
25	2	Knob Housing Screw	58	1	Bearing Cup Assembly
26	2	Link Arm	59	2	Pedal Shaft
27	2	Handlebar Bushing	60	2	Shaft Washer
28	4	Inner Pivot Bushing	61	2	Shaft Nut
29	1	Adjustment Nut	62	2	Clip Screw
30	1	Adjustment Washer	63	2	Pedal Washer
31	1	Adjustment Bolt	#	1	Owner's Manual
32	1	Knob Housing	#	1	Monitor Operation Guide
33	4	Curved Washer			

Note: "#" indicates a non-illustrated part. Specifications are subject to change without notice. See the back cover for information on ordering replacement parts.

# EXPLODED DRAWING - Model No. WL075010

Rev. 5/91



Specifications are subject to change without notice.