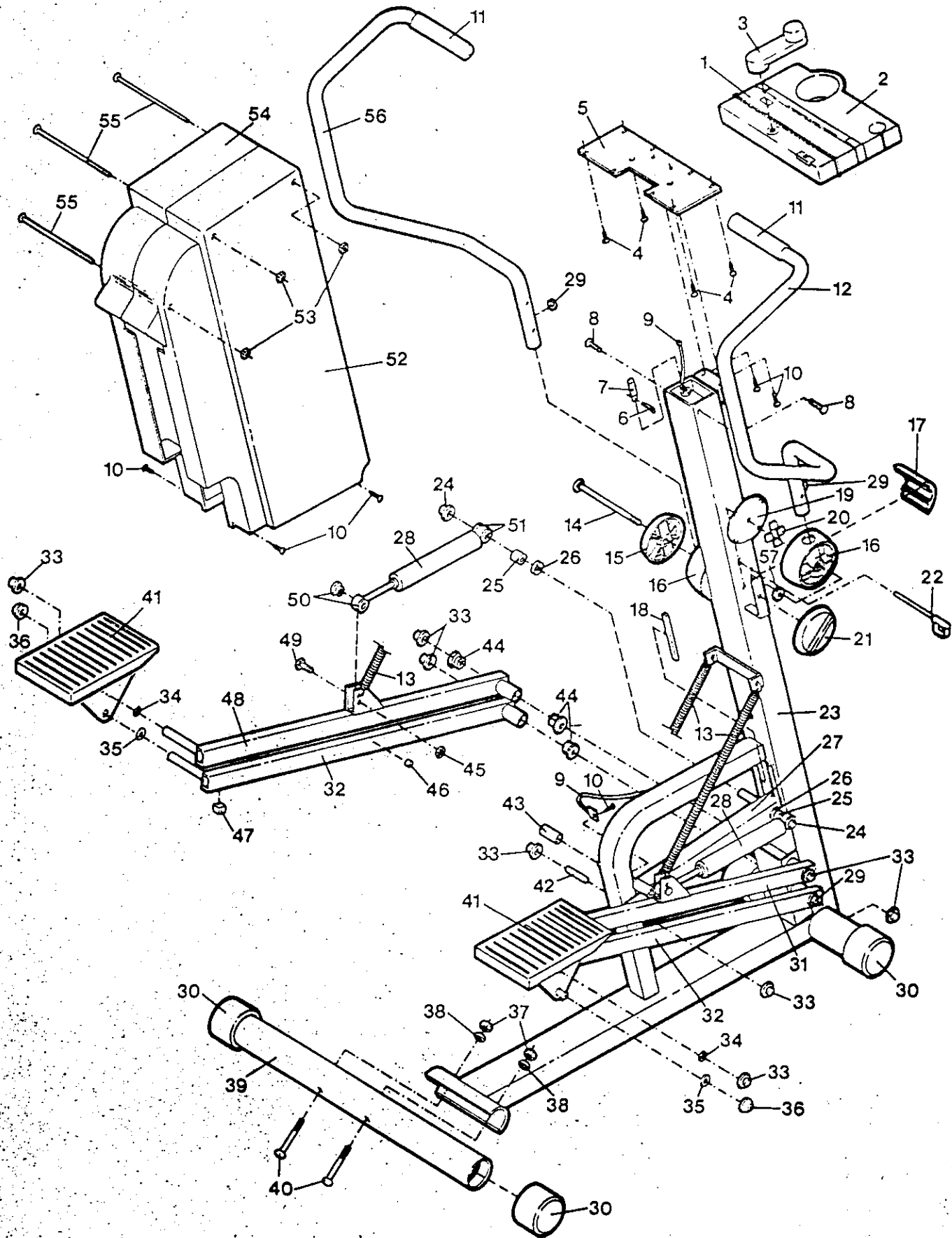


EXPLODED DRAWING—Model No. WL200820

Rev. 9/92



MODEL NUMBER: WL20082
 VERSION: 00
 PRODUCT NAME: WESLO ASCENT II
 PRODUCT DESC:

MODEL/PART BOOK LISTING

PAGE 1
 IN1023P1
 RUN DATE: 8/13/96
 RUN TIME: 13:31:47

KEY NUMBER	PART NUMBER	DESCRIPTION	QUANTITY
1	109770	CONSOLE ASSEMBLY	1
2	109039	ACCESSORY TRAY *	1
3	109724	RESISTANCE CRANK ASSEMBLY	1
4	104626	SCREW	4
5	109121	CONSOLE PLATE	1
6	109762	COTTER PIN	1
7	109078	HEX PIN	1
8	110735	SMALL BOLT	2
9	115569	REED SWITCH/SENSOR WIRE	1
10	013162	MOUNTING SCREW	7
11	105500	HANDLEBAR FOAM GRIP	2
12	111453	RIGHT HANDLEBAR W/FOAM *	1
	.	109508 RIGHT HANDLEBAR	1
	.	105500 FOAM GRIP	1
13	109081	SPRING	2
14	109515	LONG CARRIAGE BOLT	1
15	121987	HOUSING CAP	1
16	109928	HANDLEBAR HOUSING	2
17	109805	FRAME CAP	1
18	109394	RESISTANCE ARM SLIDE	2
19	.	FRICITION DISK	2
	.	DOES THE DISK RUB AGAINST	0
	.	4 HARD SQUARE PADS OR 4	0
	.	LEATHERY SOFT PADS?	0
	.	113175 HARD SQUARE PADS	1
	.	112286 SOFT LEATHERY PADS	1
20	.	SEE #21	0
21	109930	RESISTANCE DIAL	1
22	124008	HANDLEBAR PIN	1
23	NSP	FRAME	1
24	109090	PEDAL HAT AXLECAP, 5/8"	2
25	109413	CYLINDER SPACER	2
26	102041	THIN SPACER	2
27	112928	RESISTANCE ARM ASSEMBLY	1
	.	111018 SWING ARM	1
	.	109060 SWING ARM NUT	1
	.	109384 SWING ARM SCREW	2
	.	112929 CN-ASSY INSTRUCT.	1
28	110539	RESISTANCE CYLINDER	2
29	109927	RUBBER GROMMET	2
30	109416	STABILIZER ENDCAP	4
31	111088	RIGHT UPPER PEDAL ARM	1
32	110565	L/R LOWER PEDAL ARM	2
33	100150	SMALL HAT AXLECAP, 1/2"	8
34	109374	PEDAL WASHER	2
35	109375	LARGE PEDAL WASHER	2
36	103735	PEDAL DOME AXLECAP, 3/4"	2
37	012082	STABILIZER NUT	2
38	014041	STABILIZER WASHER	2
39	112843	STABILIZER W/DECAL *	1
	.	109999 STABILIZER	1
	.	109011 STABILIZER DECAL	1
40	013207	STABILIZER BOLT	2
41	111375	PEDAL ASSEMBLY	2

MODEL NUMBER: WL20082
 VERSION: 00
 PRODUCT NAME: WESLO ASCENT II
 PRODUCT DESC:

MODEL/PART BOOK LISTING

PAGE 2
 INI023P1

RUN DATE: 8/13/96
 RUN TIME: 13:31:47

KEY NUMBER	PART NUMBER	DESCRIPTION	QUANTITY
.	.	109009 PEDAL	1
.	.	100150 AXLECAP, 1/2"	3
.	.	103735 AXLECAP, 3/4"	3
.	.	111374 CN-AXLECAP	1
42	109069	RESISTANCE ARM PIN	1
43	104446	PEDAL ARM BUMPER	2
44	110576	PEDAL ARM BUSHING	8
45	012082	PEDAL ARM NUT	2
46	107094	MAGNET	1
47	019183	BUMPER	2
48	111090	LEFT UPPER PEDAL ARM	1
49	013210	PEDAL ARM BOLT	2
50	110218	LOWER CYLINDER BSHG SET	2
51	110219	UPPER CYLINDER BSHG SET	2
52	111583	RT SIDE SHIELD W/DECAL *	1
.	.	108595 RIGHT SIDE SHIELD	1
.	.	109521 SIDE SHIELD DECAL	1
53	103762	SIDE SHIELD NUT	3
54	111582	LT SIDE SHIELD W/DECAL *	1
.	.	108594 LEFT SIDE SHIELD	1
.	.	109521 SIDE SHIELD DECAL	1
55	107370	SIDE SHIELD BOLT	3
56	111452	LEFT HANDLEBAR W/FOAM *	1
.	.	109505 LEFT HANDLEBAR	1
.	.	105500 FOAM GRIP	1
57	110147	NYLON WASHER	2
.	.	NON-ILLUSTRATED PARTS:	0
A	NLA	TENSION CRANK	1
B	109084	FLAT WASHER	1
C	109085	BUSHING	1
D	109122	SIDE SHIELD PLUG	1
E	102994	E-CLIP	1
F	109521	L/R SIDE SHIELD DECAL	2
G	109011	STABILIZER DECAL	1
H	109526	OWNER'S MANUAL	1
.	109468	LITERATURE PACKET	1
.	.	109526 OWNER'S MANUAL	1
.	.	109931 CARRIAGE BOLT	1
.	110005	HARDWARE ASSEMBLY	1
.	.	109078 HEX PIN	1
.	.	109762 COTTER PIN	1
.	.	013207 CARRIAGE BOLT	2
.	.	014041 STBLZR WASHER	2
.	.	012082 STABILIZER NUT	2
.	.	124008 HANDLEBAR PIN	1
.	.	112286 FRICTION PLATE	2
.	.	110147 NYLON WASHER	2
.	.	*--THESE ARE ESTIMATED	0
.	.	COSTS!!!!	0