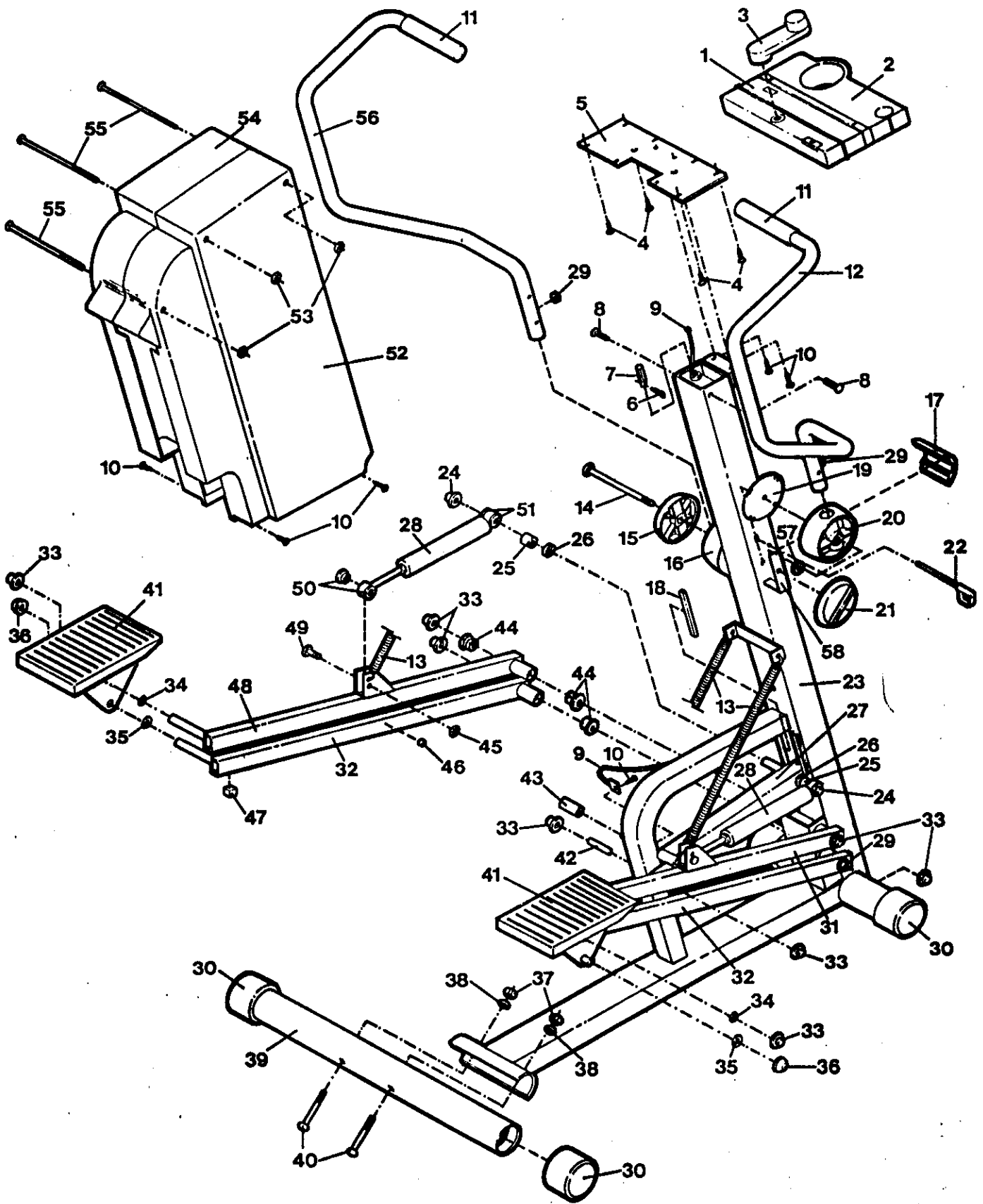


# EXPLODED DRAWING—Model No. WL200821

Rev. 1/93



MODEL NUMBER: WL20082  
VERSION: 01  
PRODUCT NAME: ASCENT II  
PRODUCT DESC: STEPPER

MODEL/PART BOOK LISTING

PAGE 1  
IN1023P1  
RUN DATE: 2/08/96  
RUN TIME: 10:00:11

KEY NUMBER	PART NUMBER	DESCRIPTION	QUANTITY
	.	ASCENT II STEPPER	0
1	109770	CONSOLE	1
2	109039	ACCESSORY TRAY	1
3	109724	RESISTANCE KNOB	1
4	013423	SCREW	4
5	109121	CONSOLE PLATE	1
6	109762	COTTER PIN	1
7	109078	HEX PIN	1
8	013212	SMALL BOLT	2
9	106115	REED SWITCH/SENSOR WIRE	1
10	013162	MOUNTING SCREW	7
11	104567	HANDLEBAR FOAM GRIP	2
12	112192	RIGHT HANDLEBAR W/FOAM	1
13	109081	SPRING	2
14	109515	LONG CARRIAGE BOLT	1
15	109517	HOUSING CAP	1
16	110823	HANDLEBAR HOUSING	2
17	110621	FRAME CAP	1
18	109394	RESISTANCE ARM SLIDE	2
19	112286	FRICTION DISK	2
20	.	SEE #16	0
21	109511	RESISTANCE DIAL	1
22	124008	HANDLEBAR PIN	1
23	NSP	FRAME	1
24	109090	PEDAL HAT AXLECAP, 5/8"	2
25	109413	CYLINDER SPACER	2
26	105101	THIN SPACER	2
27	112928	RESISTANCE ARM W/HDWR	1
28	110539	RESISTANCE CYLINDER	2
29	109927	RUBBER GROMMET	2
30	109416	STABILIZER ENDCAP	4
31	111088	RIGHT UPPER PEDAL ARM	1
32	110565	L/R LOWER PEDAL ARM	2
33	100150	SMALL HAT AXLECAP, 1/2"	8
34	109374	PEDAL WASHER	2
35	109375	LARGE PEDAL WASHER	2
36	103735	PEDAL DOME AXLECAP, 3/4"	2
37	012082	STABILIZER NUT	2
38	014041	STABILIZER WASHER	2
39	112843	STABILIZER	1
40	013207	STABILIZER BOLT	2
41	111375	PEDAL W/HARDWARE	2
42	109069	RESISTANCE ARM PIN	1
43	104446	PEDAL ARM BUMPER	2
44	110576	PEDAL ARM BUSHING	8
45	012082	PEDAL ARM NUT	2
46	107094	MAGNET	1
47	019183	BUMPER	2
48	111090	LEFT UPPER PEDAL ARM	1
49	013210	PEDAL ARM BOLT	2
50	110218	LOWER CYLINDER BSHG SET	2
51	110219	UPPER CYLINDER BSHG SET	2
52	111583	RT SIDE SHIELD	1
53	103762	SIDE SHIELD NUT	3

MODEL NUMBER: WL20082  
VERSION: 01  
PRODUCT NAME: ASCENT II  
PRODUCT DESC: STEPPER

MODEL/PART BOOK LISTING

PAGE 2  
INI023P1  
RUN DATE: 2/08/96  
RUN TIME: 10:00:11

KEY NUMBER	PART NUMBER	DESCRIPTION	QUANTITY
54	111582	LT SIDE SHIELD	1
55	107370	SIDE SHIELD BOLT	3
56	112191	LEFT HANDLEBAR W/FOAM	1
57	110147	NYLON WASHER	2
58	110193	FRICITION BRACKET	2
59	.	SEE KEY# 1	0
.	.	NON-ILLUSTRATED PARTS:	0
#	110546	TENSION CRANK	1
#	109084	FLAT WASHER	1
#	109085	BUSHING	1
#	109122	SIDE SHIELD PLUG	1
#	102994	E-CLIP	1
#	109521	L/R SIDE SHIELD DECAL	2
#	109011	STABILIZER DECAL	1
#	110232	OWNER'S MANUAL	1
#	110231	LITERATURE PACKET	1
.	.	110232 OWNER'S MANUAL	1
.	.	109931 CARRIAGE BOLT	1
#	110005	HARDWARE ASSEMBLY	1
.	.	109078 HEX PIN	1
.	.	109762 COTTER PIN	1
.	.	013207 CARRIAGE BOLT	2
.	.	014041 STBLZR WASHER	2
.	.	012082 STABILIZER NUT	2
.	.	112286 FRICTION PLATE	2
.	.	110147 NYLON WASHER	2