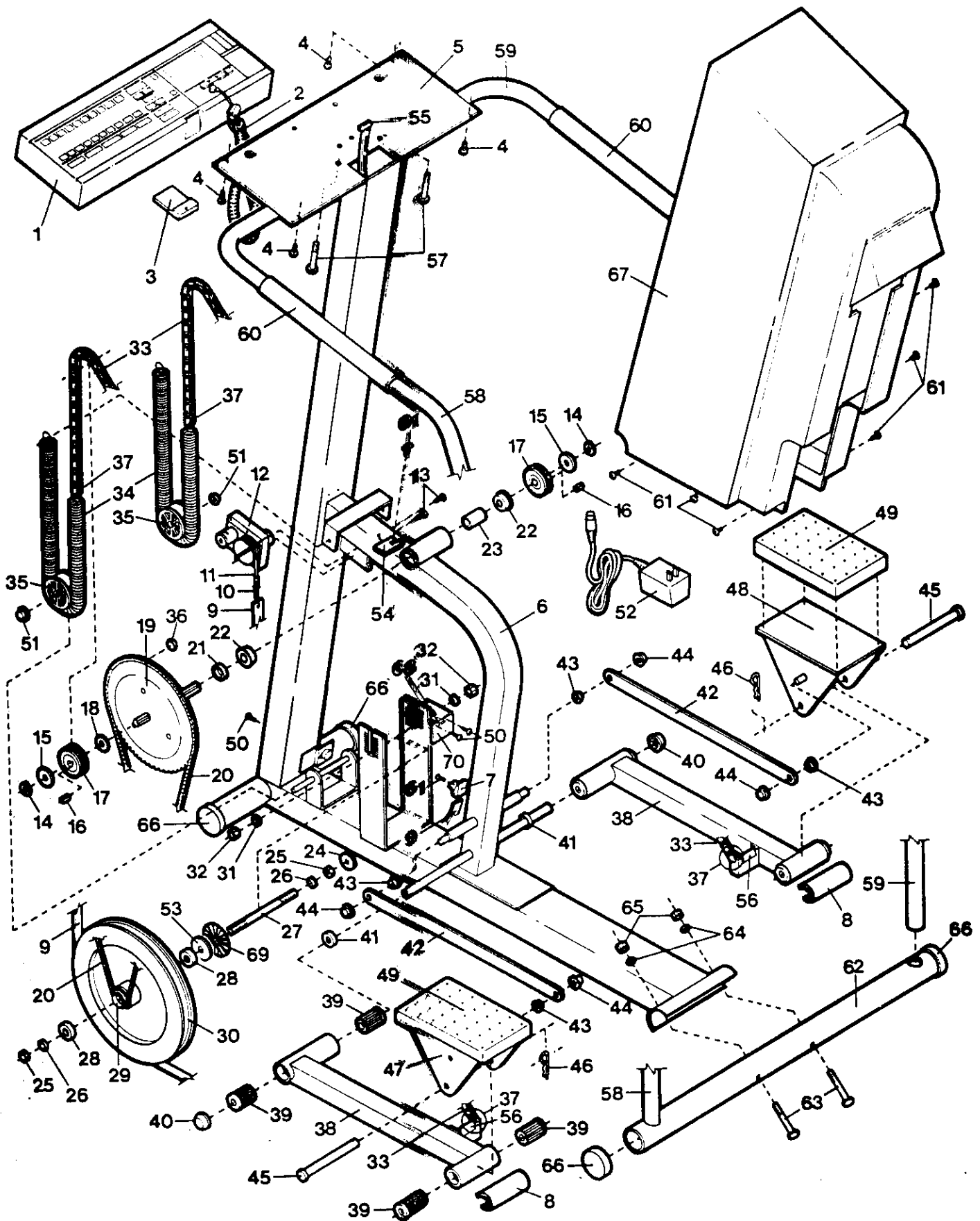


# EXPLODED DRAWING- Model No. WL201510

Rev. 10/91



Specifications are subject to change without notice.

MODEL NUMBER: WL20151  
 VERSION: 00  
 PRODUCT NAME: CONCEPT  
 PRODUCT DESC: STEPPER

MODEL/PART BOOK LISTING

RUN DATE: 2/08/97

RUN TIME: 11:50:25

KEY NUMBER	PART NUMBER	DESCRIPTION	QUANTITY
1	107154	CONSOLE ASSEMBLY	1
2	119946	PULSE/CLOTHES CLIP ASSY.	1
3	100933	POWER KEY	1
4	013423	CONSOLE PLATE SCREW	4
5	109033	CONSOLE PLATE ASSEMBLY	1
6	NSP	FRAME	1
7	050001	TENSION BUCKLE	1
8	105433	LARGE BUMPER	2
9	101929	RESISTANCE STRAP	1
10	103909	SPRING ASSEMBLY	1
11	101042	TENSION ROPE	1
12	103888	TENSION MOTOR	1
13	101049	TENSION MOTOR SCREW	2
14	054024	SNAP RING (E-CLIP)	2
15	014170	LARGE SPROCKET WASHER	1
16	101570	SPROCKET KEY	2
17	106153	SMALL SPROCKET	2
18	103859	SMALL SPROCKET WASHER	1
19	107169	LARGE SPROCKET	1
20	105102	LARGE SPROCKET CHAIN	1
21	102041	SPROCKET SPACER	1
22	101565	SPROCKET BEARING	2
23	105095	SPACER	1
24	105674	LARGE FLYWHEEL WASHER	1
25	101980	THIN NUT	2
26	014004	BEVELED WASHER	2
27	102357	FLYWHEEL AXLE	1
28	102356	FLYWHEEL BEARING	2
29	104008	FLYWHEEL SPROCKET	1
30	107150	FLYWHEEL W/BEARING	1
31	104478	SMALL FLYWHEEL WASHER	2
32	012175	THICK NUT	2
33	107049	LARGE CHAIN W/MASTER LINK	2
34	124855	SPRING	2
35	104275	PULLEY W/AXLECAP	2
36	100498	MAGNET	1
37	101575	MASTER LINK	4
38	.	PEDAL ARM ASSEMBLY	2
.	.	DO YOU NEED THE RIGHT OR	0
.	.	LEFT PEDAL ARM ASSEMBLY?	0
.	109623	109623 RT. PEDAL ARM ASSY	1
.	109622	109622 LT. PEDAL ARM ASSY	1
39	100048	PEDAL ARM BUSHING	8
40	103735	PEDAL ARM AXLECAP	2
41	105101	PEDAL ARM SPACER	2
42	107151	LINK ARM W/AXLECAP	2
43	103677	LINK ARM BUSHING	4
44	100150	LINK ARM AXLECAP	4
45	105865	CLEVIS PIN	2
46	107596	COTTER PIN	2
47	111375	LEFT/RIGHT PEDAL ASSEMBLY	2
48	.	SEE KEY #47	0
49	107148	PEDAL COVER ASSEMBLY	2
50	101577	SMALL SCREW	3

MODEL NUMBER: WL20151  
 VERSION: 00  
 PRODUCT NAME: CONCEPT  
 PRODUCT DESC: STEPPER

MODEL/PART BOOK LISTING

RUN DATE: 2/08/97  
 RUN TIME: 11:50:25

KEY NUMBER	PART NUMBER	DESCRIPTION	QUANTITY
51	103957	PULLEY AXLECAP	2
52	104216	POWER CORD	1
53	104443	ADHESIVE DISK	1
54	124434	REED SWITCH	1
55	106132	WIRE HARNESS	1
56	105825	SMALL BUMPER	2
57	013561	HANDRAIL BOLT	2
58	107176	LEFT HANDRAIL W/FOAM	1
59	107162	RIGHT HANDRAIL W/FOAM	1
60	102856	HANDRAIL FOAM GRIP	2
61	013162	MOUNTING SCREW	8
62	105098	STABILIZER	1
63	013207	STABILIZER BOLT	2
64	014041	STABILIZER WASHER	2
65	012082	STABILIZER NUT	2
66	040134	STABILIZER ENDCAP	4
67	107142	L/R SIDESHIELD ASSEMBLY	1
68	104217	PHOTO INTERRUPT SWITCH	1
69	103339	OPTIC DISK	1
70	104438	SWITCH BRACKET	1
.	.	NON-ILLUSTRATED PARTS:	0
A	106315	L/R SIDE SHIELD DECAL	2
B	045010	ALLEN WRENCH	1
C	104045	MONITOR OPERATION GUIDE	1
D	106796	OWNERS MANUAL	1
.	106797	LITERATURE PACKET	1
.	.	106796 OWNERS MANUAL	1
.	.	104045 MON. OPER. GUIDE	1
.	.	112589 PULSE EARCLIP	1
.	.	100933 POWER KEY	1
.	.	045010 ALLEN WRENCH	1
.	105932	HARDWARE KIT	1
.	.	013207 STABILIZER BOLT	2
.	.	014041 STABILIZER WASHER	2
.	.	012082 STABILIZER NUT	2
.	.	013561 HANDRAIL BOLT	2
.	.	NOTE: HARDWARE KIT IS	0
.	.	SEPARATE FROM LIT PAC	0