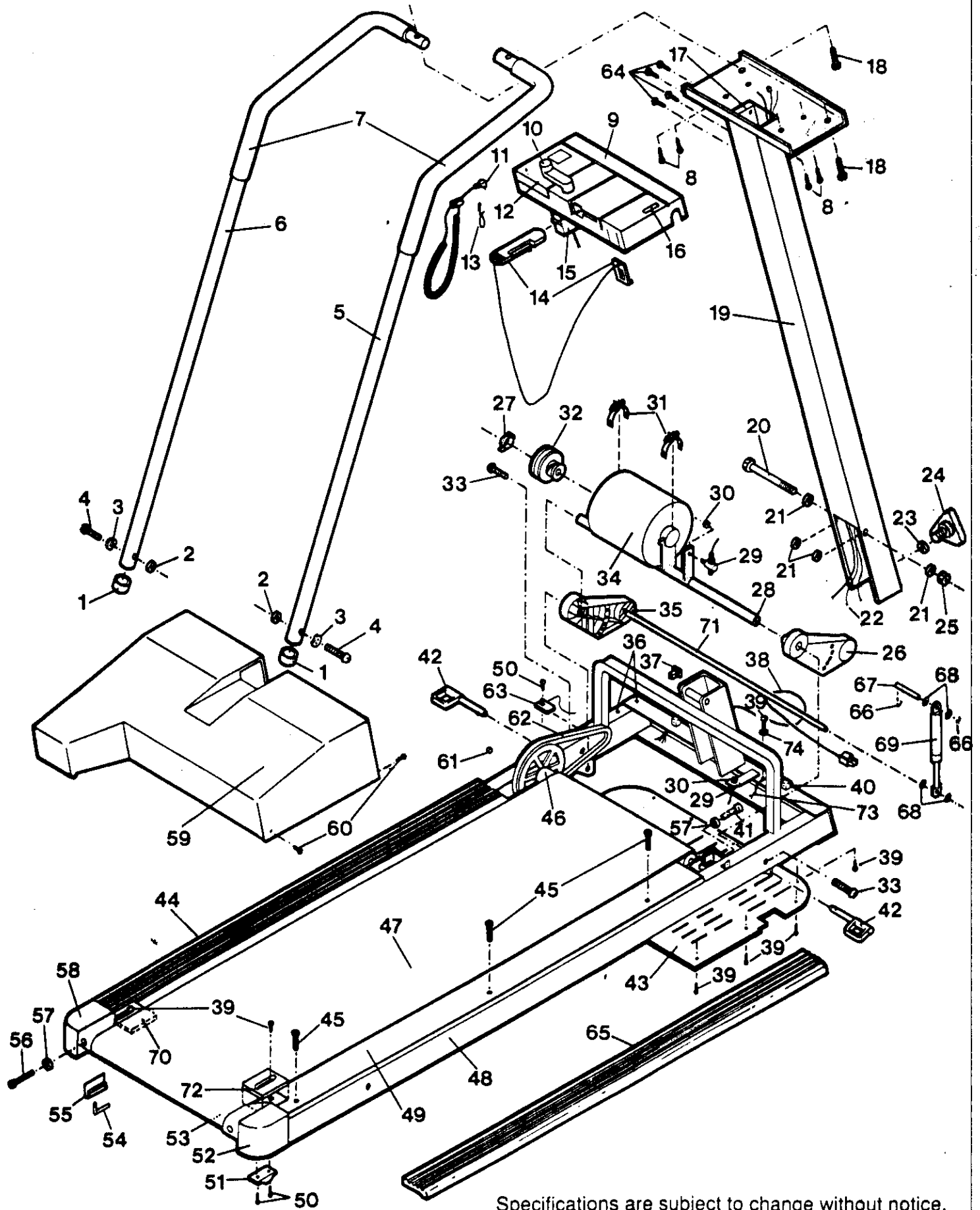


# EXPLODED DRAWING - MODEL NO. WL360503

Rev. 8/90



Specifications are subject to change without notice.

MODEL NUMBER: WL36050  
 VERSION: 03  
 PRODUCT NAME: CADENCE 2100  
 PRODUCT DESC: TREADMILL

MODEL/PART BOOK LISTING

PAGE 1  
 INI023P1

RUN DATE: 5/31/96  
 RUN TIME: 13:33:06

KEY NUMBER	PART NUMBER	DESCRIPTION	QUANTITY
1	040132	SIDE RAIL ENDCAP	2
2	014086	SIDE RAIL WASHER	2
3	014094	FORMED WASHER	2
4	013575	LONG SIDE RAIL BOLT	2
5	103534	RIGHT SIDE RAIL W/FOAM	1
.	100560	SIDE RAIL	1
.	041068	FOAM GRIP	1
.	040132	ENDCAP	1
6	NLA	LEFT SIDE RAIL W/FOAM	1
7	041068	FOAM GRIP	2
8	013322	CONSOLE SCREW	4
9	103533	CONSOLE ASSEMBLY	1
10	017066	SPEED CRANK	1
11	119946	PULSE MONITOR CLIP	1
12	128684	ELECTRONIC MONITOR	1
13	054013	CLOTHES CLIP	1
14	070853	SAFETY KEY/CLIP	1
15	026021	SPEED ADJUSTMENT ASSEMBLY	1
16	088001	INCLINE INDICATOR	1
17	100643	SPACER	1
18	013522	SHORT SIDE RAIL BOLT	2
19	100562	UPRIGHT POST	1
20	013368	HINGE BOLT	1
21	014079	HINGE WASHER	4
22	031184	ON/OFF WIRE	1
23	014156	LOCK KNOB WASHER	1
24	017088	LOCK KNOB	1
25	012081	PIVOT NUT	1
26	101754	RIGHT FRONT LEG	1
27	016026	HOSE CLAMP	1
28	NLA	SWIVEL SHAFT	1
29	072040	TENSION SWIVEL	2
30	012090	SWIVEL NUT	2
31	100648	MOTOR CLAMP ASSEMBLY	2
32	020051	MOTOR PULLEY	1
33	100541	SWIVEL SHAFT BOLT	2
34	104465	MOTOR	1
35	101753	LEFT FRONT LEG	1
36	016055	WIRE CLIP	3
37	031036	CIRCUIT BREAKER	1
38	031229	POWER CORD	1
39	013162	SMALL SCREW	13
40	008148	HOOD MOUNT ANCHOR	2
41	013275	FRONT ROLLER ADJ. BOLT	1
42	015055	HITCH PIN	2
43	100629	SAFETY COVER	1
44	100554	LEFT DECK RAIL	1
45	013494	PLATFORM SCREW	6
46	103075	FRONT ROLLER/PULLEY ASSY.	1
47	126254	WALKING BELT ASSEMBLY	1
.	124284	WALKING BELT	1
.	107109	NAIL	12
.	110585	REPLACEMENT INSTR.	1
48	NSP	FRAME	1

MODEL NUMBER: WL36050  
 VERSION: 03  
 PRODUCT NAME: CADENCE 2100  
 PRODUCT DESC: TREADMILL

MODEL/PART BOOK LISTING

PAGE 2  
 IN1023P1  
 RUN DATE: 5/31/96  
 RUN TIME: 13:33:06

KEY NUMBER	PART NUMBER	DESCRIPTION	QUANTITY
	.	100519 FRAME DECAL	2
49	053025	WALKING PLATFORM	1
50	013300	SCREW	5
51	005040	RUBBER BUMPER	2
52	101362	RIGHT ROLLER BRACKET	1
53	070084	REAR ROLLER	1
54	045010	ALLEN WRENCH	1
55	016028	WRENCH CLIP	1
56	013206	REAR ROLLER ADJ. BOLT	2
57	014063	ADJUSTMENT WASHER	3
58	101361	LEFT ROLLER BRACKET	1
59	103532	MOTOR HOOD W/DECAL *	1
	.	100642 MOTOR HOOD	1
	.	101350 MOTOR HOOD DECAL	1
60	100223	HOOD SCREW	4
61	100498	SENSOR MAGNET	1
62	100410	V-BELT	1
63	115569	SENSOR WIRE/REED SWITCH	1
64	013294	MOUNTING SCREW	4
65	100741	RIGHT DECK RAIL	1
66	054016	E-CLIP	2
67	015047	SHOCK PIN	1
68	012133	LARGE PUSH NUT	4
69	101140	INCLINE SHOCK	1
70	010206	ROLLER GUARD	2
71	101644	LEG SHAFT	1
72	.	SEE KEY #70	0
73	031182	GROUND WIRE	1
74	014142	STAR WASHER	1
#	.	NON-ILLUSTRATED PARTS	0
A	100519	FRAME DECAL	2
B	101605	SHOCK MOUNTING SPACER	2
C	101350	HOOD DECAL	1
D	102718	MONITOR OPERATION GUIDE	1
E	102085	OWNERS MANUAL	1
	102171	LITERATURE PACKET	1
	.	102085 OWNERS MANUAL	1
	.	102718 MON. OPER. GUIDE	1
	.	101378 CUST CONV. DECAL	1
	.	033007 PULSE CLIP	1
	.	054013 CLOTHES CLIP	1
	.	031203 SAFETY KEY	1
	.	017088 LOCK KNOB	1
	.	014156 LOCK KNOB WASHER	1
	.	100566 HARDWARE KIT	1
	.	016028 WRENCH CLIP	1
	.	045010 ALLEN WRENCH	1
	.	013575 2" SIDERAIL BOLT	2
	.	013522 1" SIDERAIL BOLT	2
	.	014094 FORMED WASHER	2
	.	014086 SIDERAIL WASHER	2