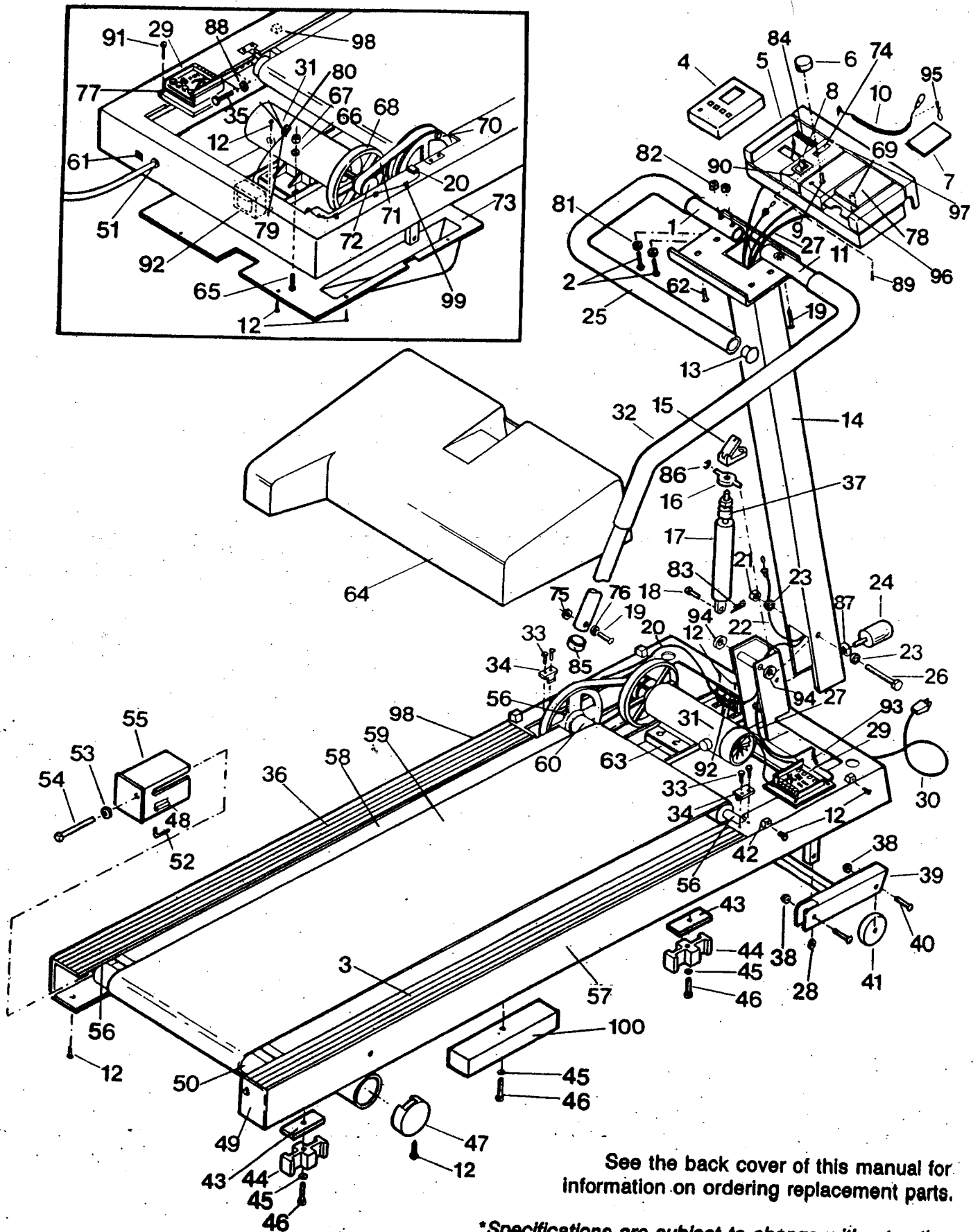


EXPLODED DRAWING - Model No. WL361103

Rev. 5/91



See the back cover of this manual for information on ordering replacement parts.

*Specifications are subject to change without notice.

PART LIST - Model No. WL361103

Rev. 5/91

Key No.	Qty.	Description	Key No.	Qty.	Description
1	1	Handrail	52	1	Allen Wrench
2	2	Handrail Bolt	53	2	Adjustment Bracket Washer
3	1	Right Foot Rail	54	2	Belt Adjustment Bolt
4	1	Electronic Monitor	55	1	Belt Adjustment Bracket (L)
5	1	Console	56	4	Roller Bushing
6	1	Speed Control Knob	57	1	Frame
7	1	Safety Card	58	1	Wood Platform
8	1	Incline Control Lever	59	1	Walking Belt
9	1	Potentiometer Assembly	60	1	Front Roller/Pulley
10	1	Ear Clip	61	1	Circuit Breaker
11	1	Side Rail	62	4	Screw
12	20	Small Screw	63	1	Motor Mount Spacer
13	1	Handrail Cap	64	1	Motor Hood
14	1	Handrail Upright	65	4	Motor Mount Bolt
15	1	Lift Cylinder Release	66	4	Motor Mount Washer
16	1	Threaded Pin	67	4	Motor Mount Nut
17	1	Lift Cylinder	68	1	Flywheel
18	1	Cylinder Pin	69	1	On/Off Switch
19	2	Side Rail Bolt	70	1	Magnet
20	1	Sensor Wire/Reed Switch	71	1	V-Belt
21	1	Pivot Nut	72	1	Motor Pulley
22	1	Incline Cable	73	1	Safety Cover
23	2	Pivot Washer	74	1	Incline Indicator
24	1	Upright Locking Knob	75	1	Side Rail Washer
25	1	Handrail Foam Grip	76	1	Molded Washer
26	1	Pivot Bolt	77	1	Aluminum Heat Sink
27	1	On/Off Switch Wire	78	1	Safety Switch Paddle
28	2	Incline Leg Washer	79	4	Adhesive Tie Block
29	1	Controller	80	4	Cable Tie
30	1	Power Cord	81	2	Handrail Washer
31	1	Motor	82	2	Handrail Nut
32	1	Side Rail Foam Grip	83	1	Cotter Pin
33	4	Roller Lock Screw	84	1	Fastener Strip
34	2	Front Roller Lock	85	1	Side Rail Endcap
35	1	Front Adjustment Bolt	86	1	E-Clip
36	1	Left Foot Rail	87	1	Upright Knob Washer
37	1	Rubber Spacer	88	1	Front Roller Washer
38	4	Locknut	89	1	Indicator Mount Screw
39	1	Incline Leg	90	1	Lever Housing
40	4	Leg Bolt	91	3	Sink Screw
41	2	Wheel	92	1	Choke
42	4	Hood Mount Anchor	93	1	Extension Wire
43	4	Rubber Platform Pad	94	2	Black Pivot Washer
44	4	Support Block	95	1	Clothes Clip
45	6	Support Washer	96	1	Round Indicator Light
46	6	Support Bolt	97	1	Bubble Screw
47	2	Rear Leg Endcap	98	6	Platform Bumper
48	1	Adhesive Tool Clamp	99	3	Sensor Wire Clip
49	1	Belt Adjustment Bracket (R)	100	2	Wood Support
50	1	Rear Roller	#	1	Monitor Operation Guide
51	1	Large Grommet	#	1	Owner's Manual