

# PART LIST—MODEL NO. WL361500

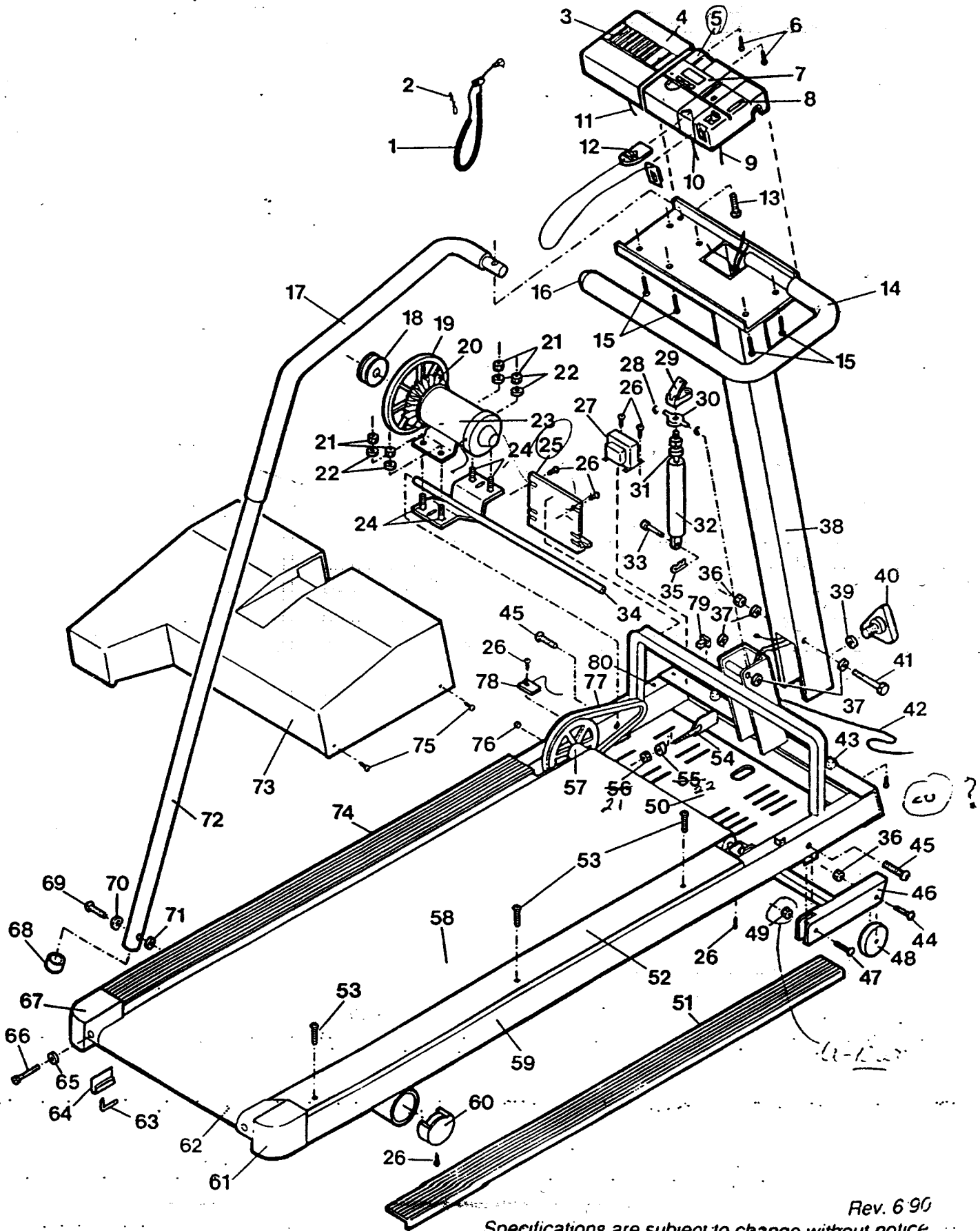
Key No.	Qty.	Description	Key No.	Qty.	Description
1	1	Pulse Ear Clip	42	1	Power Cord
2	1	Clothes Clip	43	2	Hood Mount Anchor
3	9	Small Knob	44	2	Wheel Mounting Bolt
4	1	Speed Assembly	45	2	Shaft Bolt
5	1	Console	46	1	Incline Leg
6	2	Monitor Screw	47	2	Leg Bolt
7	1	Monitor	48	2	Wheel
8	1	Incline Bubble	49	2	Nut
9	1	Incline Cable	50	1	Safety Cover
10	1	Power Switch Wire	51	1	Right Foot Rail
11	1	Speed Pot. Wire	52	1	Walking Platform
12	1	Safety Card/Clip	53	6	Platform Bolt
13	1	Short Side Rail Bolt	54	1	J-Bolt
14	1	Handrail Foam Grip	55	<del>1</del>	<del>Washer See key No 22</del>
15	6	Console Screw	56	<del>1</del>	<del>Nut See key No 21</del>
16	1	Handrail Endcap	57	1	Front Roller/Pulley
17	1	Foam Grip	58	1	Walking Belt
18	1	Pulley	59	1	Frame
19	1	Flywheel	60	2	Rear Leg Endcap
20	1	Fan	61	1	Right Adjustment Bracket
21	<del>4</del> 5	Motor Mount Nut	62	1	Rear Roller
22	<del>4</del> 5	Motor Mount Washer	63	1	Adjustment Tool
23	1	Motor	64	1	Tool Clamp
24	4	Motor Mount Bolt	65	<del>2</del> 3	Adjustment Washer
25	1	Controller	66	2	Adjustment Bolt
26	<del>16</del> 21	Small Screw	67	1	Left Adjustment Bracket
27	1	Choke	68	1	Side Rail Endcap
28	2	E-Clip	69	1	Long Side Rail Bolt
29	1	Lift Cylinder Release	70	1	Formed Washer
30	1	Cylinder Mount Bracket	71	1	Side Rail Washer
31	1	Lift Cushion	72	1	Side Rail
32	1	Lift Cylinder	73	1	Motor Hood
33	1	Cylinder Pin	74	1	Left Foot Rail
34	1	Motor Mount Bracket	75	<del>1</del> 4	Hood Screw
35	1	Cotter Pin	76	1	Magnet
36	3	Pivot Nut	77	1	V-Belt
37	4	Pivot Washer	78	1	Sensor, Wire/Reed Switch
38	1	Upright Post	79	1	Circuit Breaker
39	1	Upright Knob Washer	80	3	Wire Clip
40	1	Upright Knob	#	1	Power Cord Grommet
41	1	Pivot Bolt	#	1	Electronic Monitor Guide
			#	1	Owner's Manual

1 Green P.S.A.A. Bolt

Note: # indicates a non-illustrated part.

See the back cover of this manual for information on ordering additional parts.

# EXPLODED DRAWING—MODEL NO. WL361500



Rev. 6 90  
Specifications are subject to change without notice.