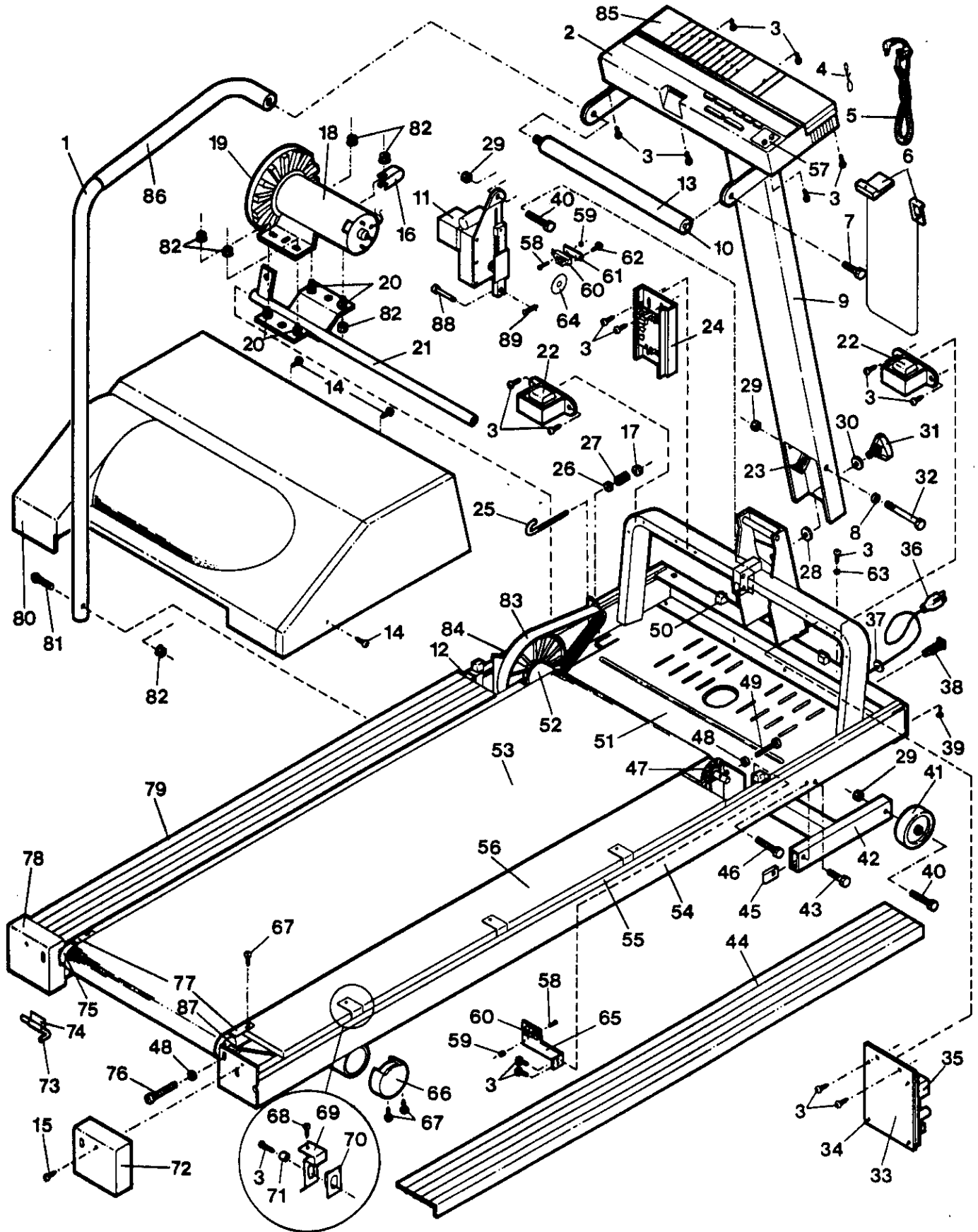


EXPLODED DRAWING—Model No. WL401521

Rev. 8/92



MODEL NUMBER: WL40152
 VERSION: 01
 PRODUCT NAME: EPIC 10PI
 PRODUCT DESC:

MODEL/PART BOOK LISTING

PAGE 1
 INI023P1
 RUN DATE: 9/19/96
 RUN TIME: 9:51:29

KEY NUMBER	PART NUMBER	DESCRIPTION	QUANTITY
1	110742	SIDE RAIL W/FOAM GRIP	1
	.	105268 SIDE RAIL	1
	.	103423 FOAM GRIP	1
2	111328	CONSOLE ASSEMBLY *	1
3	108080	SCREW	26
4	054013	CLOTHES CLIP	1
5	119946	PULSE/CLOTHES CLIP ASSY.	1
6	106337	SAFETY KEY/CLIP	1
7	104581	HANDRAIL BOLT	1
8	014087	FLAT WASHER	2
9	106289	UPRIGHT POST	1
10	NLA	HANDRAIL W/FOAM GRIP *	1
11	115523	INCLINE MOTOR	1
12	105237	LEFT HIGH DENSITY FOAM	1
13	110151	HANDRAIL FOAM GRIP	1
14	108404	HOOD SCREW	4
15	109250	ENDCAP SCREW	2
16	108474	MOTOR GROUND STRAP	1
17	012082	J-BOLT NUT	1
18	110739	MOTOR W/CONSUMER NOTICE *	1
	.	128417 MOTOR	1
	.	110285 CN-INSTALL INST.	1
18A	110740	MOTOR/PULY/FLY/FAN ASSY.*	1
	.	128417 MOTOR	1
	.	106114 PULY/FLWH/FAN ASSY	1
	.	110285 CN-INSTALL INST	1
19	106114	PULLEY/FLYWHEEL/FAN ASSY.	1
20	108473	MOTOR MOUNT ISOLATOR	4
21	110445	MOTOR MOUNT SWIVEL W/CN *	1
	.	105957 MOTOR SWIVEL	1
	.	110285 CN-INSTALL INST.	1
22	031238	CHOKE	2
23	106816	WIRE HARNESS	1
24	110447	CONTROLLER W/CN *	1
	.	108580 CONTROLLER	1
	.	110446 CN-INSTALL INST.	1
25	103855	J-BOLT	1
26	014041	TENSION WASHER	1
27	104514	TENSION SPRING	1
28	105388	UPRIGHT SPACER	1
29	012108	LOCKNUT	4
30	014156	LOCK KNOB WASHER	1
31	017088	LOCK KNOB	1
32	104925	PIVOT BOLT	1
33	106550	POWER SUPPLY PLATE	1
34	015071	PLASTIC STAND-OFF	4
35	108062	CIRCUIT BOARD ASSEMBLY	1
	.	118053 CIRCUIT BOARD	1
	.	015074 PLASTIC STAND-OFF	4
	.	110459 CN-INSTALL INST.	1
#	110463	POWER BOARD FUSE	1
36	031229	POWER CORD	1
37	019084	GROMMET	1
38	109382	CIRCUIT BREAKER	1

MODEL NUMBER: WL40152
 VERSION: 01
 PRODUCT NAME: EPIC 10PI
 PRODUCT DESC:

MODEL/PART BOOK LISTING

PAGE 2
 INI023P1

RUN DATE: 9/19/96
 RUN TIME: 9:51:29

KEY NUMBER	PART NUMBER	DESCRIPTION	QUANTITY
39	104623	PLASTIC FASTENER	12
40	103045	WHEEL/LIFT MOTOR BOLT	3
41	052014	FRONT WHEEL	2
42	109846	INCLINE LEG	1
43	013293	INCLINE LEG BOLT	2
44	110745	RIGHT FOOT RAIL *	1
45	012179	U-NUT	2
46	104624	SHAFT BOLT	2
47	107052	SPEED DISK ASSEMBLY	1
.	.	106981 SPEED DISK	1
.	.	103617 MOUNTING TAPE	1
.	.	109784 CN-INSTALL INST.	1
.	.	NOTE: IF THE SPEED DISK	0
.	.	IS NOT DAMAGED, JUST SEND	0
.	.	THE MOUNTING TAPE AND THE	0
.	.	ASSEMBLY INSTRUCTIONS BY	0
.	.	ORDERING PART #109903.	0
48	014127	ADJUSTMENT WASHER	3
49	106615	FRONT ROLLER ADJ. BOLT	1
50	008148	HOOD ANCHOR	4
51	NLA	SAFETY COVER	1
52	110738	FR RLR/SLV/PULY/DISK ASY*	1
.	.	108403 RLR/SLEEVE/PULLEY	1
.	.	110451 CN-INSTALL INST.	1
.	.	107052 SPEED DISK ASSY	1
53	130475	WALKING BELT ASSEMBLY	1
54	NSP	FRAME	1
55	NLA	RIGHT HIGH DENSITY FOAM	1
56	124584	WALKING PLATFORM ASSEMBLY	1
.	.	124583 WALKING PLATFORM	1
.	.	127860 NAIL	12
.	.	109782 CN-INSTALL INST.	1
.	.	NOTE: THIS ASSEMBLY HAS	0
.	.	BEEN CHANGED FROM THE	0
.	.	ORIGINAL WAXED BOARD	0
57	106695	INCLINE SWITCH INSERT	1
58	102959	SMALL BOLT	2
59	012152	SMALL NUT	2
60	102955	PHOTO INTERRUPTER SWITCH	2
61	109371	INCLINE SWITCH BRACKET *	1
62	109372	SWITCH BRACKET SCREW *	1
63	014157	GROUND WASHER	2
64	109370	OPTIC DISK	1
65	105783	SPEED SWITCH BRACKET	1
66	040156	REAR LEG ENDCAP	2
67	013162	LEG SCREW/GUARD SCREW	6
68	013141	PLATFORM SCREW	6
69	105261	PLATFORM CLAMP	6
70	105392	PLATFORM CLAMP BUSHING	6
71	105475	SMALL BUSHING	6
72	108291	RIGHT ENDCAP	1
73	045010	ALLEN WRENCH	1
74	016028	TOOL CLAMP	1
75	109788	REAR ROLLER W/CN *	1

MODEL NUMBER: WL40152
 VERSION: 01
 PRODUCT NAME: EPIC 10PI
 PRODUCT DESC:

MODEL/PART BOOK LISTING

RUN DATE: 9/19/96

RUN TIME: 9:51:29

KEY NUMBER	PART NUMBER	DESCRIPTION	QUANTITY
.	.	105264 REAR ROLLER	1
.	.	103847 CN-INSTALL INST.	1
76	105444	REAR ROLLER ADJ. BOLT	2
77	010206	ROLLER GUARD	2
78	108290	LEFT ENDCAP	1
79	110744	LEFT FOOT RAIL *	1
80	111329	MOTOR HOOD W/DECAL *	1
.	.	108289 MOTOR HOOD	1
.	.	108400 MOTOR HOOD DECAL	1
.	.	111330 WIRE DIAGRAM DECAL	1
81	105722	SIDE RAIL BOLT	1
82	105477	SIDE RAIL/MOTOR NUT	9
83	106939	BELT	1
84	105257	FRONT ROLLER INSERT	1
85	108209	CONSOLE MODULE	1
86	103423	SIDE RAIL FOAM GRIP	1
87	105000	ROLLER SPACER	2
88	100896	INCLINE MOTOR PIN	1
89	106334	COTTER PIN	1
.	.	NON-ILLUSTRATED PARTS:	0
#	108400	MOTOR HOOD DECAL	1
#	110121	OWNER'S MANUAL	1
.	110122	LITERATURE PACKET	1
.	.	110121 OWNER'S MANUAL	1
.	.	112589 PULSE EARCLIP	1
.	.	017088 LOCK KNOB	1
.	.	014156 LOCK KNOB WASHER	1
.	.	105458 HARDWARE KIT	1
.	.	016028 TOOL CLAMP	1
.	.	045010 ALLEN WRENCH	1
.	.	105722 3" SIDERAIL BOLT	1
.	.	105477 SIDERAIL NUT	1
.	.	*--THESE ARE ESTIMATED	0
.	.	COSTS!!!!	0