

PART LIST - Model No. WL402103

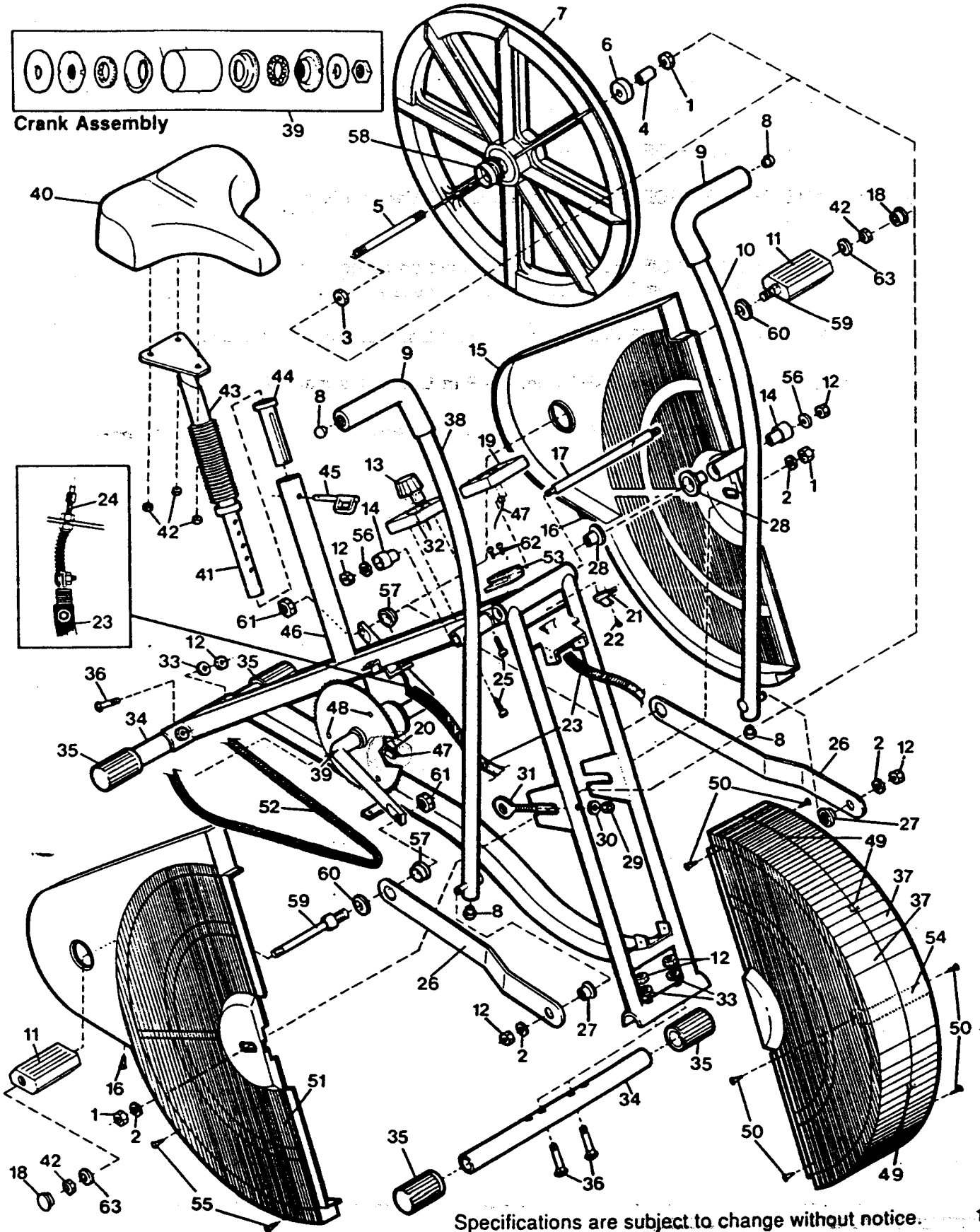
Rev. 8/90

Key No.	Qty.	Description	Key No.	Qty.	Description
1	3	Axle Nut	35	4	Stabilizer Cap
2	4	Flat Washer	36	4	Carriage Bolt
3	1	Thin AxleNut	37	2	Fan Shield
4	1	Axle Spacer	38	1	Right Handlebar
5	1	AxleShaft	39	1	Crank/Sprocket Assy.
6	1	Bearing	40	1	Seat
7	1	Fan w/Sprocket	41	1	Seat Post
8	4	Handlebar Endcap	42	5	Nut
9	2	Foam Grip	43	1	Bellows
10	1	Left Handlebar	44	1	Seat Post Sleeve
11	2	Pedal	45	1	Seat Pin
12	8	Locknut	46	1	Frame
13	1	Resistance Knob	47	1	Sensor Wire/Reed Switch
14	2	Outer Pivot Bushing	48	3	Sensor Magnet
15	1	Left Side Shield	49	4	Clip
16	2	Side Shield Screw	50	6	Fan Shield Screw
17	1	Pivot Shaft	51	1	Right Side Shield
18	2	Pedal Cap	52	1	Chain
19	1	Electronic Monitor	53	1	Monitor Clip
20	3	Adhesive Tape	54	1	Fan Shield Bracket
21	1	Strap Buckle	55	4	Self-Tapping Screw
22	1	Buckle Screw	56	2	Pivot Washer
23	1	Resistance Strap	57	2	Link Arm Bushing
24	1	Resistance Cable Assy.	58	1	Bearing Cup Assembly
25	2	Knob Screw	59	2	Pedal Shaft
26	2	Link Arm	60	2	Shaft Washer
27	2	Handlebar Bushing	61	2	Shaft Nut
28	4	Inner Pivot Bushing	62	2	Clip Screw
29	1	Adjustment Bolt	63	2	Washer
30	1	Formed Washer	#	1	Owner's Manual
31	1	Adjustment Bolt	#	1	Monitor Guide
32	1	Knob Housing	#	2	Socket Tool
33	4	Curved Washer	#	1	Screwdriver Tool
34	2	Stabilizer			

Note: "#" indicates a non-illustrated part. See the back cover for information on ordering replacement parts. Specifications are subject to change without notice.

EXPLODED DRAWING - Model No. WL402103

Rev. 8/90



Specifications are subject to change without notice. 11