

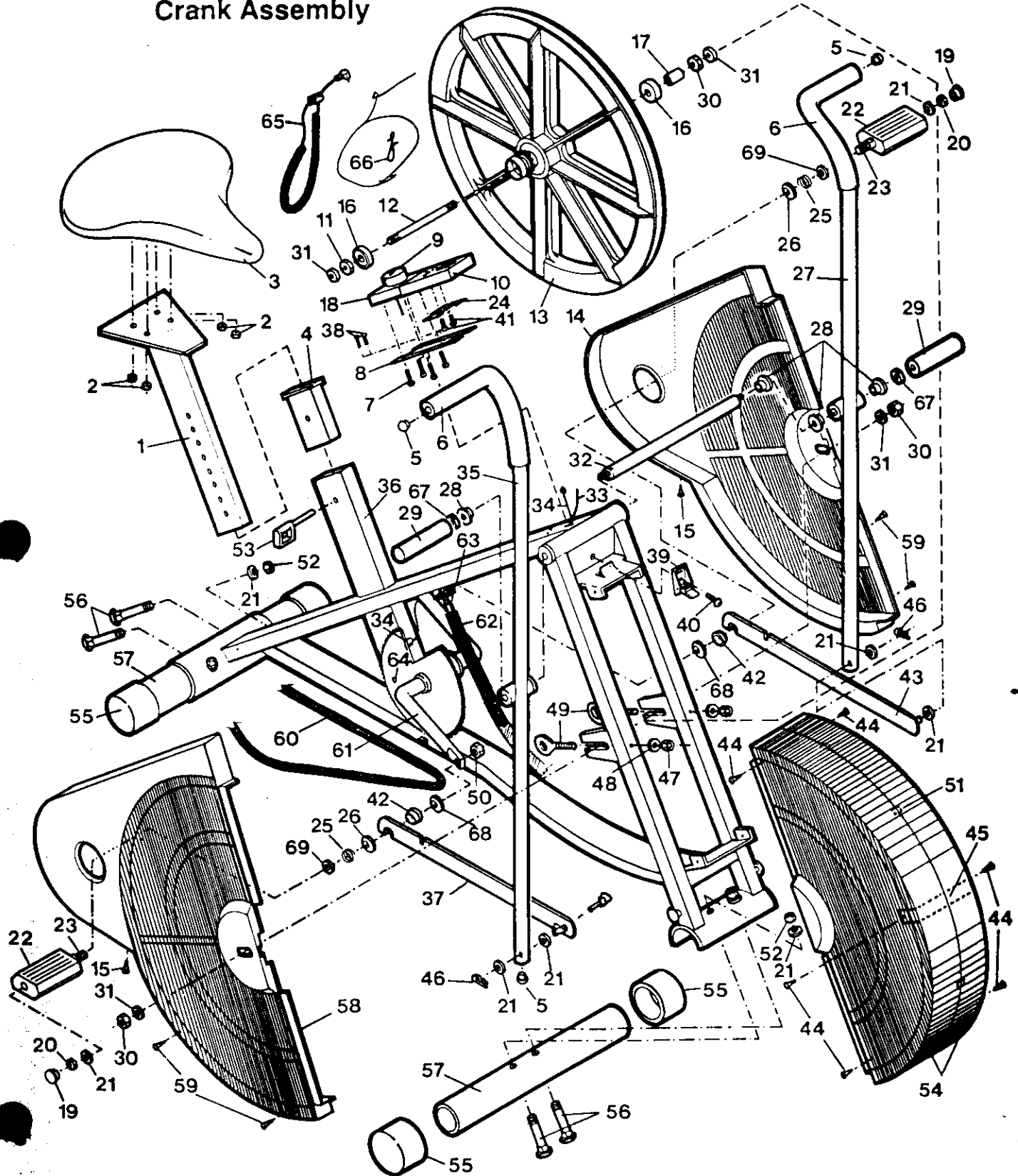
EXPLODED DRAWING - MODEL NO. WL402300

Rev 8/90

Specifications are subject to change without notice.



Crank Assembly



MODEL NUMBER: WL40230
VERSION: 00
PRODUCT NAME: AERO 800
PRODUCT DESC: BIKE

MODEL/PART BOOK LISTING

PAGE 1
INI023P1

RUN DATE: 2/22/95
RUN TIME: 16:02:26

KEY NUMBER	PART NUMBER	DESCRIPTION	QUANTITY
1	100293	SEAT POST	1
2	012096	SEAT NUT	4
3	100948	SEAT	1
4	100321	SEAT POST SLEEVE	1
5	102638	HANDLEBAR ENDCAP	4
6	100306	FOAM GRIP	2
7	101466	RESISTANCE HOUSING SCREW	4
8	101602	CONSOLE PLATE	1
9	101465	SEE #18	0
10	100910	ELECTRONIC MONITOR	1
11	.	NOT USED	0
12	100682	AXLE SHAFT	1
.	.	NOTE: IF KEY #16(BEARING)	0
.	.	IS SILVER USE 100682, IF	0
.	.	IT IS BRASS USE 104825.	0
13	106774	FAN ASSEMBLY (W/BUSHINGS)	1
14	101769	LEFT SIDE SHIELD	1
15	100998	SIDE SHIELD SCREW	2
16	018007	FAN BEARING	2
.	.	NOTE: IF KEY #16(BEARING)	0
.	.	IS SILVER USE 018007, IF	0
.	.	IT IS BRASS USE 104824.	0
17	100747	AXLE SPACER	1
.	.	NOTE: IF KEY #16(BEARING)	0
.	.	IS SILVER USE 100747, IF	0
.	.	IT IS BRASS USE 014073.	0
18	101465	RESISTANCE HOUSING ASSY.	1
19	040158	PEDAL CAP	1
20	012002	PEDAL NUT	2
21	014041	WASHER	10
22	100906	PEDAL	2
23	100905	PEDAL SHAFT	2
24	101603	MONITOR PLATE	1
25	100929	PEDAL SPRING	2
26	101460	PEDAL WASHER	2
27	100303	LEFT HANDLEBAR	1
28	100323	PIVOT BUSHING	6
29	100325	FOOT REST	2
30	012065	AXLE NUT	3
31	014041	AXLE WASHER	4
32	100324	PIVOT SHAFT	1
33	101465	SEE #18	1
34	100335	SENSOR WIRE/REED SWITCH	1
35	100299	RIGHT HANDLEBAR	1
36	NSP	FRAME	1
37	101030	R/L LINK ARM ASSEMBLY	2
38	013523	CONSOLE PLATE SCREW	2
39	050001	TENSION BUCKLE	1
40	101288	TENSION BUCKLE SCREW	1
41	101139	MONITOR SCREW	2
42	101036	LINK ARM BUSHING	2
43	.	SEE #37	0
44	100998	FAN SHIELD SCREW	6
45	008279	FAN SHIELD BRACKET	1

MODEL NUMBER: WL40230
 VERSION: 00
 PRODUCT NAME: AERO 800
 PRODUCT DESC: BIKE

MODEL/PART BOOK LISTING

PAGE 2
 INI023P1

RUN DATE: 2/22/95
 RUN TIME: 16:02:26

KEY NUMBER	PART NUMBER	DESCRIPTION	QUANTITY
46	109694	COTTER PIN	2
47	012006	ADJUSTMENT NUT	2
48	014041	ADJUSTMENT WASHER	2
49	013568	ADJUSTMENT BOLT	2
50	100904	SHAFT NUT	2
51	054035	FAN SHIELD CLIP	4
52	012082	LOCKNUT	4
53	100298	SEAT PIN	1
54	010199	FAN SHIELD	2
55	102637	STABILIZER CAP	4
56	100994	CARRIAGE BOLT	4
57	100288	STABILIZER	2
58	100545	RIGHT SIDESHIELD	1
59	100998	SELF-TAPPING SCREW	4
60	025071	CHAIN	1
61	100639	CRANK/SPROCKET ASSEMBLY	1
.	.	101115 CRANK	1
.	.	101116 SPROCKET	1
.	.	100498 MAGNET	1
.	.	110465 HARDWARE ASSEMBLY	1
.	.	018001 BEARING	2
.	.	019003 BEARING CUP	2
.	.	014008 FLAT WASHER	1
.	.	014009 KEYED WASHER	1
.	.	012010 NUT W/2 SLOTS	1
.	.	012011 NUT W/3 SLOTS	1
.	.	012012 HEX NUT	1
.	.	106881 CONSUMER NOTICE	1
62	100261	RESISTANCE STRAP	1
63	101465	SEE #18	0
64	100498	SENSOR MAGNET	1
65	112589	PULSE/CLOTHES CLIP ASSY.	1
66	054013	CLOTHES CLIP	1
67	014066	PIVOT SHAFT LOCK WASHER	2
68	101494	SHAFT WASHER	2
69	101459	SPRING WASHER	2
.	.	NON-ILLUSTRATED PARTS:	0
A	101324	PHILLIPS DRIVER/WRENCH	1
B	102398	SHORT SOCKET TUBE	1
C	045028	LONG SOCKET TUBE	1
D	101457	L/R SIDE SHIELD DECAL	2
E	101425	L/R LINK ARM DECAL	2
F	101463	MONITOR OPERATION GUIDE	1
G	101462	OWNERS MANUAL	1
.	101035	PEDAL ASSEMBLY KIT	1
.	.	100905 PEDAL SHAFT	2
.	.	100906 PEDAL	2
.	.	100904 SHAFT NUT	2
.	.	101494 FLAT WASHER	2
.	.	101036 LINK ARM BUSHING	2
.	.	101460 PEDAL WASHER	2
.	.	101459 SPRING WASHER	2
.	.	100929 PEDAL SPRING	2
.	.	014041 WASHER	2

MODEL NUMBER: WL40230
VERSION: 00
PRODUCT NAME: AERO 800
PRODUCT DESC: BIKE

MODEL/PART BOOK LISTING

PAGE
INI023
RUN DATE: 2/22/9
RUN TIME: 16:02:2

KEY NUMBER	PART NUMBER	DESCRIPTION	QUANTIT
.	.	012002 PEDAL NUT	2
.	.	040158 PEDAL CAP	2
101037	.	LITERATURE PACKET	1
.	.	101462 OWNERS MANUAL	1
.	.	101463 MON. OPER. GUIDE	1
103539	.	HARDWARE KIT	1
.	.	100994 CARRIAGE BOLT	4
.	.	014041 WASHER	8
.	.	012082 LOCKNUT	4
.	.	100298 SEAT PIN	1
.	.	014066 LOCK WASHER	2
.	.	102398 SOCKET TUBE	1
.	.	101324 PH DRIVER/WRENCH	1
.	.	045028 LONG SOCKET TUBE	1
.	.	101508 PULSE EARCLIP	1