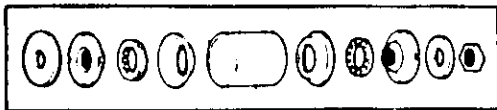
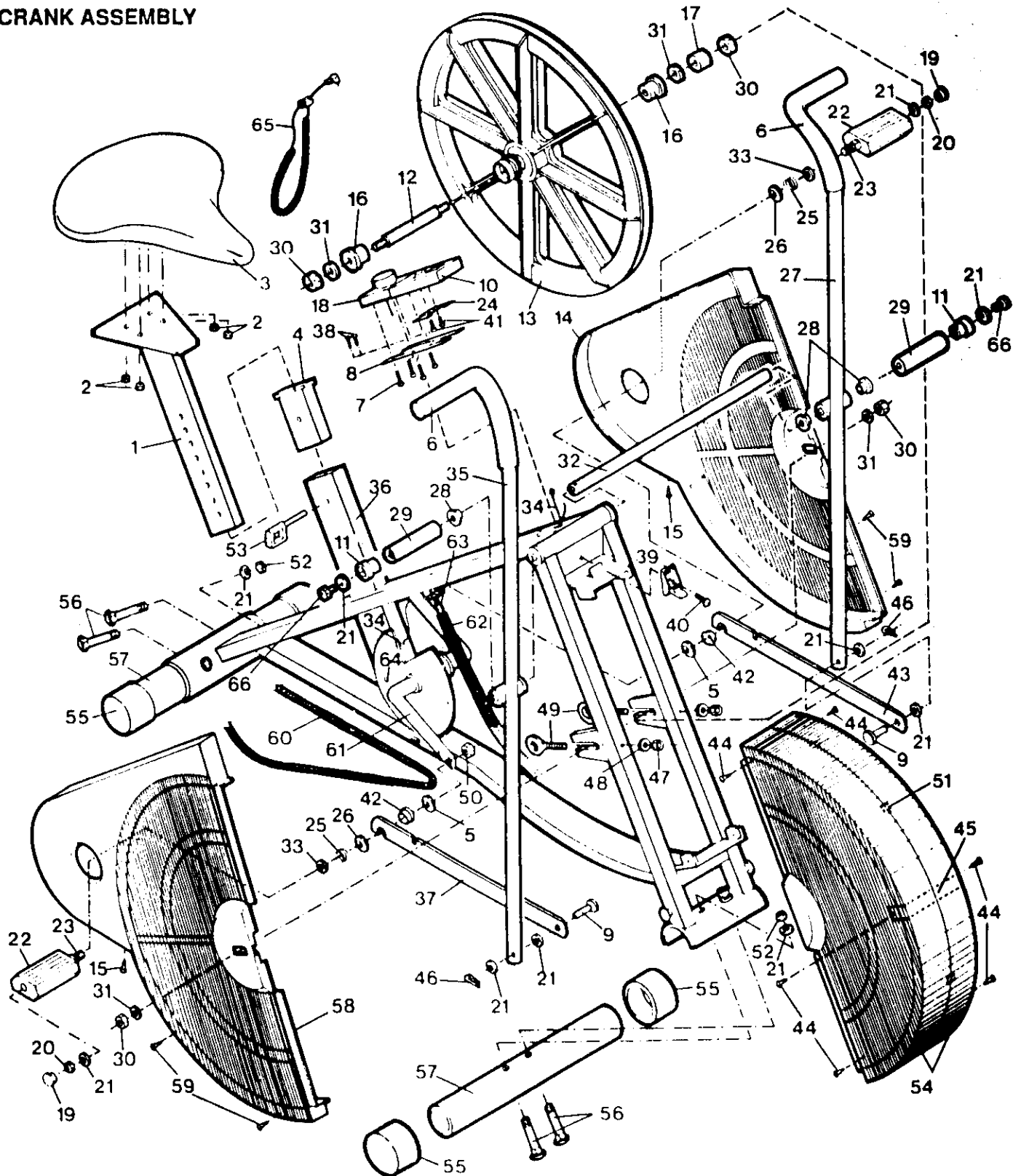


# EXPLODED DRAWING - Model No. WL402302

Rev. 7/91



## CRANK ASSEMBLY



Specifications are subject to change without notice.

MODEL NUMBER: WL40230  
VERSION: 02  
PRODUCT NAME: AERO 800  
PRODUCT DESC: BIKE

MODEL/PART BOOK LISTING

PAGE 1

IN1023P1

RUN DATE: 2/22/95

RUN TIME: 16:02:38

KEY NUMBER	PART NUMBER	DESCRIPTION	QUANTITY
1	100293	SEAT POST	1
2	012096	SEAT NUT	4
3	105243	SEAT	1
4	100321	SEAT POST SLEEVE	1
5	101494	SHAFT WASHER	2
6	105194	HANDLEBAR FOAM GRIP	2
7	101466	RESISTANCE KNOB SCREW	4
8	101602	CONSOLE PLATE	1
9	101778	ARM PIN	2
10	100910	ELECTRONIC MONITOR	1
11	100689	OUTER PIVOT BUSHING	2
12	104825	AXLE SHAFT	1
13	106774	FAN ASSEMBLY (W/BUSHINGS)	1
14	101769	LEFT SIDE SHIELD	1
15	100998	SIDE SHIELD SCREW	2
16	104824	BUSHING	2
17	100747	AXLE SPACER	1
.	.	NOTE: IF KEY #16 IS	0
.	.	SILVER USE 100747, IF IT	0
.	.	IS BRASS USE 014073.	0
18	101465	RESISTANCE KNOB ASSY.	1
19	040158	PEDAL CAP	2
20	012002	PEDAL NUT	2
21	014041	WASHER	12
22	100906	PEDAL	2
23	100905	PEDAL SHAFT	2
24	101603	MONITOR PLATE	1
25	100929	PEDAL SPRING	2
26	101460	PEDAL WASHER	2
27	100303	LEFT HANDLEBAR	1
28	100323	PIVOT BUSHING	8
29	102563	FOOT REST	2
30	012065	AXLE NUT	4
31	014129	AXLE WASHER	4
.	.	NOTE: IF KEY #16 IS	0
.	.	SILVER USE 014129, IF IT	0
.	.	IS BRASS USE 014041.	0
32	102561	PIVOT SHAFT	1
33	101459	SPRING WASHER	2
34	100335	SENSOR WIRE/REED SWITCH	1
35	100299	RIGHT HANDLEBAR	1
36	NSP	FRAME	1
37	101030	L/R LINK ARM ASSEMBLY	2
38	013523	CONSOLE PLATE SCREW	2
39	050001	TENSION BUCKLE	1
40	101288	TENSION BUCKLE SCREW	1
41	101139	MONITOR SCREW	2
42	101036	LINK ARM BUSHING	2
43	.	SEE #37	0
44	100998	FAN SHIELD SCREW	6
45	008279	FAN SHIELD BRACKET	1
46	109694	COTTER PIN	2
47	012096	ADJUSTMENT NUT	2
48	014041	ADJUSTMENT WASHER	2

MODEL NUMBER: WL40230  
 VERSION: 02  
 PRODUCT NAME: AERO 800  
 PRODUCT DESC: BIKE

MODEL/PART BOOK LISTING

PAGE 2  
 INI023P1

RUN DATE: 2/22/95  
 RUN TIME: 16:02:38

KEY NUMBER	PART NUMBER	DESCRIPTION	QUANTITY
49	104583	ADJUSTMENT BOLT	2
50	100904	SHAFT NUT	2
51	054035	FAN SHIELD CLIP	4
52	012082	LOCK NUT	4
53	100298	SEAT PIN	1
54	010199	FAN SHIELD	2
55	100290	STABILIZER CAP	4
56	100994	CARRIAGE BOLT	4
57	100288	STABILIZER	2
58	100545	RIGHT SIDE SHIELD	1
59	100998	SELF-TAPPING SCREW	4
60	025071	CHAIN	1
61	100639	CRANK/SPROCKET ASSEMBLY	1
.	.	101115 CRANK	1
.	.	101116 SPROCKET	1
.	.	100498 MAGNET	1
.	.	110465 HARDWARE KIT	1
.	.	018001 BEARING	2
.	.	019003 BEARING CUP	2
.	.	014008 FLAT WASHER	1
.	.	014009 KEYED WASHER	1
.	.	012010 NUT W/2 SLOTS	1
.	.	012011 NUT W/3 SLOTS	1
.	.	012012 HEX NUT	1
.	.	106881 CONSUMER NOTICE	1
62	100261	RESISTANCE STRAP	1
63	.	SPRING ASSY. SEE #18	0
64	100498	SENSOR MAGNET	1
65	112589	PULSE/CLOTHES CLIP ASSY.	1
66	102737	FOOT REST BOLT	2
.	.	NON-ILLUSTRATED PARTS:	0
A	045028	SOCKET TUBE	1
B	101324	PHILLIPS DRIVER/WRENCH	1
C	101457	L/R SIDE SHIELD DECAL	2
D	101425	L/R LINK ARM DECAL	2
E	101463	MONITOR OPERATION GUIDE	1
G	105918	OWNERS MANUAL	1
.	105656	HARDWARE ASSY & PARTS	1
.	.	100910 ELECTRONIC MONITOR	1
.	.	101506 LINK ARM	2
.	.	102561 HB PIVOT SHAFT	1
.	.	100288 STABILIZER	2
.	.	100290 STABILIZER ENDCAP	4
.	.	102563 FOOT REST	2
.	.	100689 HB MTG. BUSHING	2
.	.	103538 HARDWARE KIT	1
.	.	100298 SEAT PIN	1
.	.	100994 CARRIAGE BOLT	4
.	.	014041 ADJUSTMENT WSHR	12
.	.	012082 LOCK NUT	4
.	.	102737 FOOT REST BOLT	2
.	.	101778 CLEVIS PIN	2
.	.	101109 HAIRPIN COTTER	2
.	.	045028 SOCKET TUBE	1

MODEL NUMBER: WL40230  
VERSION: 02  
PRODUCT NAME: AERO 800  
PRODUCT DESC: BIKE

MODEL/PART BOOK LISTING

PAGE 3

INI023P

RUN DATE: 2/22/95

RUN TIME: 16:02:38

KEY NUMBER	PART NUMBER	DESCRIPTION	QUANTITY
.		101324 PH DRIVER/WRENCH	1
.		101035 PEDAL ASSEMBLY	1
.		100905 PEDAL SHAFT	2
.		100906 PEDAL	2
.		100904 SHAFT NUT	2
.		101494 FLAT WASHER	2
.		101036 LINK ARM BUSHING	2
.		101460 PEDAL WASHER	2
.		101459 SPRING WASHER	2
.		100929 PEDAL SPRING	2
.		014073 FLAT WASHER	2
.		012002 PEDAL NUT	2
.		040158 PEDAL CAP	2
.		105919 LITERATURE PACKET	1
.		105918 OWNERS MANUAL	1
.		101463 MON. OPER. GUIDE	1
.		101508 PULSE EARCLIP	1