

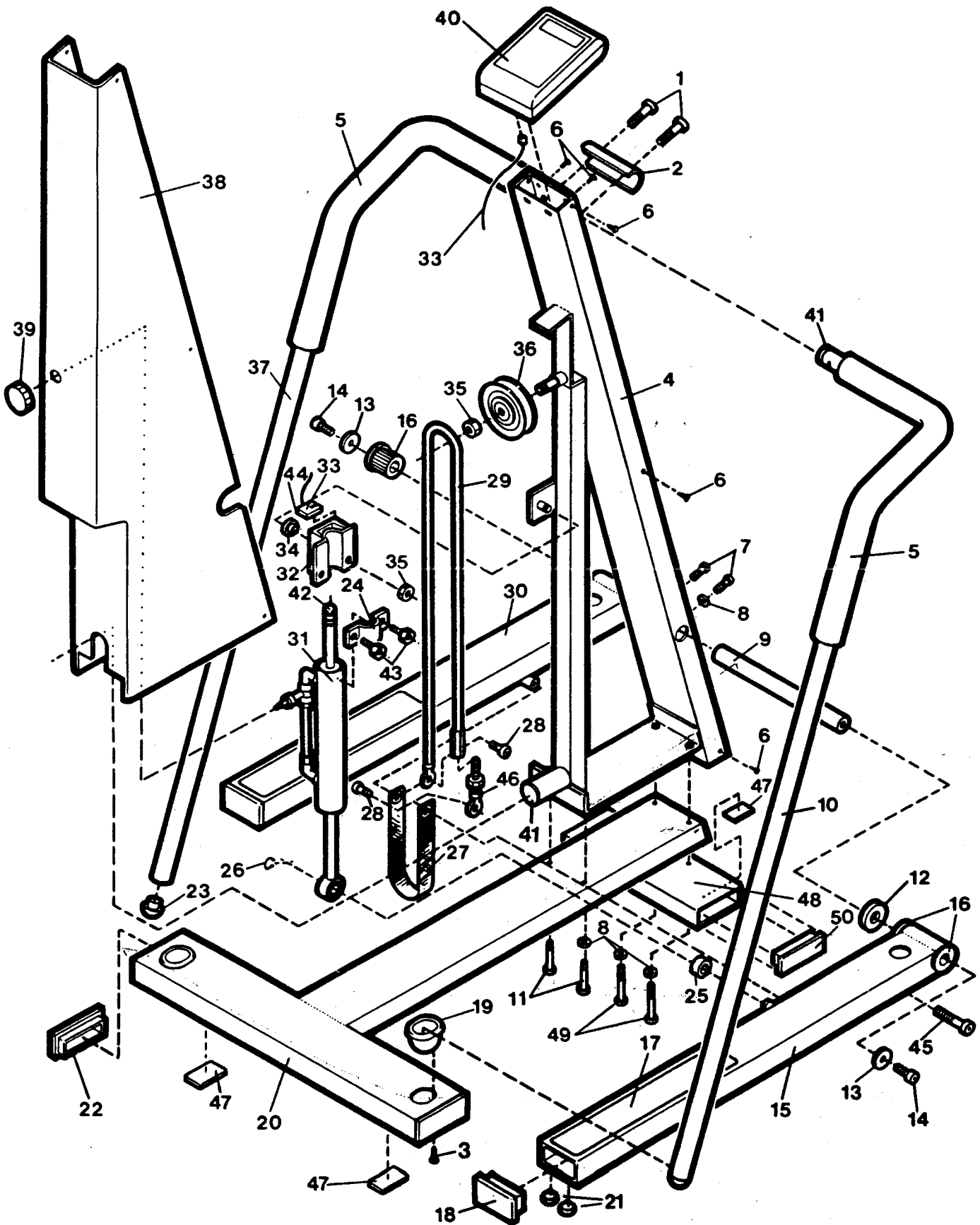
PART LIST - Model No. WL510501

Rev. 5/90

Key No.	Qty.	Description	Key No.	Qty.	Description
1	2	U-Clamp Bolt	26	1	E-Clip
2	1	U-Clamp	27	1	Strap
3	2	Socket Mounting Screw	28	2	Cable Bolt
4	1	Frame	29	1	Cable
5	2	Foam Grip	30	1	Left Pedal
6	8	Small Screw	31	1	Resistance Cylinder
7	2	Shaft Bolt	32	1	Cylinder Mount
8	6	Washer	33	1	Sensor Wire/Reed Switch
9	1	Pivot Shaft	34	1	Top Cylinder Washer
10	1	Right Handlebar	35	2	Jam Nut
11	2	Base Bolt	36	1	Pulley
12	2	Spacer	37	1	Left Handlebar
13	2	Fiat Washer	38	1	Plastic Cover
14	2	Pivot Bolt	39	1	Resistance Knob
15	1	Right Pedal	40	1	Electronic Monitor
16	4	Pedal Bushing	41	3	Flat Endcap
17	2	Grip Tape	42	1	Magnet
18	2	Pedal Endcap	43	2	Bracket Bolt
19	2	Handlebar Socket	44	4	Adhesive Tape
20	1	Base	45	2	Pedal Bolt
21	4	Rubber Leg Pad	46	1	Eye Bolt w/Jam Nut
22	2	Base Endcap	47	4	Base Pad
23	2	Bullet Endcap	48	1	Front Base
24	1	Cylinder Mounting Bracket	49	2	Front Base Bolt
25	1	Cylinder Spacer	50	2	Front Base Endcap
			#	1	3/16" Allen Wrench
			#	1	5/32" Allen Wrench
			#	1	Owner's Manual
			#	1	Monitor Operation Guide

Note: "#" indicates a non-illustrated part

See the back cover of this manual for part ordering information.



*Specifications are subject to change without notice.