

PART LIST- Model No. WL510900

Rev. 8/90

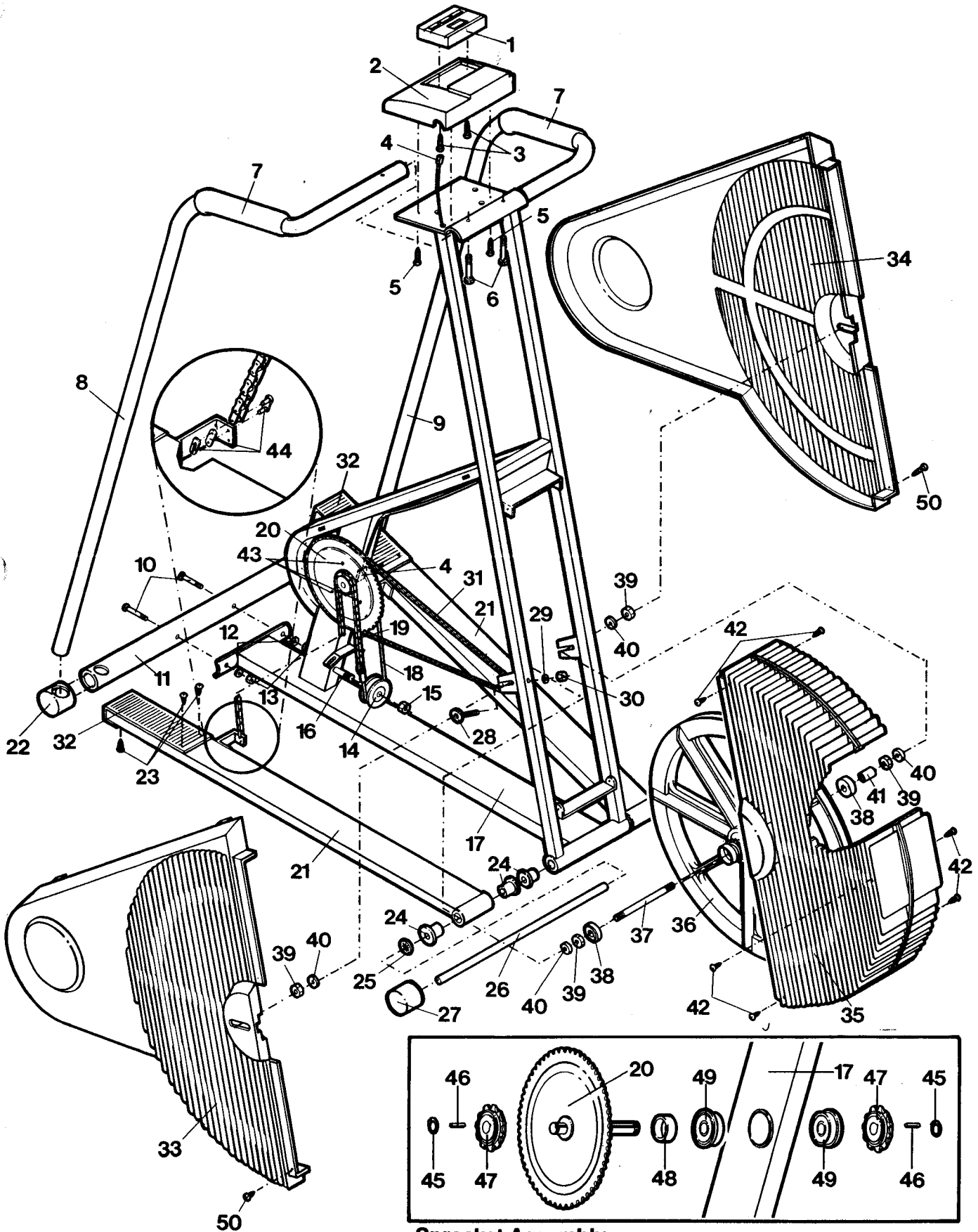
Key No.	Qty.	Description	Key No.	Qty.	Description
1	1	Electronic Monitor	28	1	Fan Adjustment Bolt
2	1	Console	29	1	Fan Adjustment Washer
3	2	Monitor Screw	30	1	Fan Adjustment Nut
4	1	Sensor Wire/Reed Switch	31	1	Fan Chain
5	3	Console Screw	32	2	Pedal Pad
6	2	Handrail Bolt	33	1	Right Side Shield
7	2	Handrail Foam	34	1	Left Side Shield
8	1	Right Handrail	35	2	Fan Shield
9	1	Left Handrail	36	1	Fan
10	2	Stabilizer Bolt	37	1	Fan Shaft
11	1	Stabilizer	38	2	Fan Bearing
12	2	Stabilizer Washer	39	4	Fan Nut
13	2	Stabilizer Nut	40	4	Fan Washer
14	1	Pulley	41	1	Fan Spacer
15	1	Pulley Nut	42	6	Fan Shield Screw
16	1	Pulley Bolt	43	3	Magnet
17	1	Frame	44	4	Master Link Assembly
18	1	Pulley Cable	45	2	Retaining Ring
19	2	Pedal Chain	46	2	Key
20	1	Sprocket	47	2	Freewheel
21	2	Pedal	48	1	Bearing Spacer
22	2	Stabilizer Endcap	49	2	Bearing
23	6	Pedal Pad Screw	50	2	Side Shield Screw
24	6	Pedal Bushing	#	1	Owner's Manual
25	2	Push Washer	#	1	Monitor Operation Guide
26	1	Pedal Shaft	#	1	Allen Wrench
27	2	Pedal Shaft Endcap			

Note: "#" indicates a non-illustrated part. Specifications are subject to change without notice. See the back cover for information on ordering replacement parts.

EXPLODED DRAWING- Model No. WL510900

Rev. 8/90

Specifications are subject to change without notice.



Sprocket Assembly