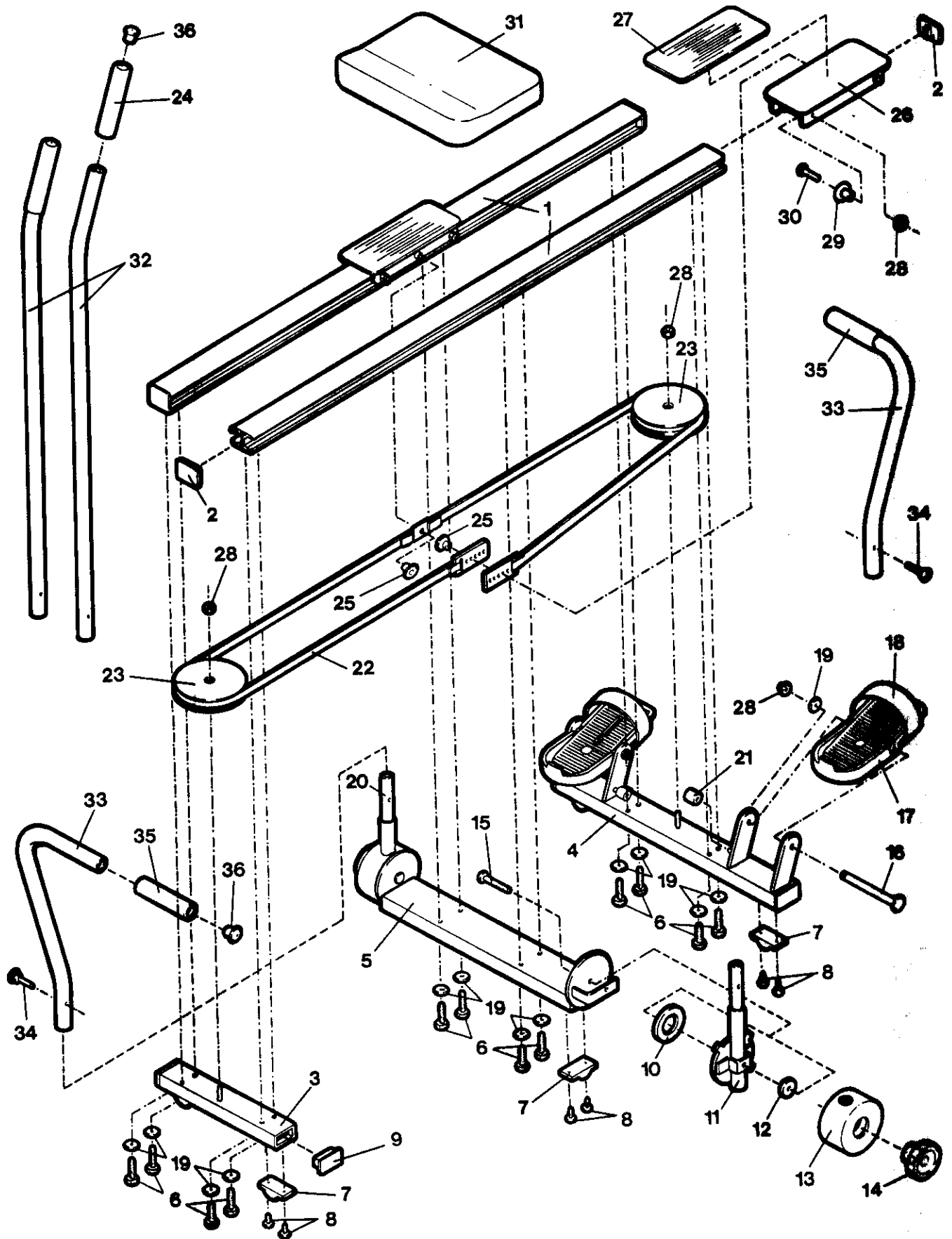


EXPLODED DRAWING—Model No. WL610520

Rev. 9/92



MODEL NUMBER: WL61052
 VERSION: 00
 PRODUCT NAME: POWERGLIDE 50
 PRODUCT DESC:

MODEL/PART BOOK LISTING

PAGE 1
 INI023P1

RUN DATE: 3/08/93
 RUN TIME: 10:56:06

KEY NUMBER	PART NUMBER	DESCRIPTION	QUANTITY
1	111231	RAIL W/DECAL	2
	.	111230 RAIL	1
	.	109828 RAIL DECAL	1
2	111232	RAIL ENDCAP	4
3	111233	REAR RAIL SUPPORT	1
4	111234	FRONT RAIL SUPPORT	1
5	111258	CENTER RAIL SUPPORT W/CN	1
	.	111235 CENTER RAIL SPPRT	1
	.	111254 CONSUMER NOTICE	1
6	111236	RAIL SUPPORT BOLT	12
7	005040	RUBBER FOOT	6
8	013129	RUBBER FOOT SCREW	12
9	111237	RAIL SUPPORT ENDCAP	4
10	111259	RESISTANCE PAD W/CN	2
	.	061023 RESISTANCE PAD	1
	.	111253 CONSUMER NOTICE	1
11	111260	RIGHT ARM MOUNT W/CN	1
	.	111238 RIGHT ARM MOUNT	1
	.	111262 CONSUMER NOTICE	1
12	111270	NYLON WASHER	2
13	111263	ARM MOUNT COVER W/CN	2
	.	040163 ARM MOUNT COVER	1
	.	111262 CONSUMER NOTICE	1
14	108105	RESISTANCE KNOB	2
15	111264	CARRIAGE BOLT W/CN	2
	.	108674 CARRIAGE BOLT	1
	.	111262 CONSUMER NOTICE	1
16	111229	FOOT REST SHAFT	2
17	111239	FOOT REST	2
18	035034	FOOT REST STRAP	2
19	014041	WASHER	14
20	111261	LEFT ARM MOUNT W/CN	1
	.	111249 LEFT ARM MOUNT	1
	.	111262 CONSUMER NOTICE	1
21	111240	SKI PEDAL BUMPER	2
22	111241	RESISTANCE STRAP	1
23	111242	PULLEY	2
24	111248	SKI POLE FOAM GRIP	2
25	111243	STRAP KNOB	2
26	111244	SKI PEDAL W/PAD	2
27	100801	SKI PEDAL PAD	2
28	012002	NYLOCK NUT	12
29	111245	SKI PEDAL WHEEL	8
30	013111	SKI PEDAL BOLT	8
31	042029	SEAT	1
32	111246	SKI POLE	2
33	111247	ROWER ARM	2
34	015063	PULL PIN	2
35	041004	ROWER ARM FOAM GRIP	2
36	040010	ENDCAP	4
.	.	NON ILLUSTRATED PARTS:	0
A	109828	RAIL DECAL	2
B	109824	OWNER'S MANUAL	1
	111251	LITERATURE PACKET	1

MODEL NUMBER: WL61052
VERSION: 00
PRODUCT NAME: POWERGLIDE 50
PRODUCT DESC:

MODEL/PART BOOK LISTING

RUN DATE: 3/08/93

RUN TIME: 10:56:06

KEY NUMBER	PART NUMBER	DESCRIPTION	QUANTITY
.		109824 OWNER'S MANUAL	1
.		111252 HARDWARE KIT	1
.		111236 RAIL SUPPORT BOLT	10
.		014041 WASHER	10
.		015063 PULL PIN	2
.		111243 STRAP KNOB	2