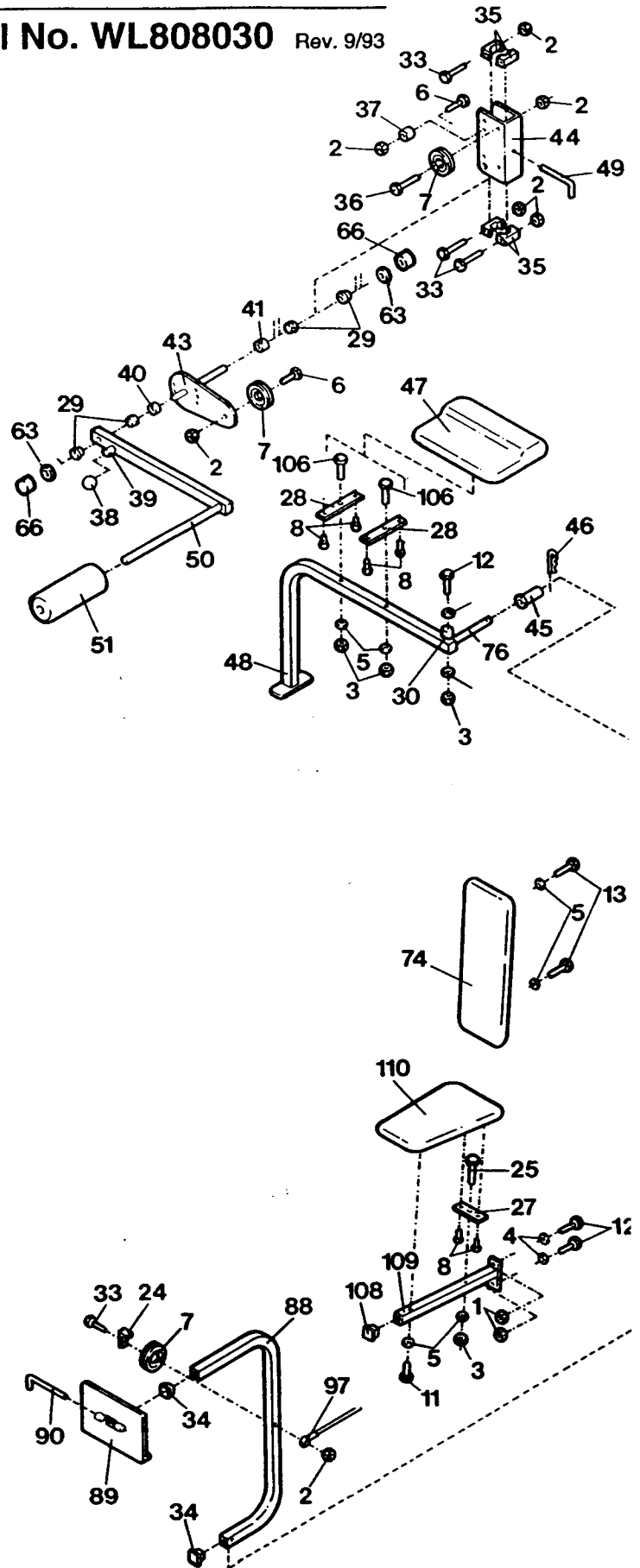


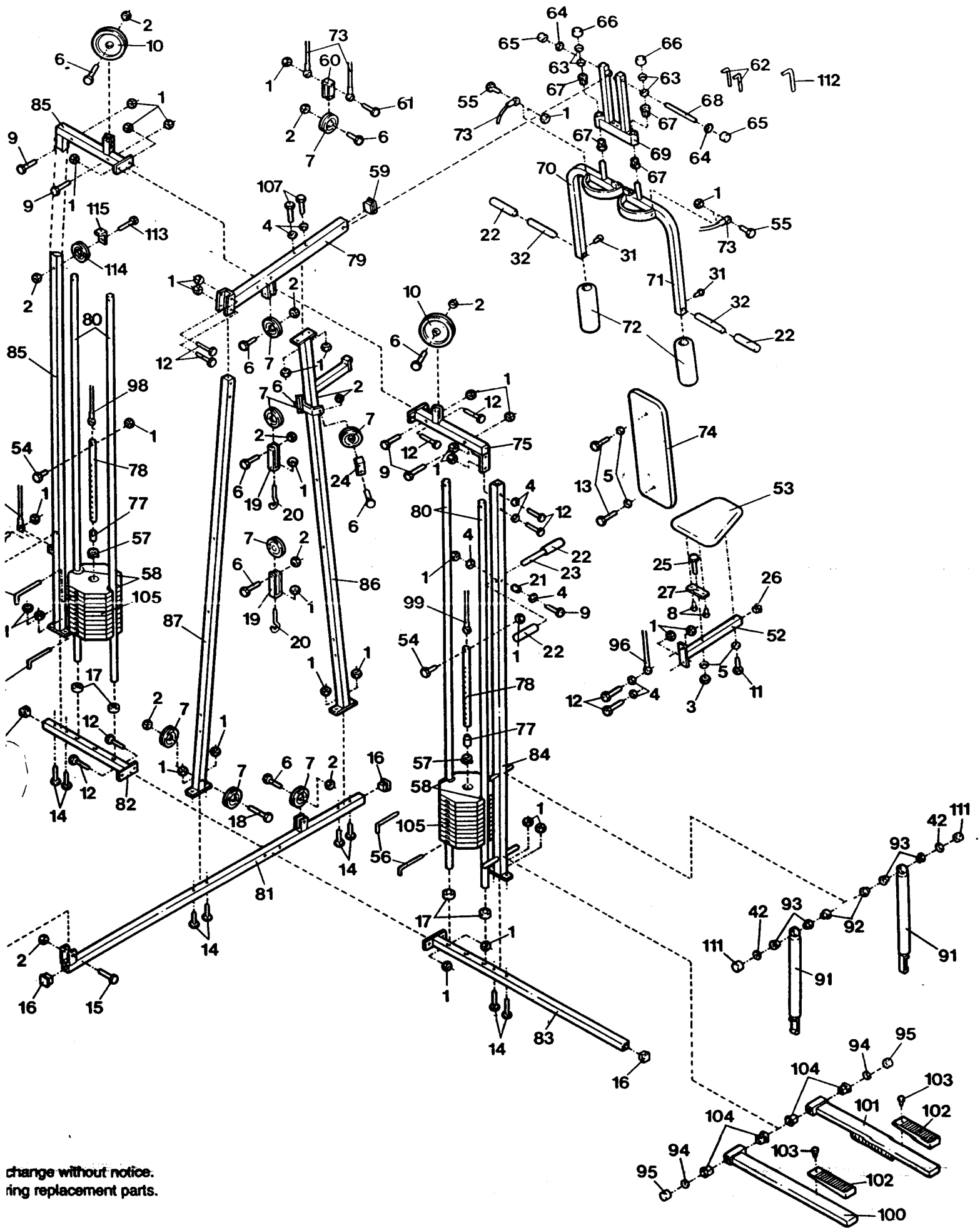
PART LIST/EXPLODED DRAWING Model No. WL808030

Rev. 9/93

Key No.	Qty.	Description	Key No.	Qty.	Description
1	35	5/16" Nylock Nut	60	1	Short "U" Bracket
2	19	3/8" Nylock Nut	61	1	5/16" x 2" Bolt
3	5	1/4" Nylock Nut	62	2	6" "L" Pin
4	8	5/16" Washer	63	6	3/4" Retainer
5	12	1/4" Washer	64	2	1/2" Retainer
6	11	3/8" x 1 3/4" Bolt	65	2	1/2" Plastic Cap
7	12	3" Pulley	66	4	3/4" Plastic Cap
8	8	1/4" x 3/4" Screw	67	4	Arm Bushing
9	9	5/16" x 2 1/2" Bolt	68	1	1/2" Axle
10	2	6" Pulley	69	1	Moment Arm
11	2	1/4" x 2" Screw	70	1	Left Arm
12	13	5/16" x 2 3/4" Bolt	71	1	Right Arm
13	4	1/4" x 2 1/2" Screw	72	2	Arm Pad
14	8	5/16" x 2 1/2" Crg. Bolt	73	2	32" Cable
15	1	3/8" x 2 3/4" Bolt	74	2	Backrest
16	4	2" x 2" Cap	75	2	Weight Top
17	4	Bumper	76	1	Bench Pin
18	1	3/8" x 4 1/2" Bolt	77	2	Weight Tube Cap
19	2	Long "U" Bracket	78	2	Weight Tube
20	2	Hook	79	1	Frame Top
21	1	1/2" x 9/16" Bushing	80	4	Weight Guide
22	4	Grip	81	1	Base
23	1	Stepper Handle	82	1	Short Stabilizer
24	4	Cable Trap	83	1	Long Stabilizer
25	5	1/4" x 2 1/4" Crg. Bolt	84	1	Stepper Upright
26	1	1 1/2" x 1 1/2" Cap	85	1	Cam Upright
27	2	6" Plate	86	1	Arm Upright
28	2	10" Plate	87	1	Leg Press Upright
29	4	Cam Bushing	88	1	Leg Press Frame
30	1	1/2" x 5/8" Bushing	89	1	Leg Press Plate
31	2	3/4" Screw	90	1	7" "L" Pin
32	2	Handle	91	2	Resistance Cylinder
33	4	3/8" x 3 3/4" Bolt	92	2	Cylinder Spacer
34	2	1 3/4" x 1 3/4" Cap	93	4	Cylinder Bushing
35	4	Cam Sleeve Bushing	94	4	1" Retainer
36	1	3/8" x 5" Bolt	95	4	1" Plastic Cap
37	1	Cam Roller	96	1	110" Cable
38	1	Cam Knob	97	1	137" Cable
39	1	Knob Assembly	98	1	195" Cable
40	1	Metal Spacer	99	1	98" Cable
41	1	Plastic Spacer	100	1	Left Pedal
42	2	5/8" Retainer	101	1	Right Pedal
43	1	Cam	102	2	Foot Pad
44	1	Cam Sleeve	103	2	1/2" Screw
45	1	Bench Sleeve	104	4	Square Bushing
46	1	Cotter Pin	105	20	Weight
47	1	Bench	106	2	1/4" x 2 1/2" Crg. Bolt
48	1	Bench Frame	107	2	5/16" x 3 1/2" Bolt
49	1	6 3/4" "L" Pin	108	1	1 1/2" x 2" Cap
50	1	Cam Arm	109	1	Large Seat Frame
51	1	Cam Arm Pad	110	1	Large Seat
52	2	Small Seat Frame	111	2	5/8" Plastic Cap
53	2	Small Seat	112	1	5" "L" Pin
54	2	5/16" x 1 1/2" Bolt	113	1	3/8" x 4" Bolt
55	3	5/16" x 3/4" Bolt	114	1	Wide 3" V-Pulley
56	2	7" "L" Pin w/Tab	115	1	Wide Cable Trap
57	2	Weight Sleeve	#	1	Owner's Manual
58	40	Weight Guide	#	1	Part List/Exp. Drwg.
59	1	2" x 3" Cap	#	1	Exercise Guide



Note: "*" indicates a non-illustrated part. Specifications are subject to change. See the back cover of the owner's manual for information about



change without notice.
 ring replacement parts.