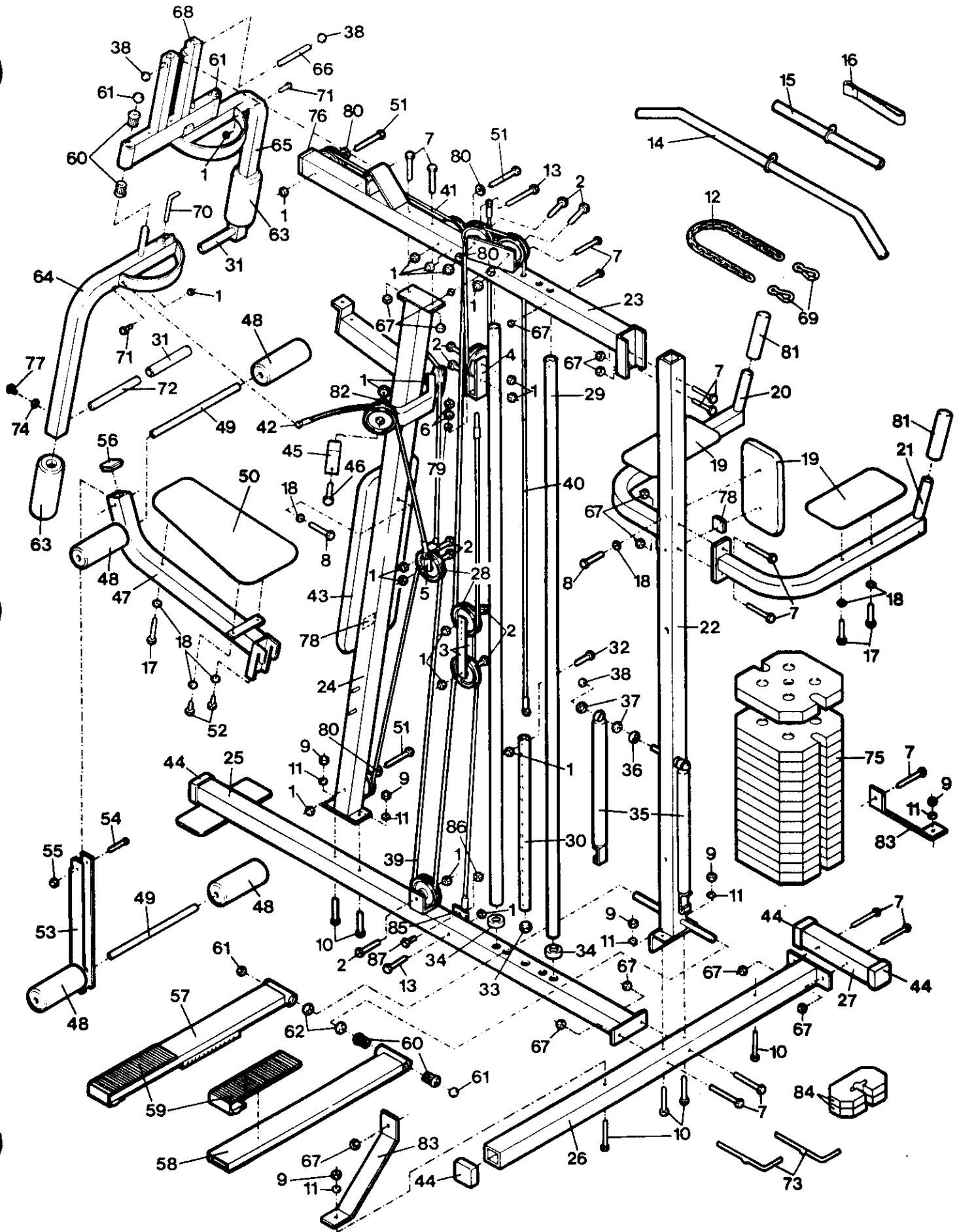


# EXPLODED DRAWING—Model No. WL820920

Rev. 10/92



MODEL NUMBER: WL82092  
 VERSION: 00  
 PRODUCT NAME: AEROBIC FORCE  
 PRODUCT DESC:

MODEL/PART BOOK LISTING

PAGE 1  
 INI023P1  
 RUN DATE: 4/16/97  
 RUN TIME: 12:56:46

KEY NUMBER	PART NUMBER	DESCRIPTION	QUANTITY
1	012002	8MM NYLOCK NUT	19
2	013105	8MM X 50MM BOLT	9
3	110903	I-PLATE	2
4	110901	LONG U-BRACKET *	1
5	112524	SHORT U-BRACKET	1
6	101138	5/16" ADJUSTMENT NUT	2
7	110942	10MM X 70MM BOLT	13
8	013341	1/4" X 2 1/2" BOLT	2
9	012159	3/8" NUT	6
10	123653	3/8" X 3" CARR. BOLT	6
11	014038	10MM LOCK WASHER	6
12	105315	CHAIN	1
13	013050	8MM X 70MM BOLT	2
14	105310	LAT BAR	1
15	110780	ROWER BAR	1
16	107048	ANKLE STRAP	1
17	013498	1/4" X 2" BOLT	5
18	014062	1/4" LOCK WASHER	9
19	111528	VKR PAD W/FASTENER PAD	3
20	110807	LEFT VKR ARM	1
21	110804	RIGHT VKR ARM *	1
22	111532	REAR UPRIGHT ASSEMBLY	1
23	111533	TOP BRACE ASSEMBLY *	1
24	111535	FRONT UPRIGHT W/FASTENER*	1
25	110888	BOTTOM BRACE *	1
26	110894	STABILIZER *	1
27	110897	SHORT STABILIZER *	1
28	110919	PULLEY W/SLEEVE	12
29	110801	WEIGHT GUIDE *	2
30	112188	WT SELECTOR TUBE W/CAP *	1
31	111388	ARM HANDLE HANDGRIP *	2
32	013130	8MM X 40MM BOLT	1
33	110916	WT SELECTOR TUBE ENDCAP *	1
34	110918	WEIGHT GUIDE BUMPER *	2
35	111304	RESISTANCE CYL. ASSEMBLY	2
36	111524	RESIST CYL SPCR ASSEMBLY*	2
37	111305	RESIST CYL BSHG W/AXLECAP	2
38	103903	AXLECAP, 1/2" DOME	4
39	109455	LOWER CABLE, 131.9" *	1
40	109459	WEIGHT STACK CABLE, 81.5"*	1
41	109454	UPPER CABLE, 110.6"	1
42	109456	BUTTERFLY CABLE, 31.5"	2
43	111911	BACKREST W/FASTENER PAD	1
44	110917	ENDCAP	4
45	115257	CABLE GUIDE	2
46	013598	8MM X 60MM BOLT	2
47	111536	SEAT SUPPORT ASSEMBLY *	1
48	103805	LEG LEVER PAD	4
49	108726	PAD MOUNTING TUBE	2
50	112076	SEAT	1
51	110941	8MM X 90MM BOLT	3
52	013456	1/4" X 3/4" BOLT	2
53	111840	LEG LEVER ASSEMBLY *	1
54	111181	LEG LEVER PIN W/AXLECAP	1

MODEL NUMBER: WL82092  
 VERSION: 00  
 PRODUCT NAME: AEROBIC FORCE  
 PRODUCT DESC:

MODEL/PART BOOK LISTING

PAGE 2  
 INI023P1

RUN DATE: 4/16/97  
 RUN TIME: 12:56:46

KEY NUMBER	PART NUMBER	DESCRIPTION	QUANTITY
55	100150	1/2" AXLECAP	2
56	103833	SEAT SUPPORT ENDCAP	1
57	111857	LEFT PEDAL ASSEMBLY, 24"L (NOTE: ABOUT 300 UNITS USED ASSY #111594, 27"L)	1 0
58	111856	RIGHT PEDAL ASSEMBLY, 24"L (NOTE: ABOUT 300 UNITS USED ASSY #111595, 27"L)	1 0
59	106872	PEDAL COVER W/TAPE	2
60	109867	BUSHINGS W/AXLECAP	4
61	103735	AXLECAP, 3/4" DOME	4
62	109868	PEDAL SPACER W/AXLECAP	2
63	110877	BUTTERFLY PAD *	2
64	111525	LEFT BUTTERFLY ARM W/CAP*	1
65	111526	RIGHT BTRFLY ARM W/CAP	1
66	109880	AXLE W/AXLECAP	1
67	012033	10MM NYLOCK NUT	13
68	111531	ARM SUPPORT ASSEMBLY	1
69	103087	CABLE CLIP	2
70	108739	PULL PIN	2
71	013111	8MM X 30MM BOLT	2
72	108757	ARM HANDLE	2
73	110915	WEIGHT PIN *	2
74	014088	STAR WASHER	2
75	109393	10 LB WEIGHT	14
76	110913	TOP BRACE ENDCAP	1
77	107428	3/4" SCREW	2
78	062035	FASTENER PAD	2
79	014041	5/16" WASHER	1
80	014087	3/8" WASHER	3
81	104567	VKR FOAM GRIP	2
82	110957	PULLEY SLEEVE	12
83	111565	STEPPER BRACE	2
84	109392	5 LB WEIGHT (NOTE: SOME UNITS USED 4-2 1/2 LB PLATES - NSP)	2 0
85	105306	CABLE PLATE	1
86	012108	3/8" NYLOCK NUT	1
87	105134	3/8 X 3/4" BOLT	1
.	.	NON-ILLUSTRATED PARTS: (NOTE: FOR ASSEMBLY OF REPLACEMENT PARTS REFER TO OWNERS MANUAL)	0 0 0
A	112742	GUIDE ROD SLEEVE ASSEMBLY	1
B	104838	GREASE	1
C	NSP	ARM SUPPORT DECAL *	1
D	NSP	LOW PULY DECAL (ON UPRT) *	1
E	NSP	STEPPER DECAL (ON UPRT) *	1
F	NLA	TOP BRACE DECAL	1
G	NSP	HIGH PULLEY DECAL *	1
H	109591	RESIST. CYL. DECAL SET	1
I	NSP	LEG LEVER DECAL	1
J	NLA	LEFT PEDAL DECAL	1
K	NLA	RIGHT PEDAL DECAL	1

MODEL NUMBER: WL82092  
 VERSION: 00  
 PRODUCT NAME: AEROBIC FORCE  
 PRODUCT DESC:

MODEL/PART BOOK LISTING

RUN DATE: 4/16/97

RUN TIME: 12:56:46

KEY NUMBER	PART NUMBER	DESCRIPTION	QUANTITY
L	NSP	VKR DECAL *	1
M	109431	90 LB VINYL WEIGHTKIT	1
.	.	(NOTE: THIS WEIGHTKIT	0
.	.	SHIPS WITH 9 PIECES OF	0
.	.	KEY #75.)	0
N	109432	50 LB VINYL WEIGHTKIT	1
.	.	(NOTE: THIS WEIGHTKIT	0
.	.	SHIPS WITH 5 PIECES OF	0
.	.	KEY #75.)	0
N	111222	PART ID CHART	1
O	109974	EXERCISE MANUAL	1
P	110946	OWNER'S MANUAL	1
.	110945	LITERATURE PACKET	1
.	.	109974 EXERCISE MANUAL	1
.	.	110946 OWNER'S MANUAL	1
.	.	111222 PART ID CHART	1
.	.	111255 CN-CABLE PLATE	1
.	.	111268 CN-UPRIGHT SPPRT	1
.	109435	CABLE KIT, SINGLE STACK	1
.	.	109459 WT STACK CBL, 81.5"	1
.	.	109454 UPPER CABLE, 110.6"	1
.	.	109455 LOWER CABLE, 131.9"	1
.	.	109456 BTRFLY CBL, 31.5"	2
.	.	101138 ADJUSTMENT NUT	2
.	.	014041 WASHER, 5/16"	1
.	.	*--THESE ARE ESTIMATED	0
.	.	COSTS!!!!	0